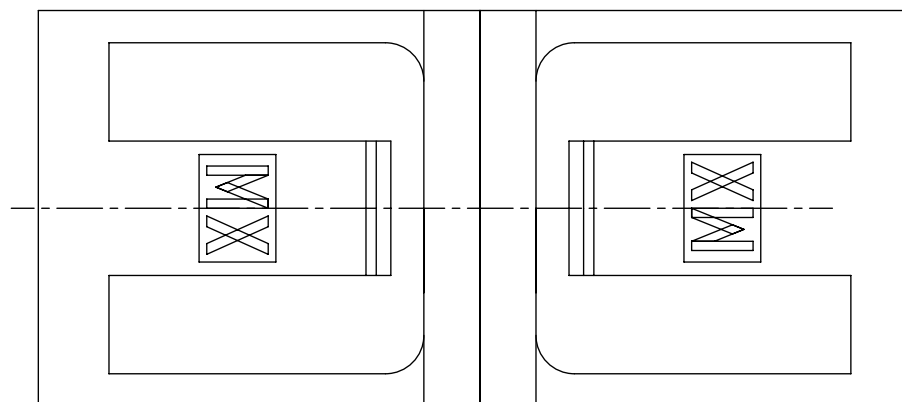
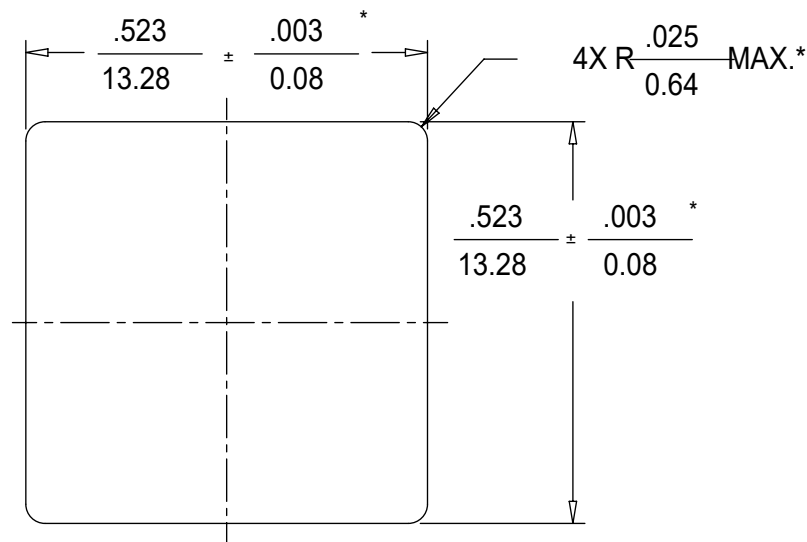
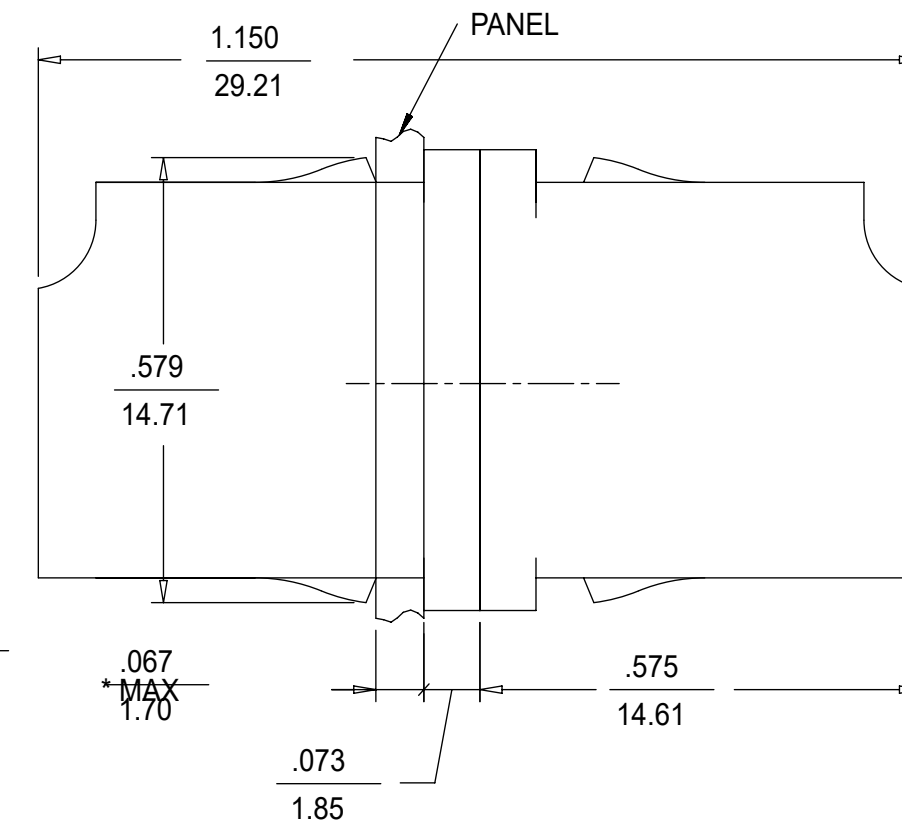
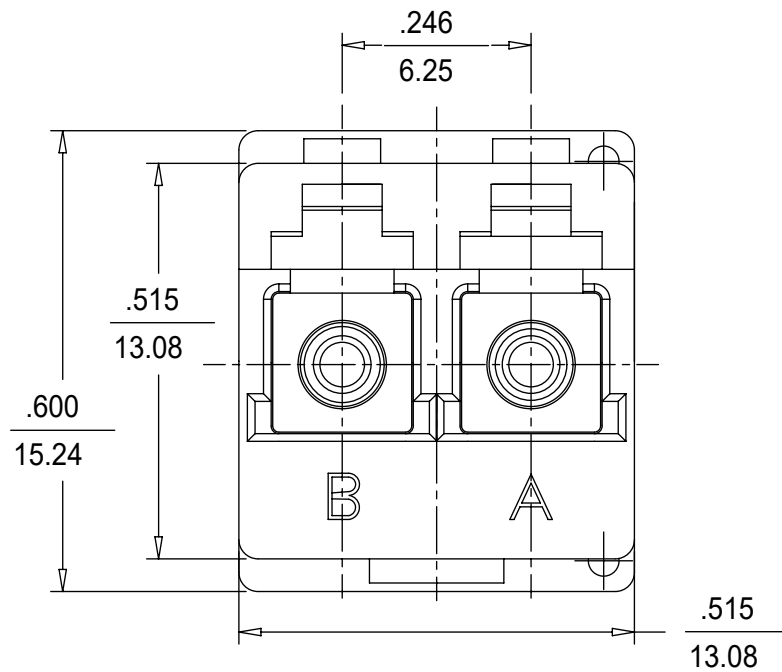


ADAPTER P/N	COLOR	SPLIT SLEEVE MATERIAL
106125-1100	BLUE	ZIRCONIA - ZrO ₂
106125-0110	BEIGE	
106125-0111*		
106125-1150	GREEN	
106125-0100	BLUE	
106125-1110	BEIGE	
106125-0120	AQUA	
106125-1170	BLACK	



(DUST CAPS ARE NOT SHOWN)

RECOMMENDED PANEL CUTOUT

PANEL THICKNESS $\frac{.067}{1.70}$ MAX.

NOTES:

1. ALL DIMENSIONS ARE FOR REFERENCE ONLY. EXCEPT WHEN MARKED WITH (*).

*2. P/N 106125-0111 SHALL BE BULK PACKED IN QUANTITIES OF 100pcs.

3. ALL POLYMERIC MATERIALS USED IN THIS ADAPTER HAVE UL94 RATING OF V-0.

FUNCTIONAL SYMBOLS	THIS DRAWING CONTAINS INFORMATION THAT IS PROPRIETARY TO MOLEX ELECTRONIC TECHNOLOGIES, LLC AND SHOULD NOT BE USED WITHOUT WRITTEN PERMISSION		CURRENT REV DESC:		molex
	DIMENSION UNITS	SCALE			
$\nabla = 0$	INCH/MM	4:1			LC DUPLEX ADAPTER
$\nabla = 0$	GENERAL TOLERANCES (UNLESS SPECIFIED)				
$\nabla = 0$	ANGULAR TOL $\pm 0.5^\circ$				PRODUCT CUSTOMER DRAWING
DIVISIONAL SYMBOLS	4 PLACES	\pm			
	3 PLACES	\pm			DOCUMENT NUMBER
	2 PLACES	\pm			
	1 PLACE	\pm			SD-106125-X1X0
	0 PLACES	\pm			
	DRAFT WHERE APPLICABLE MUST REMAIN WITHIN DIMENSIONS		THIRD ANGLE PROJECTION	DRAWING	SERIES
				B-SIZE	106125
			MATERIAL NUMBER	CUSTOMER	SHEET NUMBER
			SEE TABLE	GENERAL MARKET	1 OF 1