

### General Description

The AOZ9510QI is an integrated half-bridge gate driver with smart functions. The device includes one half-bridge gate driver, capable of driving high-side and low-side N-channel MOSFETs. Using two AOZ9510QI for single phase motor driver and three AOZ9510QI for three phase motor drivers.

The device features multiple protection functions such as VCC UVLO, and over temperature protection. Moreover, AOZ9510QI provides adjustable gate drive sink and source current control. By doing this control, user can optimize performances of EMI and efficiency.

The AOZ9510QI is available in a 4mm×4mm QFN-23L package and is rated over a -40°C to +85°C ambient temperature range.

### Features

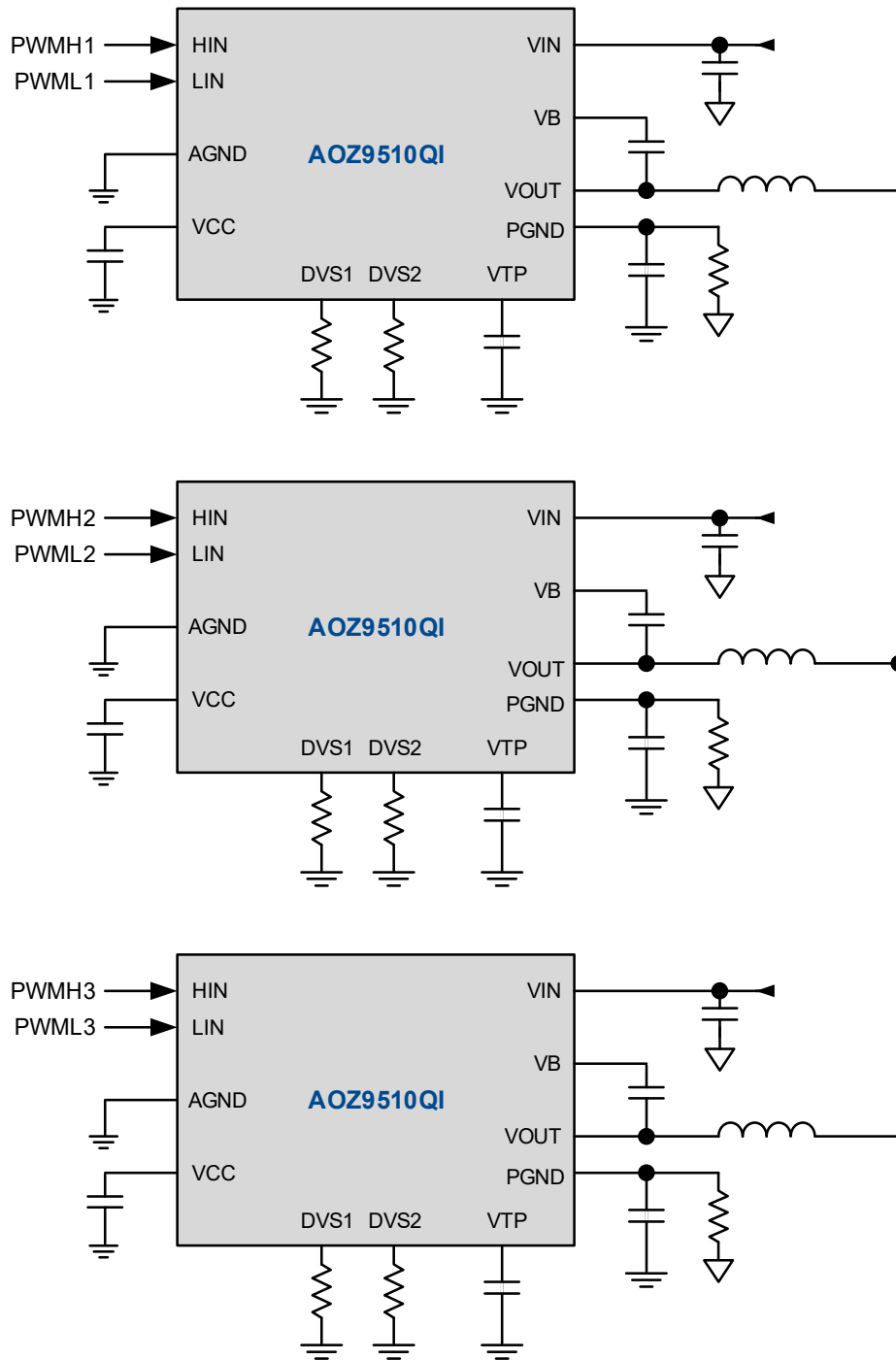
- Input voltage range:
  - 10.8V to 28V
- Maximum output current 20A
- Adjustable gate drive sink/source current
- Junction temperature monitor
- Support 100% PWM operation
- Integrated bootstrap diode
- Low  $R_{DS(ON)}$  internal NFETs
  - 6mΩ for both HS/LS
- Thermal protection
- VCC UVLO
- Thermally enhanced 23-pin 4×4 QFN

### Applications

- BLDC motor drive
- Fans and pumps
- Power tools



## Typical Application



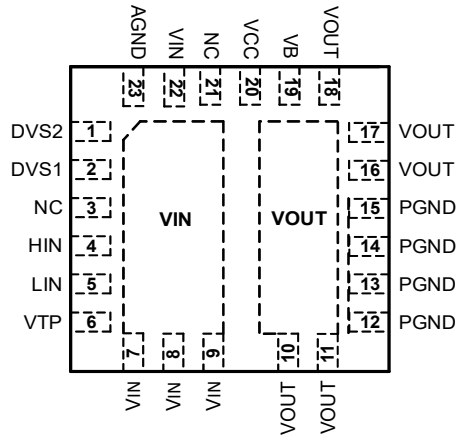
## Ordering Information

Part Number	Ambient Temperature Range	Package	Environmental
AOZ9510QI	-40°C to +85°C	23-Pin 4x4 QFN	RoHS



All AOS Products are offering in packaging with Pb-free plating and compliant to RoHS standards. Please visit [www.aosmd.com/media/AOSGreenPolicy.pdf](http://www.aosmd.com/media/AOSGreenPolicy.pdf) for additional information.

## Pin Configuration



23-Pin 4mm x 4mm QFN  
(Top View)

## Pin Description

Pin Number	Pin Name	Pin Function
1	DVS2	Adjustable gate drive sink current.
2	DVS1	Adjustable gate drive source current.
3	NC	No connect, keep it floating.
4	HIN	PWM input for high-side MOSFET.
5	LIN	PWM input for low-side MOSFET.
6	VTP	Junction temperature monitor
7, 8, 9, 22	VIN	Supply input. All IN pins must be connected together.
10, 11, 16, 17, 18	VOUT	Motor drive output.
12, 13, 14, 15	PGND	Power ground. Reserved one 0603 X7R ceramic capacitor (0.1uF~1uF) between PGND and AGND is needed.
19	VB	Bootstrap capacitor connection. Connect an external capacitor between VB and VOUT for supplying high-side MOSFET.
20	VCC	Supply input for analog functions. Bypass VCC to AGND with a 0.1uF~10uF ceramic capacitor and as close to VCC pin as possible.
21	NC	No connect, keep it floating.
23	AGND	Analog ground.

## Absolute Maximum Ratings

Exceeding the Absolute Maximum Ratings may damage the device.

Parameter	Rating
VIN to AGND	-0.3V to 30V
VOUT to AGND	-0.3V to 30V
VB to AGND	-0.3V to 40V
DVS1, DVS2, VCC to AGND	-0.3V to 13.2V
HIN, LIN to AGND	-0.3V to 5.5V
PGND to AGND <sup>(1)</sup>	-0.3V to +1V
Junction Temperature (T <sub>J</sub> )	+150°C
Storage Temperature (T <sub>S</sub> )	-65°C to +150°C
ESD Rating	2kV

**Note:**

1. PGND to AGND transient (t<100ns) ----- -6.5V to 6.5V.

## Maximum Operating Ratings

The device is not guaranteed to operate beyond the Maximum Operating Ratings.

Parameter	Rating
Supply Voltage (V <sub>IN</sub> )	10.8V to 28V
Ambient Temperature (T <sub>A</sub> )	-40°C to +85°C
Package Thermal Resistance ( $\theta_{JA}$ )	32°C/W
( $\theta_{JC}$ )	4°C/W

## Electrical Characteristics

T<sub>A</sub> = -40°C to 85°C unless otherwise specified.

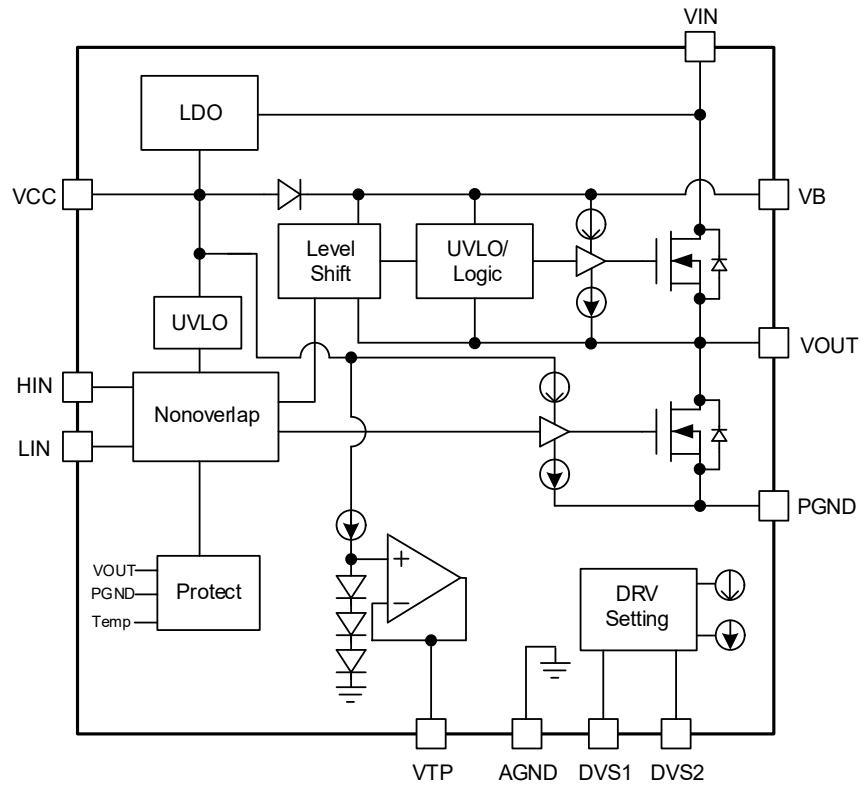
Symbol	Parameter	Conditions	Min.	Typ.	Max.	Units
V <sub>CC</sub>	V <sub>CC</sub>	VIN= 12V, HIN/LIN = 0V	7.8	8	8.2	V
	Line Regulation	VIN= 12V ~ 24V, HIN/LIN=0V		0.1		%/V
I <sub>VCC_short</sub>	I <sub>vcc</sub> Short Current	VIN= 12V, HIN/LIN = 0V, Monitor I <sub>VCC</sub>		1		mA
V <sub>UVLO_R</sub>	V <sub>cc</sub> UVLO Rising	VIN= 12V, V <sub>cc</sub> increase, Monitor DVS1 from low to high	7	7.5	8	V
V <sub>UVLO_F</sub>	V <sub>cc</sub> UVLO Falling	VIN= 12V, V <sub>cc</sub> decrease, Monitor DVS1 from high to low		5.2		V
V <sub>B<sub>UVLO_R</sub></sub>	VB-VOUT UVLO Rising	VIN= 20V, VB-VOUT increase, HIN = High Monitor VOUT from low to high	6.7	7.2	7.7	V
V <sub>B<sub>UVLO_F</sub></sub>	VB-VOUT UVLO Falling	VIN= 20V, VB-VOUT decrease, HIN = High Monitor VOUT from high to low	5.2	5.5	5.8	V
I <sub>VIN_QC</sub>	I <sub>VIN</sub> Quiescent Current	HIN/LIN= 0V, Monitor VIN Current		2.4		mA
I <sub>VB-VOUT_QC</sub>	I <sub>VB-VOUT</sub> Quiescent Current	VIN=10.8V, HIN/LIN= 0V, VOUT = Floating, VB-VOUT= 10V, Monitor VB-VOUT Current		25		μA
V <sub>H<sub>LIN_L</sub></sub>	HIN/LIN Logic Low Voltage	VIN= 12V			1.2	V
V <sub>H<sub>LIN_H</sub></sub>	HIN/LIN Logic High Voltage	VIN= 12V	2.2			V
R <sub>H<sub>LIN_IN</sub></sub>	HIN/LIN Input Pull Low Impedance			280		kΩ
t <sub>H<sub>IN_RP</sub></sub>	HIN Rising Propagation Delay	VIN= 10.8V, DVS=20kΩ, VOUT to GND=100Ω, HIN= Low to High, Monitor HIN High TH to 10% VOUT		42		ns
t <sub>H<sub>IN_FP</sub></sub>	HIN Falling Propagation Delay	VIN= 10.8V, DVS= 20kΩ, VOUT to GND= 100Ω, HIN= High to Low, Monitor HIN Low TH to 90% VOUT		87		ns
t <sub>L<sub>IN_RP</sub></sub>	LIN Rising Propagation Delay	VIN= 10.8V, DVS= 20kΩ, VOUT to VIN= 100Ω, LIN= Low to High, Monitor LIN High TH to 90% VOUT		52		ns

## Electrical Characteristics

T<sub>A</sub> = -40°C to 85°C unless otherwise specified.

Symbol	Parameter	Conditions	Min.	Typ.	Max.	Units
t <sub>LIN_FP</sub>	LIN Falling Propagation Delay	VIN= 10.8V, DVS= 20kΩ, VOUT to VIN= 100Ω, LIN= High to Low, Monitor LIN Low TH to 10% VOUT		88.5		ns
T <sub>DM_R</sub>	Delay Matching Rising	Difference between t <sub>HIN_RP</sub> and t <sub>LIN_RP</sub>		10		ns
T <sub>DM_F</sub>	Delay Matching Falling	Difference between t <sub>HIN_FP</sub> and t <sub>LIN_FP</sub>		1.5		ns
V <sub>DVS</sub>	DVS	VIN= 12V, DVS to GND= 20kΩ	0.97	1	1.03	V
I <sub>DVS_MIN</sub>	DVS Min. Source Current	VIN= 12V, DVS= 4V		0.5		μA
I <sub>DVS_MAX</sub>	DVS Max. Source Current	VIN= 10.8V, DVS= 0.8V		140		μA
SR <sub>HIN_R</sub>	HIN Rising Slew Rate (DVS= 20kΩ)	VIN= 10.8V, VOUT to GND= 100Ω, HIN= Low to High, Monitor VOUT Rising Slew Rate		1.43		V/ns
SR <sub>HIN_F</sub>	HIN Falling Slew Rate (DVS = 20kΩ)	VIN= 10.8V, VOUT to GND= 100Ω, HIN= High to Low, Monitor VOUT Falling Slew Rate		0.022		V/ns
SR <sub>LIN_R</sub>	LIN Rising Slew Rate (DVS= 20kΩ)	VIN= 10.8V, VOUT to VIN= 00Ω, LIN= High to Low Monitor VOUT Rising Slew Rate		0.027		V/ns
SR <sub>LIN_F</sub>	LIN Falling Slew Rate (DVS= 20kΩ)	VIN= 10.8V, VOUT to VIN= 100Ω, LIN= Low to High, Monitor VOUT Falling Slew Rate		1.02		V/ns
R <sub>H_ON</sub>	VIN-VOUT RON	VIN= 12V, HIN= 5V, VB-VOUT= 8V, V <sub>OUT</sub> = 1A		6		mΩ
R <sub>L_ON</sub>	VOUT-PGND RON	VIN= 12V, LIN= 5V, PGND= 0, V <sub>OUT</sub> = 1A		6		mΩ
V <sub>SD</sub>	Boost Diode Forward Voltage	Forward Current= 2mA		0.15		V
T <sub>OTP</sub>	Over Temperature Protection	VIN= 12V		150		°C
VTP	V <sub>TP_25°C</sub>	VIN= 12V at 25°C		1.9		V
	V <sub>TP_125°C</sub>	VIN= 12V at 125°C		1.3		V

### Functional Block Diagram



## Typical Performance Characteristics

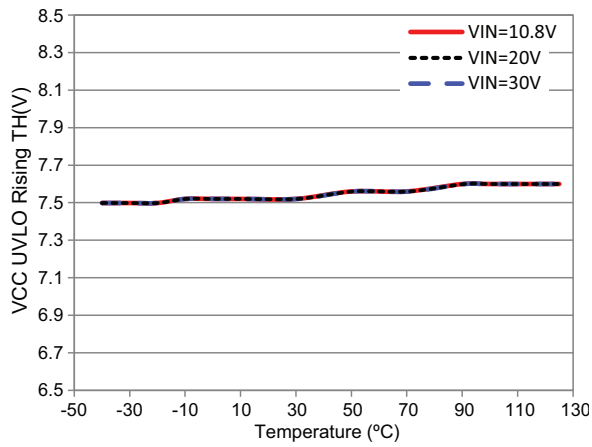


Figure 1. VCC UVLO Rising Threshold

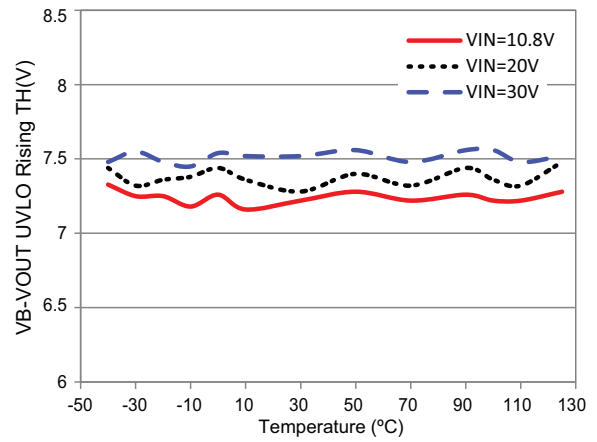


Figure 2. VB-VOUT UVLO Rising Threshold

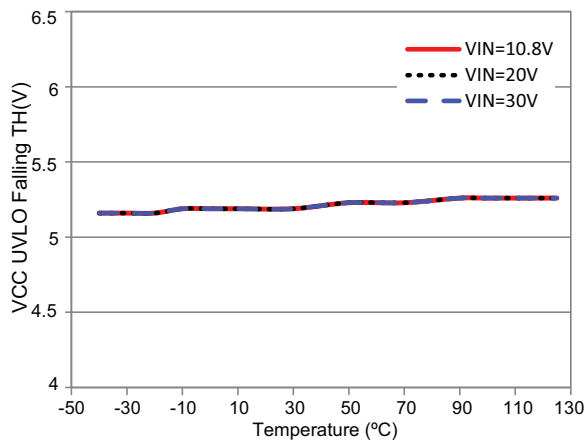


Figure 3. VCC UVLO Falling Threshold

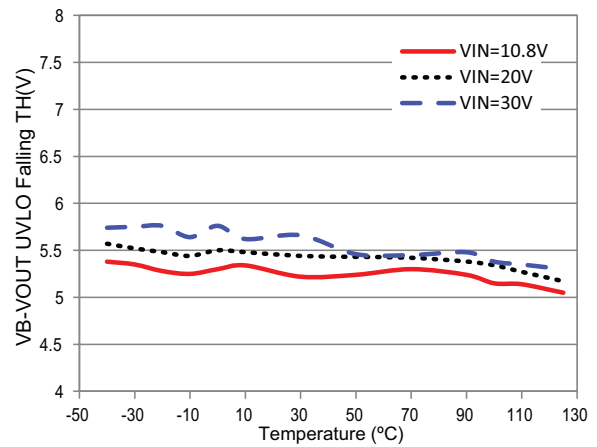


Figure 4. VB-VOUT UVLO Falling Threshold

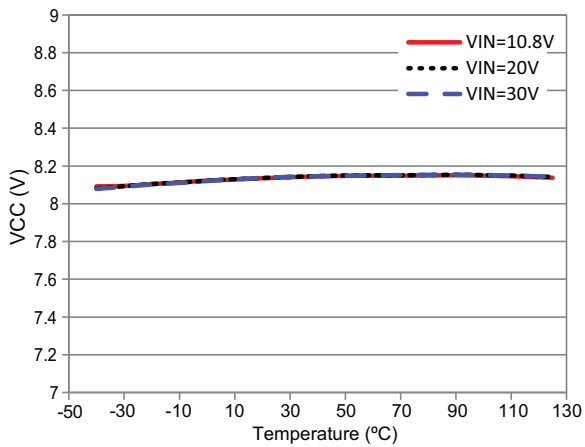


Figure 5. VCC Regulation

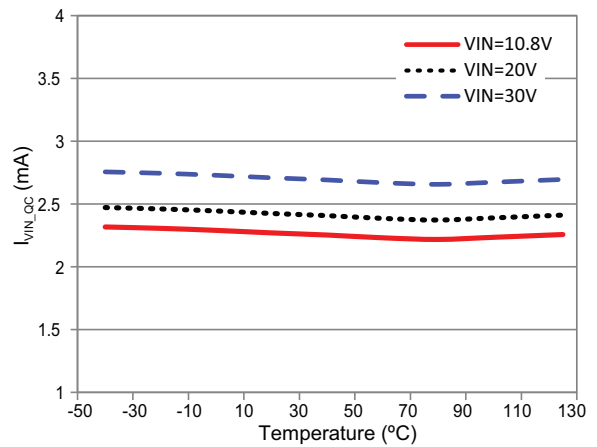


Figure 6. Input Quiescent Current (mA)

Typical Performance Characteristics (Continued)

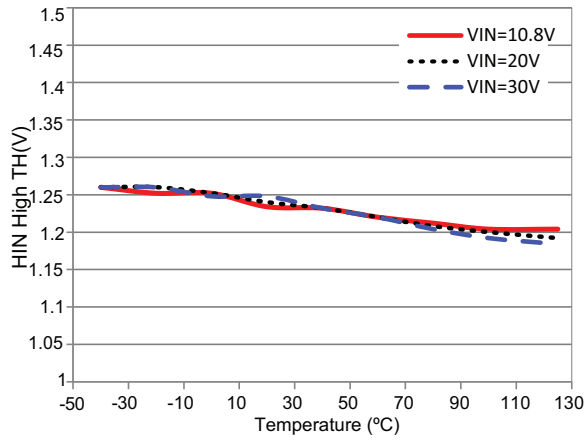


Figure 7. HIN High Threshold

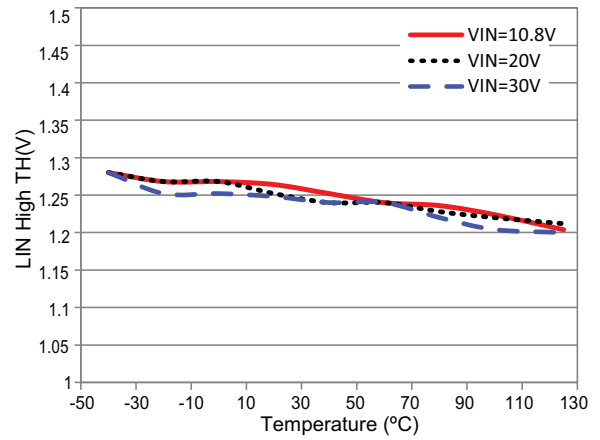


Figure 8. LIN High Threshold

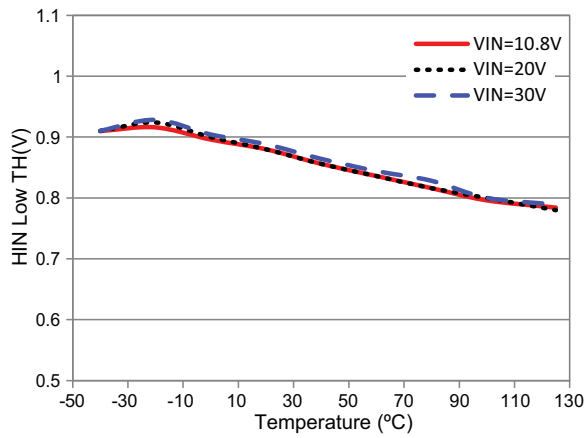


Figure 9. HIN Low Threshold

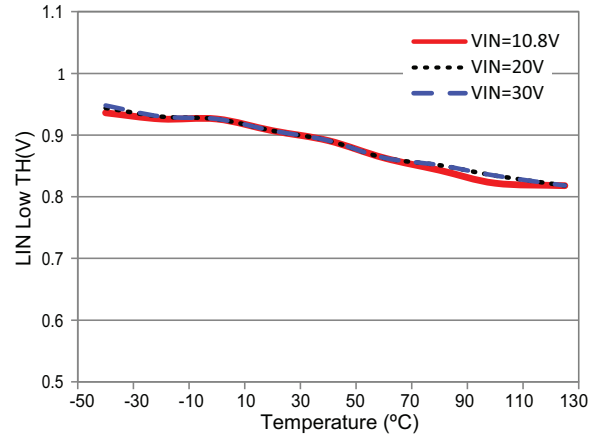


Figure 10. LIN Low Threshold



## Detailed Description

The AOZ9510QI is an integrated half-bridge gate driver for motor drive applications. The device includes one half-bridge gate driver, capable of driving high-side and low-side N-channel MOSFETs. The AOZ9510QI provides adjustable source/sink current of both high/low-side gate drive output current which can optimize performances of EMI and efficiency on different PCB layout and applications.

In addition, the AOZ9510QI provides several fault protections, such as UVLO, OTP and non-overlapping mechanism.

The AOZ9510QI is available in 23-pin 4mm×4mm QFN package.

### Input Power Architecture

The AOZ9510QI integrates an internal linear regulator to generate 8V (2.5%) VCC from input pins. If input voltage is lower than 5.2V, the linear regulator will be triggered VB-VOU UVLO. The VCC maximum source current is 1mA. Therefore, extra external source is needed when operation switching frequency exceeds 30kHz.

### Non-overlapping

For forbidding shoot-through, HIN or LIN is invalid when HIN or LIN goes high state before other one. For example, low-side gate state keeps low regardless of the state of LIN when HIN is high at first, and vice versa.

### Thermal Monitor

The junction temperature can be monitored by using internal current mirror pass through internal diodes. The related  $V_{TP}$  equation can be approximated as below,

$$V_{TP} = 1.9V - (Temp - 25^{\circ}C) \times 6mV$$

### Adjustable Source/Sink Current

It's hard to meet all of EMI specifications in different applications. So, AOZ9510QI provides external adjustable resistors for tuning gate drive source and sink current.

DSV1 and DVS2 are used to tune gate drive source and sink current, respectively. A resistor connects between each DVS pin and GND to setting gate drive source /sink current by internal current mirror, as illustrated Figure 11. Source and sink current use maximum capability to drive when DVS pins are floating or the voltage on DVS pins exceed 4V. User can get the same source and sink capability by using DVS1 to design and DVS2 floating. The suggestion range of  $R_{DVS}$  is 20kΩ~100kΩ.

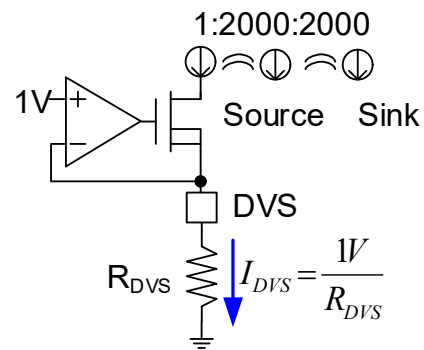


Figure 11. Source / Sink Current Setting

In addition, source and sink current controls are implemented only during MOSFET Miller effect and  $V_{GS} > 1V$ , as illustrated Figure 12.

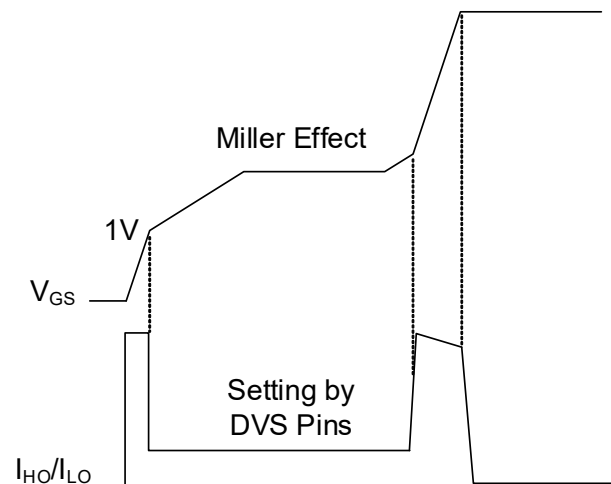


Figure 12. Source/Sink Current Implement Waveform

## Layout Considerations

Several layout tips are listed below for the best electric and thermal performance.

1. The VIN pins and pad are connected to internal high side switch drain. They are also low resistance thermal conduction path. Connected a large copper plane to VIN pins to help thermal dissipation.
2. Input capacitors should be connected to the VIN pins and the PGND pins as close as possible to reduce the switching spikes.
3. The VOUT pins and pad are connected to internal low side switch drain. They are low resistance thermal conduction path and most noisy switching node. Connected a large copper plane to VOUT pins to help thermal dissipation.
4. Decoupling capacitor  $C_{VCC}$  should be connected to VCC and AGND as close as possible.
5. Bootstrap capacitor  $C_B$  should be connected to VB and VOUT as close as possible.
6. A ground plane is preferred; PGND and AGND must be connected to the ground plane through vias.
7. Keep sensitive signal traces such as feedback trace and digital signals far away from the VOUT pins.

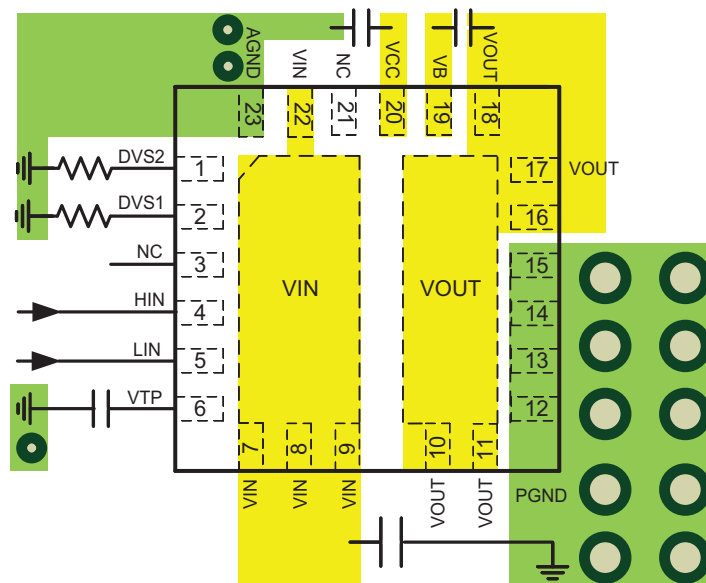
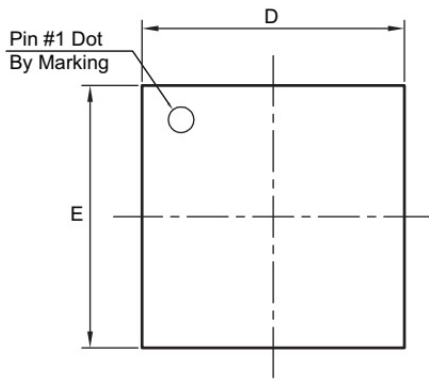
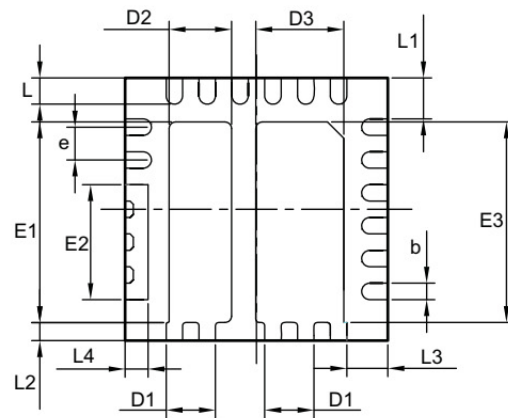


Figure 13. Layout Placement

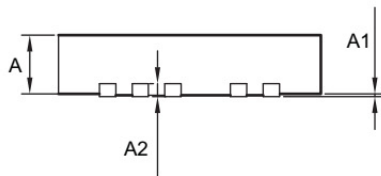
Package Dimensions, QFN4x4B-23L



TOP VIEW

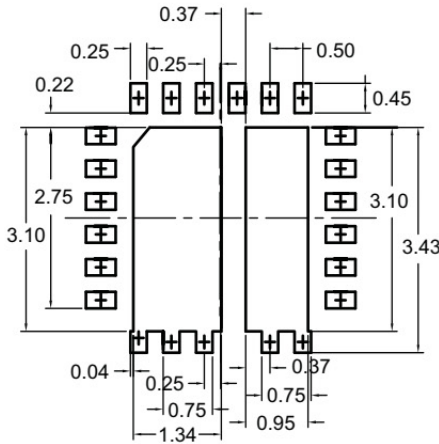


BOTTOM VIEW



SIDE VIEW

RECOMMENDED LAND PATTERN



UNIT: MM

Dimensions in millimeters

Symbols	Min.	Typ.	Max.
A	0.80	0.90	1.00
A1	0.00	—	0.05
A2	0.2 REF		
E	3.90	4.00	4.10
E1	2.95	3.05	3.15
E2	1.65	1.75	1.85
E3	2.95	3.05	3.15
D	3.90	4.00	4.10
D1	0.65	0.75	0.85
D2	0.85	0.95	1.05
D3	1.24	1.34	1.44
L	0.35	0.40	0.45
L1	0.57	0.62	0.67
L2	0.23	0.28	0.33
L3	0.57	0.62	0.67
L4	0.30	0.35	0.40
b	0.20	0.25	0.30
e	0.50 BSC		

Dimensions in inches

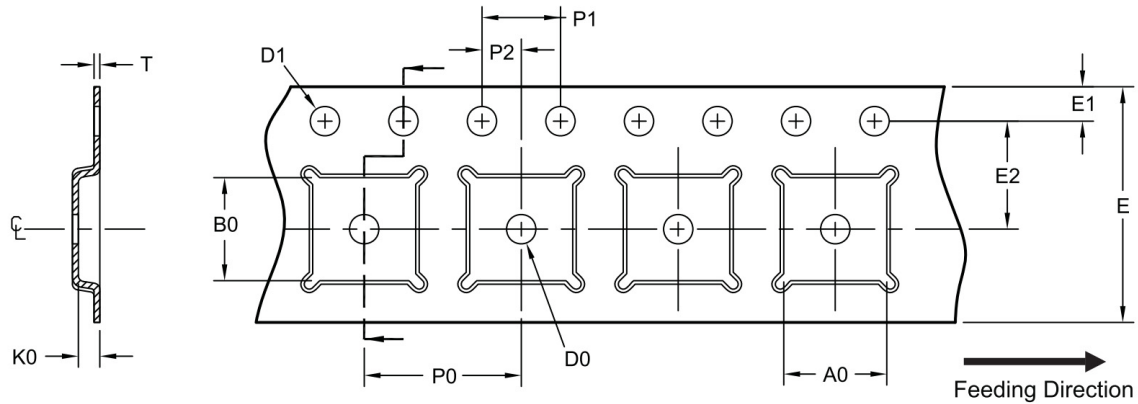
Symbols	Min.	Typ.	Max.
A	0.031	0.035	0.039
A1	0.000	—	0.002
A2	0.008 REF		
E	0.153	0.157	0.161
E1	0.116	0.120	0.124
E2	0.065	0.069	0.073
E3	0.116	0.120	0.124
D	0.153	0.157	0.161
D1	0.026	0.030	0.034
D2	0.033	0.037	0.041
D3	0.049	0.053	0.057
L	0.014	0.016	0.018
L1	0.022	0.024	0.026
L2	0.009	0.011	0.013
L3	0.022	0.024	0.026
L4	0.012	0.014	0.016
b	0.008	0.010	0.012
e	0.020 BSC		

Notes:

1. Controlling dimensions are in millimeters. Converted inch dimensions are not necessarily exact.
2. Tolerance:  $\pm 0.05$  unless otherwise specified.
3. Radius on all corners is 0.152 max., unless otherwise specified.
4. Package wrapage: 0.012 max.
5. No plastic flash allowed on the top and bottom lead surface.
6. Pad planarity:  $\pm 0.102$
7. Crack between plastic body and lead is not allowed.

## Tape and Reel Dimensions, QFN4x4B-23L

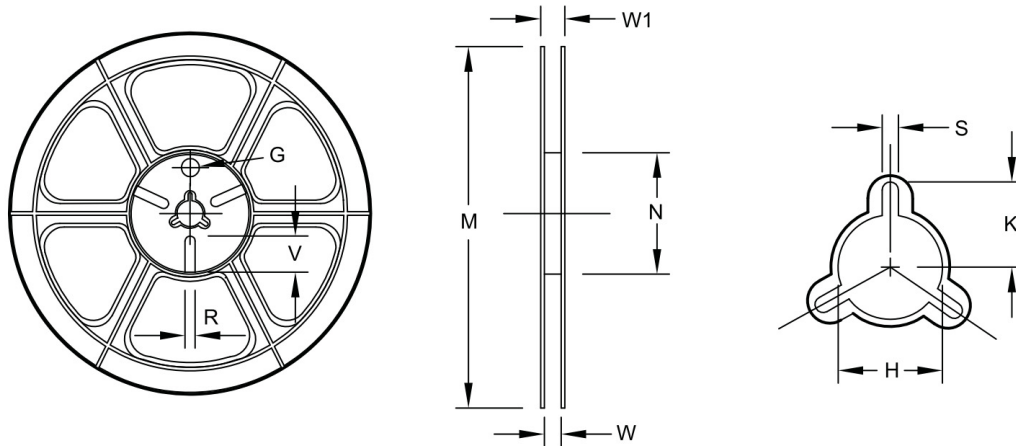
### Carrier Tape



UNIT: mm

Package	A0	B0	K0	D0	D1	E	E1	E2	P0	P1	P2	T
QFN 4x4 (12mm)	4.35 ±0.10	4.35 ±0.10	1.10 ±0.10	1.50 Min.	1.50 +0.10/-0	12.00 ±0.30	1.75 ±0.10	5.50 ±0.05	8.00 ±0.10	4.00 ±0.10	2.00 ±0.05	0.30 ±0.05

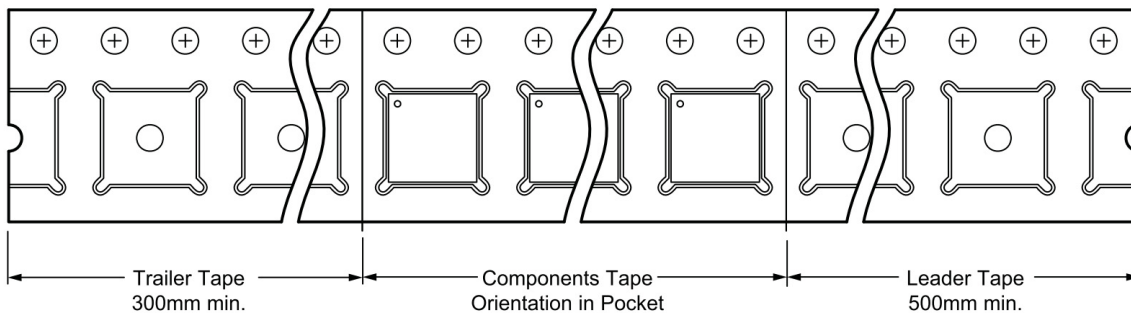
### Reel



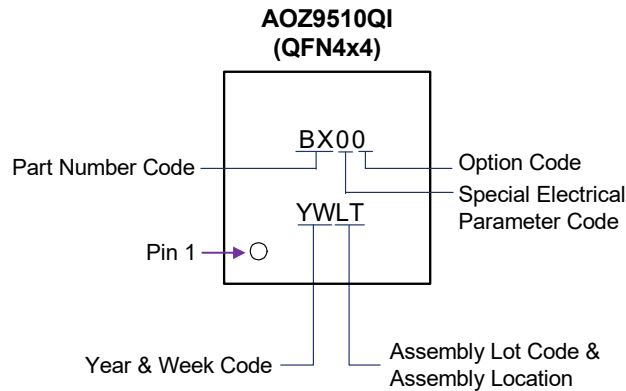
UNIT: mm

Tape Size	Reel Size	M	N	W	W1	H	K	S	G	R	V
12mm	ø330	ø330.0 ±2.0	ø79.0 ±1.0	12.4 +2.0/-0.0	17.0 +2.6/-1.2	ø13.0 ±0.5	10.5 ±0.2	2.0 ±0.5	—	—	—

### Leader/Trailer and Orientation



## Part Marking



### LEGAL DISCLAIMER

Applications or uses as critical components in life support devices or systems are not authorized. Alpha and Omega Semiconductor does not assume any liability arising out of such applications or uses of its products. AOS reserves the right to make changes to product specifications without notice. It is the responsibility of the customer to evaluate suitability of the product for their intended application. Customer shall comply with applicable legal requirements, including all applicable export control rules, regulations and limitations.

AOS's products are provided subject to AOS's terms and conditions of sale which are set forth at:

[http://www.aosmd.com/terms\\_and\\_conditions\\_of\\_sale](http://www.aosmd.com/terms_and_conditions_of_sale)

### LIFE SUPPORT POLICY

ALPHA AND OMEGA SEMICONDUCTOR PRODUCTS ARE NOT AUTHORIZED FOR USE AS CRITICAL COMPONENTS IN LIFE SUPPORT DEVICES OR SYSTEMS.

As used herein:

1. Life support devices or systems are devices or systems which, (a) are intended for surgical implant into the body or (b) support or sustain life, and (c) whose failure to perform when properly used in accordance with instructions for use provided in the labeling, can be reasonably expected to result in a significant injury of the user.
2. A critical component in any component of a life support, device, or system whose failure to perform can be reasonably expected to cause the failure of the life support device or system, or to affect its safety or effectiveness.