

END-LOOK PACKAGE LIGHT EMITTING DIODE

● Features:

1. High radiant power and high radiant intensity.
2. Standard T-1 package.
3. Peak wavelength $\lambda_p=940\text{nm}$.
4. Good spectral matching to si-photodetector.
5. Radiant angle: 20°
6. Lens Appearance: Blue Transparent.
7. This product doesn't contain restriction substance, comply RoHS standard

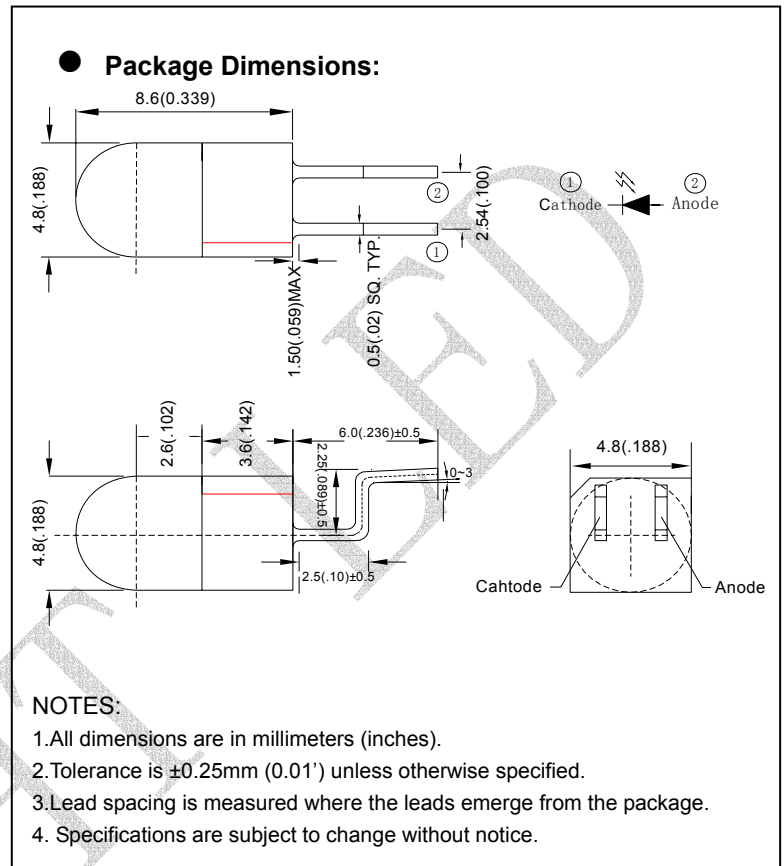
● Applications:

1. Remote Control.
2. Automatic Control System.

● Absolute Maximum Ratings($T_a=25^\circ\text{C}$)

| Parameter | Symbol | Rating | Unit |
|------------------------------------|-----------|---|------|
| Power Dissipation | P_d | 150 | mW |
| Continuous Forward Current | I_F | 100 | mA |
| Peak Forward Current ^{*1} | I_{FP} | 1.0 | A |
| Reverse Voltage | V_R | 5 | V |
| Operating Temperature | T_{opr} | $-40^\circ\text{C} \sim 85^\circ\text{C}$ | - |
| Storage Temperature | T_{stg} | $-45^\circ\text{C} \sim 85^\circ\text{C}$ | - |

^{*1}
(300PPS 10us Pulse)



● **Optical- Electrical Characteristics (@ $T_A=25^\circ\text{C}$)**

| Parameter | Symbol | Test Conditions | Min | TYP | Max | Unit |
|---------------------------|-----------------|-------------------|-------|------|------|---------------|
| Radiant Intensity | I_e | $I_F=50\text{mA}$ | 27.20 | 55 | - | mW/sr |
| Forward Voltage | V_F | $I_F=50\text{mA}$ | - | 1.25 | 1.50 | V |
| Reverse Current | I_R | $V_R=5\text{V}$ | - | - | 100 | μA |
| Peak Wavelength | λ_p | $I_F=50\text{mA}$ | - | 940 | - | nm |
| Spectral Line Half- Width | $\Delta\lambda$ | $I_F=50\text{mA}$ | - | 50 | - | nm |
| Viewing Angle | $2\theta_{1/2}$ | $I_F=20\text{mA}$ | - | 20 | - | deg |

● **Typical Optical-Electrical Characteristic Curves**

Fig.1 Spectral Distribution

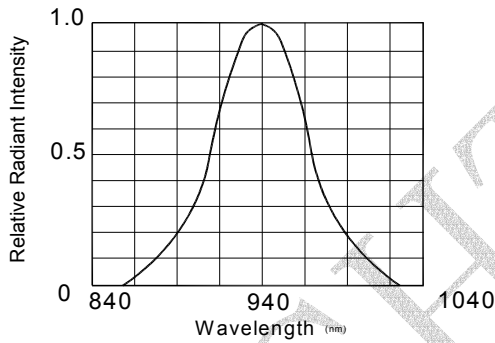


Fig.2 Forward Current Vs Ambient Temperature

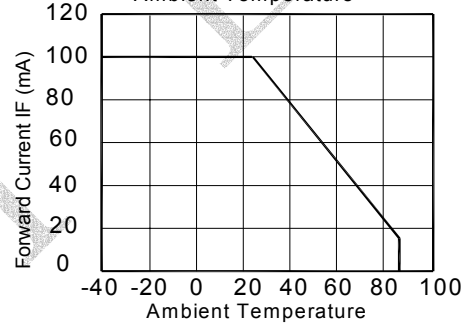


Fig.3 Forward Current Vs Forward Voltage

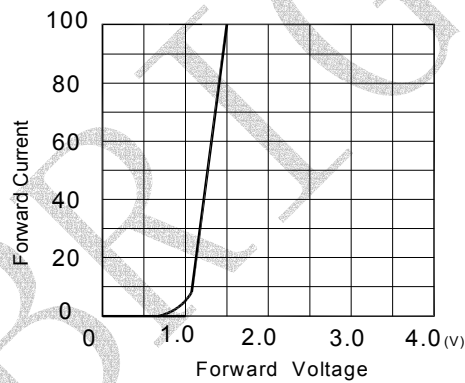


Fig.4 Relative Radiant Intensity Vs Ambient Temperature

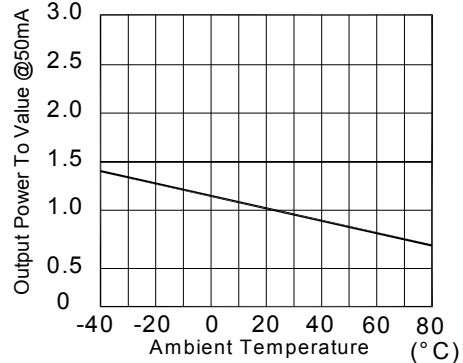


Fig.5 Relative Radiant Intensity Vs Forward Current

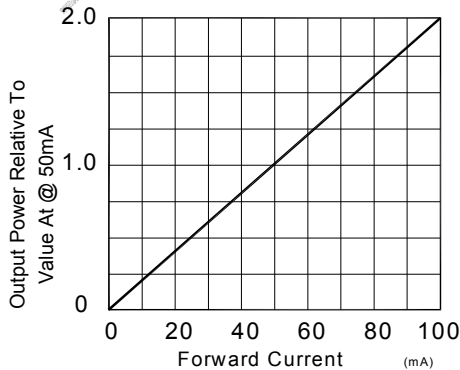
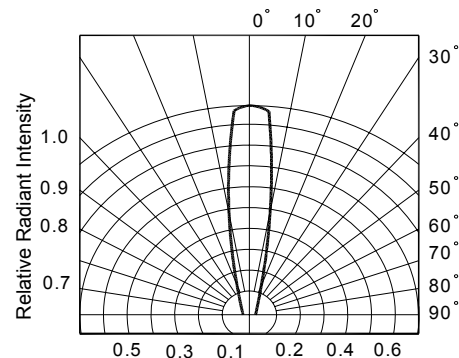
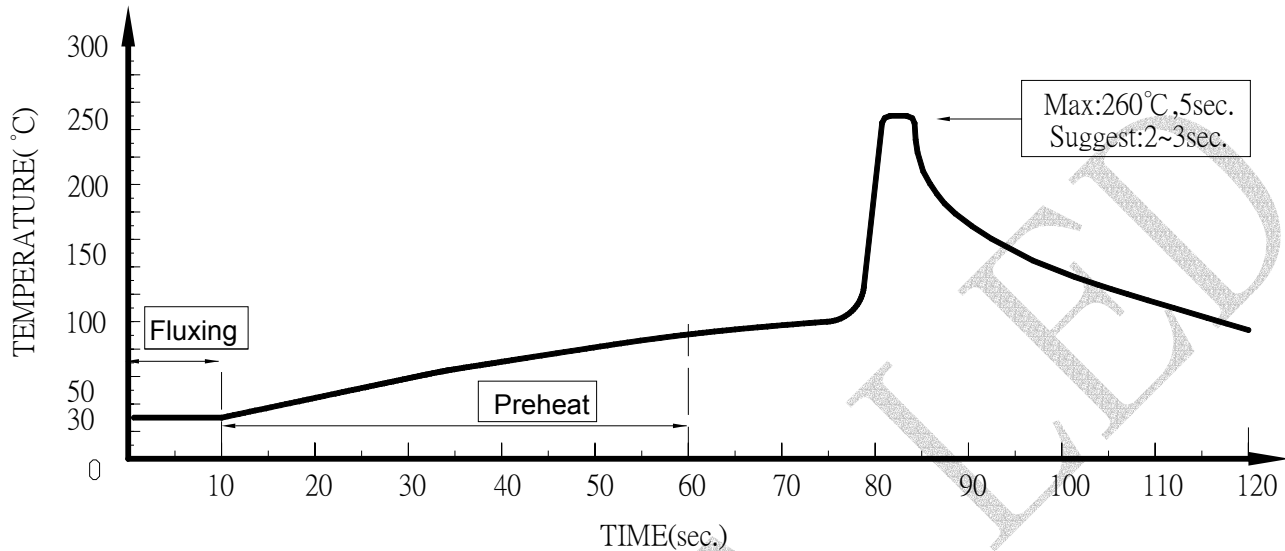


FIG.6 Radiant Diagram



● Dip Soldering

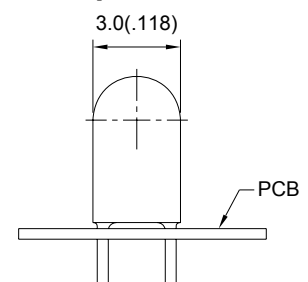


1. Please avoid any external stress applied to the lead-frames and epoxy while the LEDs are at high temperature, especially during soldering
2. DIP soldering and hand soldering should not be done more than one time.
3. After soldering, avoid the epoxy lens from mechanical shock or vibration until the LEDs are back to room temperature.
4. Avoid rapid cooling during temperature ramp-down process
5. Although the soldering condition is recommended above, soldering at the lowest possible temperature is feasible for the LEDs

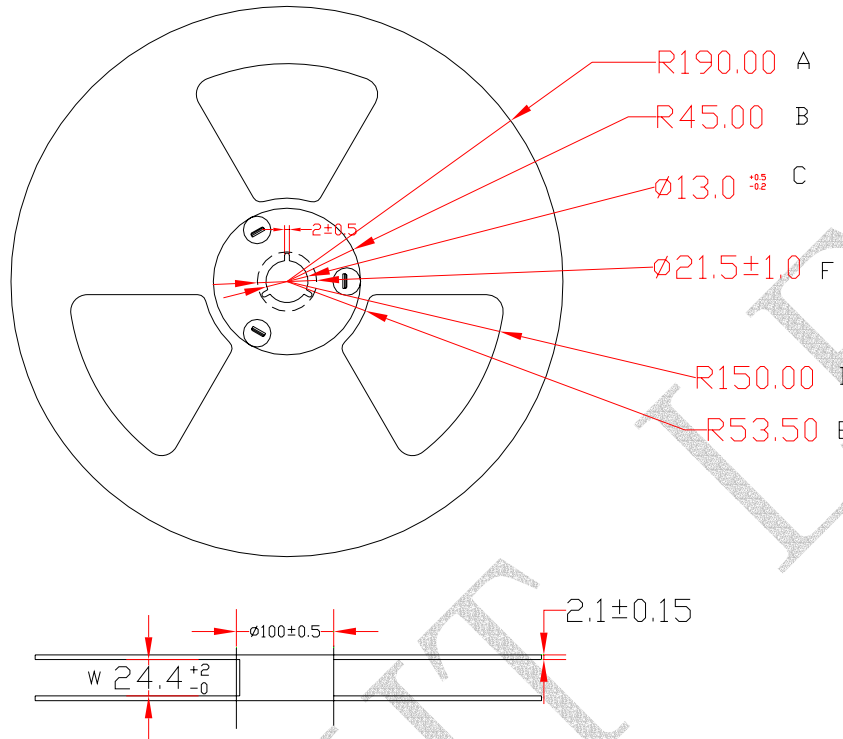
● IRON Soldering

A: Max: 350°C Within 3 sec. One time only.

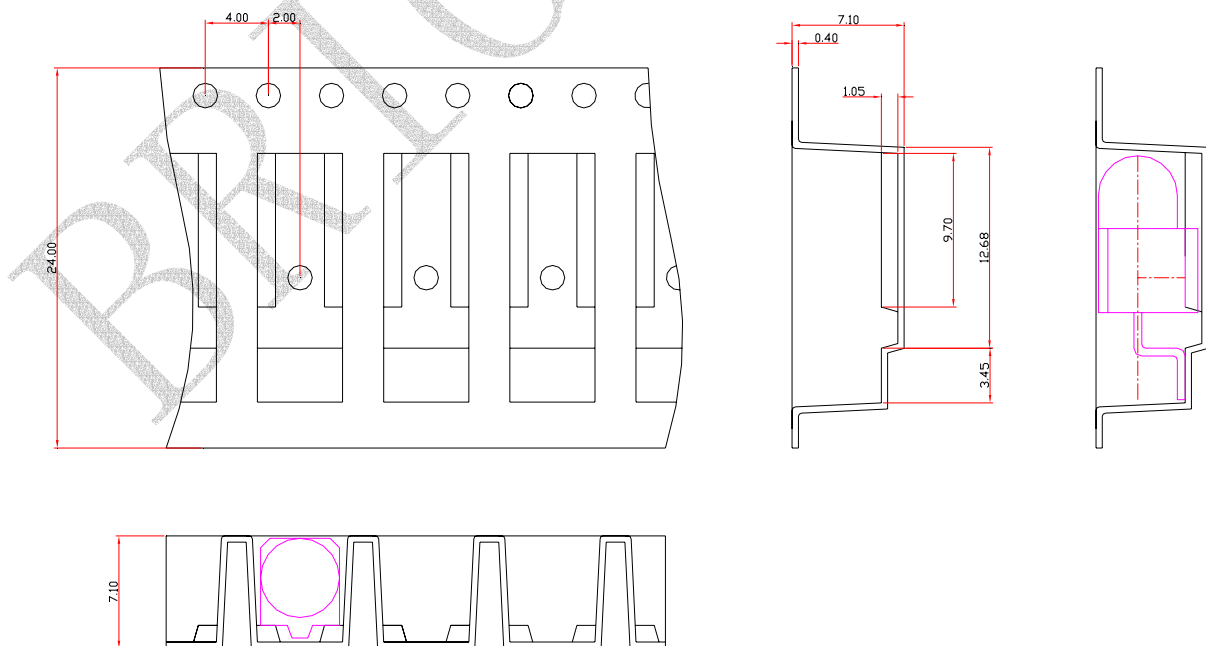
B: The products of 3mm without flange, welding condition of flat plate PCB Max: 350°C Within 2 sec. One time only



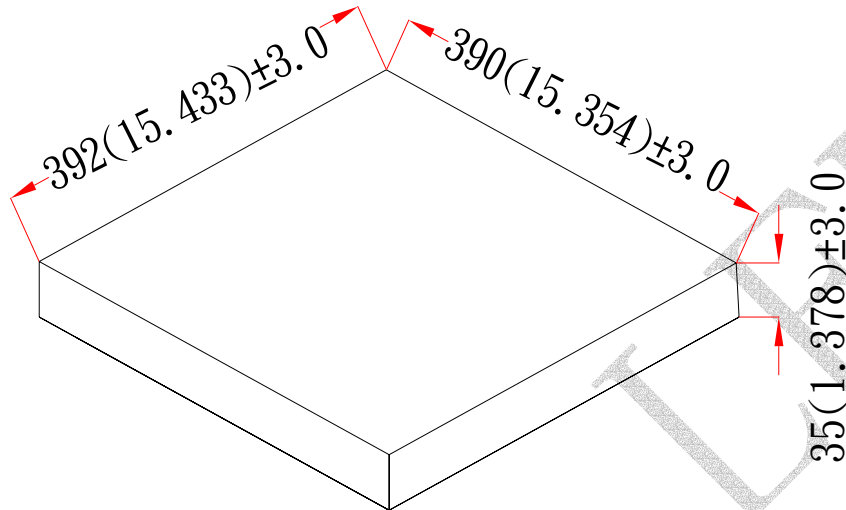
● Packaging Box Dimensions (Units: mm)



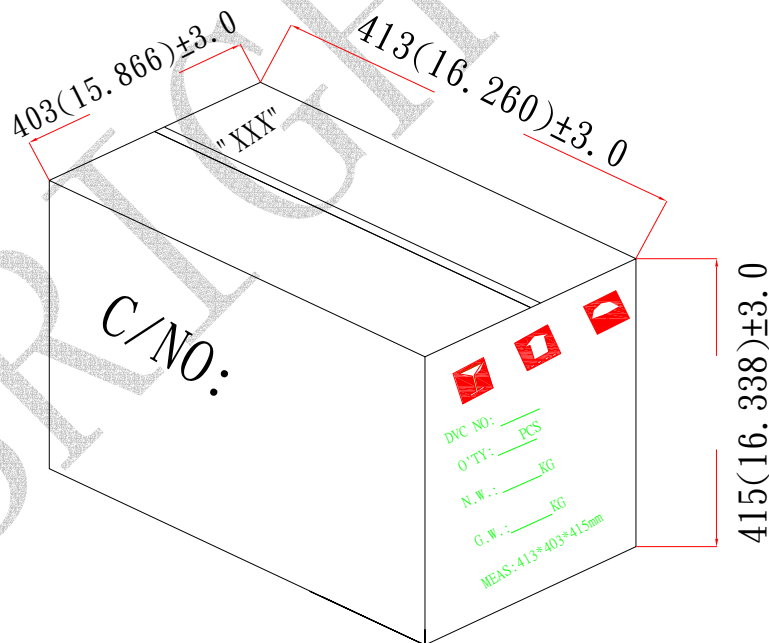
● Packaging Tube Dimensions



● Inner box



● Carton



Notes:

- 1、1000 PCS per reel, 10reels per Carton.
- 2、All dimensions are in millimeters (inches).
3. Tolerance is $\pm 0.250\text{mm}$ ($0.010''$) unless otherwise specified.
- 4、Specifications are subject to change without notice.



Infrared Emitting Diode Specification

- Commodity: Infrared emitting diode
- Intensity Bin Limits (At 50mA)

| BIN CODE | Min.(mW/sr) | Max.(mW/sr) |
|----------|-------------|-------------|
| 14 | 27.2 | 38.08 |
| 15 | 38.08 | 53.31 |
| 16 | 53.31 | 74.63 |
| 17 | 74.63 | 104.48 |
| 18 | 104.48 | 146.27 |

NOTES: Tolerance of measurement of Radiant Intensity :±15%