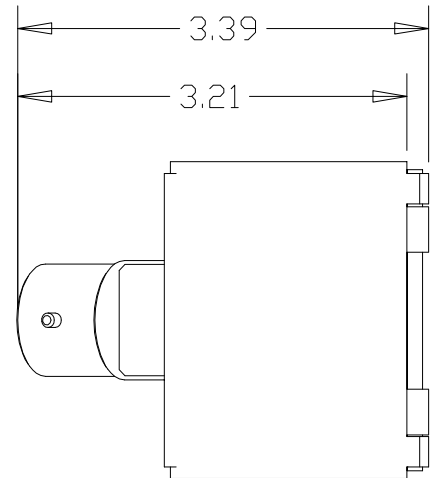
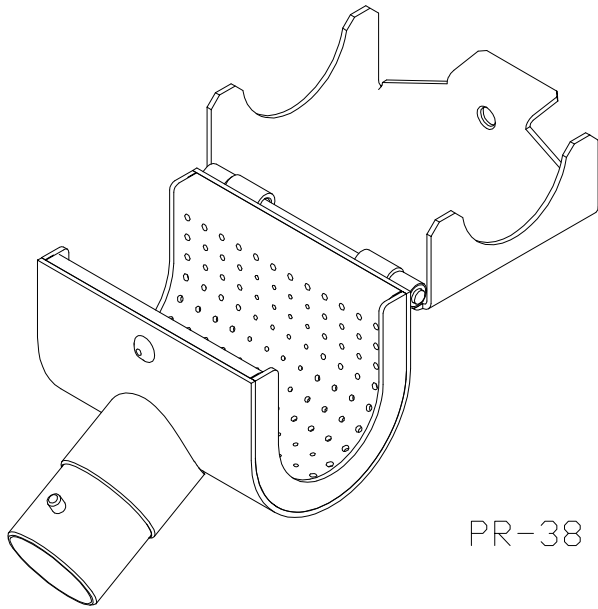
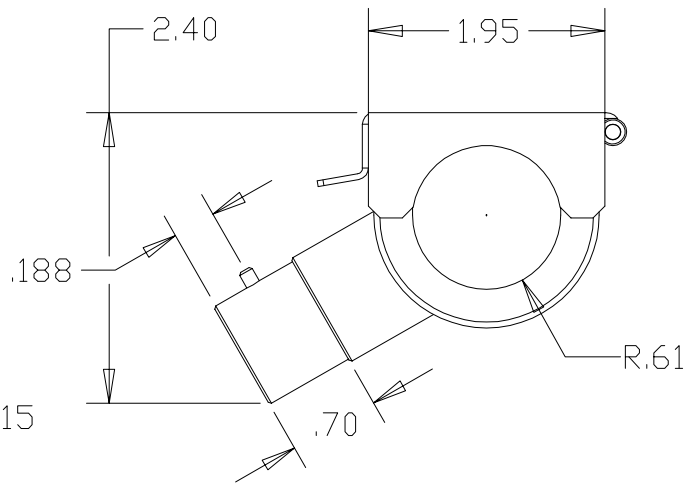
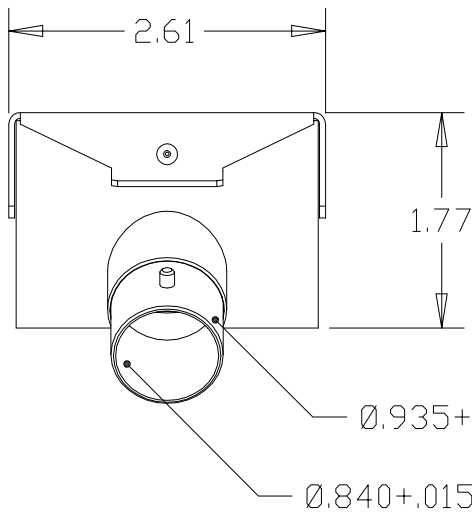


REVISION			
LTR	DESCRIPTION	DATE	APPROVED
1.0	PRELIMINARY RELEASE	11-18-2014	T.NGUYEN



PR-38 REFLECTOR




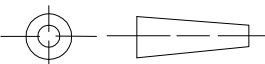
NOTES:

1. THIS STAINLESS STEEL PUSH-FIT REFLECTOR IS DESIGNED WITH AN OPEN/CLOSE DOOR TO EVENLY DISTRIBUTE THE HEAT OVER A LARGE GAUGE WIRE REPAIR SLEEVE KIT.
2. MATERIAL: 316 STAINLESS STEEL.
3. FINISH: PTFE COATING.
4. HEATING TOOL: LEISTER CV-1987 HOT JET S IS NOT INCLUDED.

TE CONNECTIVITY (LOGO) AND TE (LOGO) ARE TRADEMARKS. OTHER LOGOS PRODUCT AND/OR COMPANY NAMES MAY BE TRADEMARKS OF THEIR RESPECTIVE.

©2014 TE CONNECTIVITY LTD. FAMILY OF COMPANIES. ALL RIGHTS RESERVED

RAYCHEM APPLICATION EQUIPMENTS
CUSTOMER DRAWING

TYCO ELECTRONICS RESERVES THE RIGHT TO CHANGE THIS DRAWING AT ANYTIME. USERS SHOULD EVALUATE THE SUITABILITY OF THE PRODUCT FOR THEIR APPLICATION. UNLESS OTHERWISE SPECIFIED, DIMENSIONS ARE IN INCHES. METRIC DIMENSIONS ARE IN BRACKETS.	DRAWN: T. NGUYEN DATE: 10-08-2014		TE CONNECTIVITY
	CHECKED: T. NGUYEN DATE: 10-08-2014		
UNLESS OTHERWISE SPECIFIED, DIMENSIONS ARE IN INCHES. METRIC DIMENSIONS ARE IN BRACKETS.	APPROVED: S. GRAVANO DATE: 10-10-2014	TITLE: PR-38-REFLECTOR	TITLE: PR-38-REFLECTOR
TOLERANCES ARE: .X ± .1 [2.54 mm] .XX ± .01 [0.25 mm] .XXX ± .005 [0.13 mm] ANGLES: ± 1°	CAD FILE NAME: PR-38-REFLECTOR.dwg THIRD ANGLE PROJECTION 	SIZE: A CAGE CODE: 06090 DWG. NO. PR-38-REFLECTOR	RPN: EG2498-000 SHEET: SHEET 1 OF 1 REV. 1.0
DO NOT SCALE THIS DRAWING			