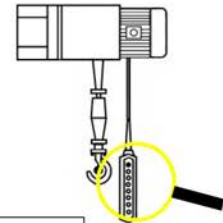


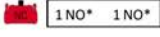












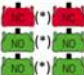









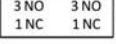
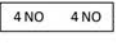
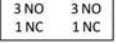

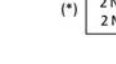


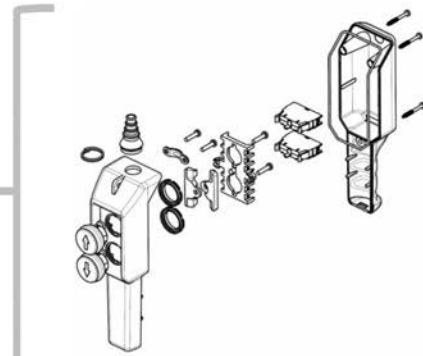
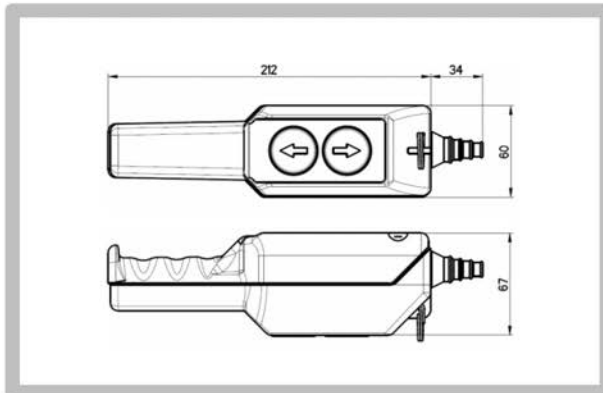
Characteristics:

- Bi-directional, mechanically interlocked
- IP 65 double insulation IEC/EN60529
- Laser engraved symbols comply with EN60204-1, FEM 9.941
- Shock proof and heat resistant

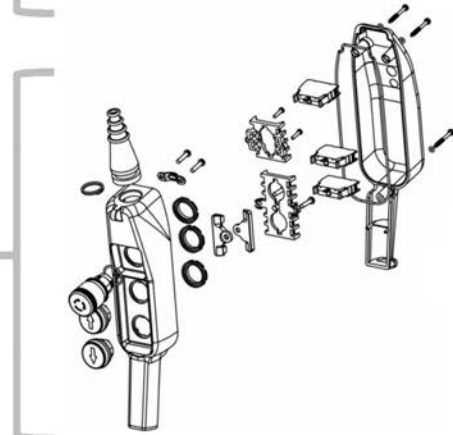
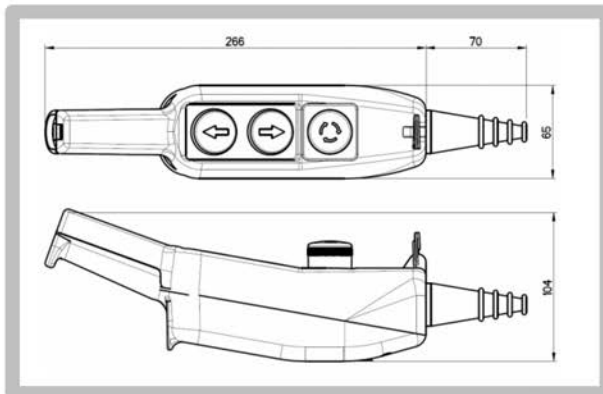


PICTURE	LAYOUT	CONFIGURATION	CODE	CONTACT TYPE		WEIGHT [gr]
				NO	NC	
		SINGLE SPEED (* TILTING BUTTON 16A – 250Vac ½ HP)	P02.RM			230
		SINGLE SPEED	P02.1			230
			P02.2			250
			P02.4			250
		(* HIGH POWER CONTACTS DIRECT MOTOR CONTROL 1Kw 1ph	P02.CD			230
P02.D2					250	
		SINGLE SPEED	P03.1			440
			P03.2			450
			P03.3			460
			P03CD			460
		TWO SPEED	P03D2			460
		SINGLE SPEED	HP03			330
		TWO SPEED	HP03.D2			350
		SINGLE SPEED	DC30			600
			DC30.RG			600
			DC30.GE			600
		TWO SPEED	DC30D2			650

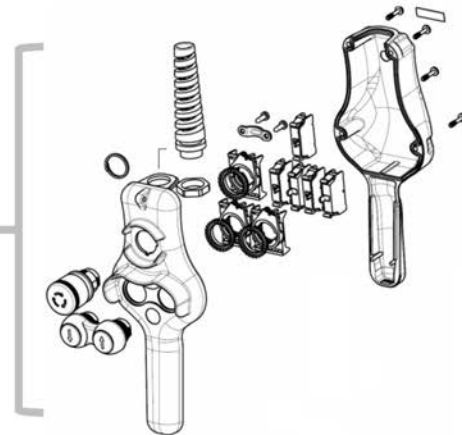
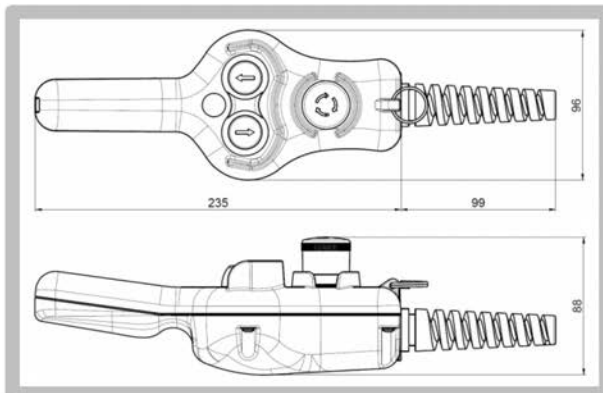
P02



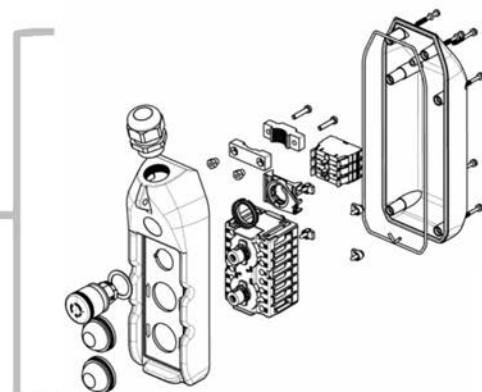
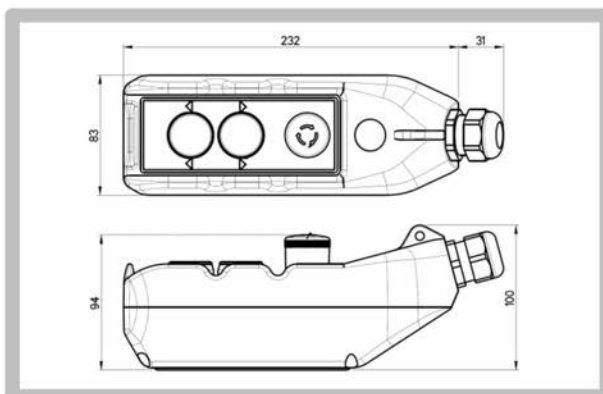
P03



HP03



DC30



General characteristics		P02 – P03 – HP03 – PLN – PLBN – TLP							DC30			
In conformity to standards		IEC / EN60947-5-1							IEC / EN60947-3			
Material	P02	P03	HP03	PL	PLB	TLP	ABS					
	PP	ABS	ABS	ABS	ABS	PP						
Material group		II							II			
Pollution class		3							3			
Climate temperature	operating	-25°C + 70°C							-25°C + 70°C			
	storage	-30°C + 70°C							-30°C + 70°C			
Climate resistance	IEC68 part 2-3	hot damp							hot damp			
	IEC68 part 2-30	unsettled hot damp							unsettled hot damp			
Cable entry		<ul style="list-style-type: none"> ▪ P02 – P03: rubber cable sleeve Ø7...18mm ▪ PL – PLB: rubber cable sleeve Ø9...24mm ▪ HP03: spiral cable gland M20 – TLP: cable gland M20 							cable gland M25			
Electrical characteristics contact blocks		P02 – P03 – HP03 – PLN – PLBN – TLP							DC30			
Markings												
Rated insulation voltage [Ui]		690V							500V			
Rated thermal current [Ith]		16A							25A			
Rated impulse withstand voltage [Uimp]		4kV							4kV			
Frequency		50Hz – 50/60 Hz type PCW (HP03-TLP)							50Hz			
Rated operating current [Ie]												
AC-15 alternate current		(V)	24	60	110	240	400	440	500	690		
	type: PL004.. P02/P03/DC30 e-stop/PLN/PLBN	(A)	16	12	8	6	4	3.5	3	1	-	
	type: PCW.. HP03-TLP	(A)	10	8	6	5	4	4	4	2	-	
DC-13 direct current		(V)	24	48	60	110	220	250				
	type: PL004.. P02/P03/DC30 e-stop/PL/PLBN	(A)	2	1.2	0.85	0.4	0.25	-			-	
	type: PCW.. HP03-TLP	(A)	2	2	1	0.4	-	0.4			-	
AC-3 alternate current	1phase-2poles 230V-400V								-			2.2kW
	3phase-3poles 230V-400V								-			3kW
Conditional short circuit withstand current		1000A									1000A	
Fuse rating		gG 10A - 500V									aM 12A - 500V	
Contact insulation resistance		≤ 25mΩ									-	
Switching mechanism	type: PL004.. P02/P03/DC30 e-stop/PLN/PLBN	slow break double gap contacts single pad									slow break double gap contacts single pad	
	type: PCW.. HP03-TLP	slow break double gap contacts three pads										
Positive operation		NC contact block 									-	
Terminal type	type: PL004.. P02/P03/DC30 e-stop/PLN/PLBN	M3.5 screw									M3.5 screw	
	type: PCW.. HP03-TLP	spring cage terminal										
Terminal capacity	type: PL004.. P02/P03/DC30 e-stop/PLN/PLBN	No. 1 or 2 flexible and solid conductor min 1 max 2.5 mm ²									No. 1 or 2 flexible and solid conductor min 1 max 2.5 mm ²	
	type: PCW.. HP03-TLP	No. 1 or 2 flexible and solid conductor min 0.5 max 2.5 mm ²										
UL508 characteristics												
General use	600V ac	16A									-	
Designation code (HD) Heavy Duty		A600-Q600									-	

