

RJ45 PoE 10/100 Base-TX Jack with Magnetic Module

ARJP11B

RoHS
Compliant



16.26 x 13.84 x 21.59mm

FEATURES:

- Available with or without LED
- Suitable CAT 5 & 6 cable and UTP
- Comply IEEE 802.3ab
- LAN Magnetic with RJ4
- Suitable for RoHS compliant reflow

APPLICATIONS:

- 10/100 Base-TX
- NIC, LoM and PC

STANDARD SPECIFICATIONS at 25°C

Operating temperature range: 0°C to +70°C Storage temperature range: -40°C to +85°C

Part Number	Turns Ratio Pri: Sec ± 3%		EMI Fingers	LEDs L/R	Insertion Loss (dB max) 0.3- 100 MHz	Return Loss (dB MIN @100Ω)			
	TX	RX				0.5- 30 MHz	40 MHz	50 MHz	60 – 80 MHz
ARJP11B-MASA-B-A-EMU2	1CT:1CT	1CT:1CT	Yes	Y/G	-1.1	-18	-15.5	-13.6	-12
ARJP11B-MBSB-A-B-EMU2	1CT:1CT	1CT:1CT	Yes	G/Y	-1.1	-18	-15.5	-13.6	-12

Part Number	Crosstalk (dB TYP) 0.3-100 MHz	Common Mode Rejection (dB TYP)			Hipot (Vrms min)
		0.3-30 MHz	30-60 MHz	60-100 MHz	
ARJP11B-MASA-B-A-EMU2	-38	-50	-40	-30	1500
ARJP11B-MBSB-A-B-EMU2	-38	-50	-40	-30	1500

Contact Abracon for more custom configurations. See options to build a custom configuration.

OPTIONS AND PART IDENTIFICATION

ARJP11B - [] [] - [] - [] - [] [] [] []

Mechanical	Schematic	Left LED color (e.g. B for Yellow, AB for Green- Yellow)	Right LED color (e.g. B for Yellow, AB for Green- Yellow)	LED polarity	Turns Ratio (Tx)	Turns Ratio (Rx)	Gold plating
MA, MB (Please see mechanical section)	SA, SB (Please see schematic section)	Blank: No LED A: Green B: Yellow C: Amber D: Orange	Blank: No LED A: Green B: Yellow C: Amber D: Orange	Blank: No LED E (Please see 7.0 LED polarity section)	K: 1CT:1.41 L: 1CT:1 M: 1CT:1CT N: 1.414:1CT O: 1CT:1.41CT P: 1:2CT Q: 1:1.414CT R: 1CT:2.5	S: 1CT:1.41 T: 1CT:1 U: 1CT:1CT V: 1.414:1CT W:1CT:1.41CT X: 1:2CT Y: 1:1.414CT Z: 1CT:2.5	1: 3u “ 2: 6u “ 3: 15u “ 4: 30u “ 5: 50u “



RJ45 PoE 10/100 Base-TX Jack with Magnetic Module

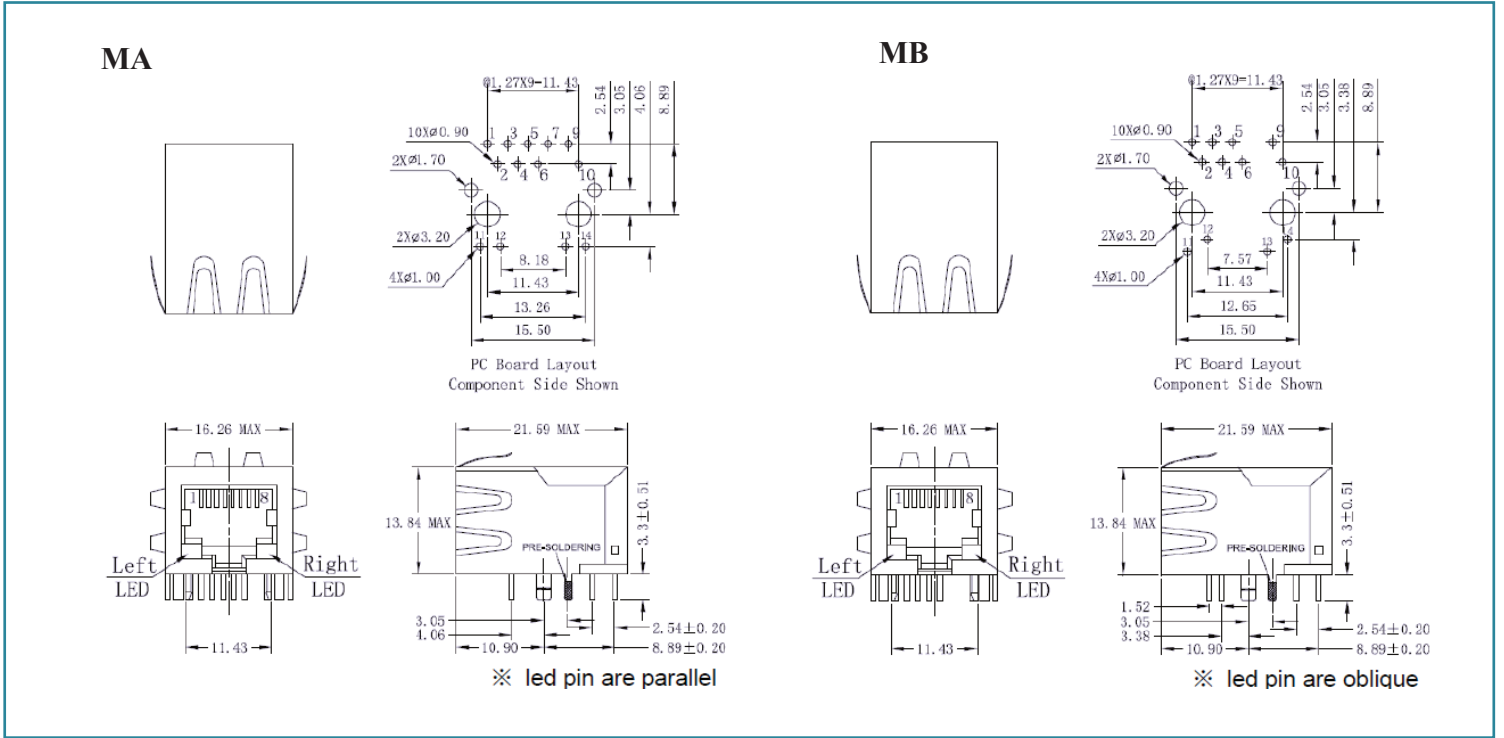
ARJP11B

RoHS
Compliant

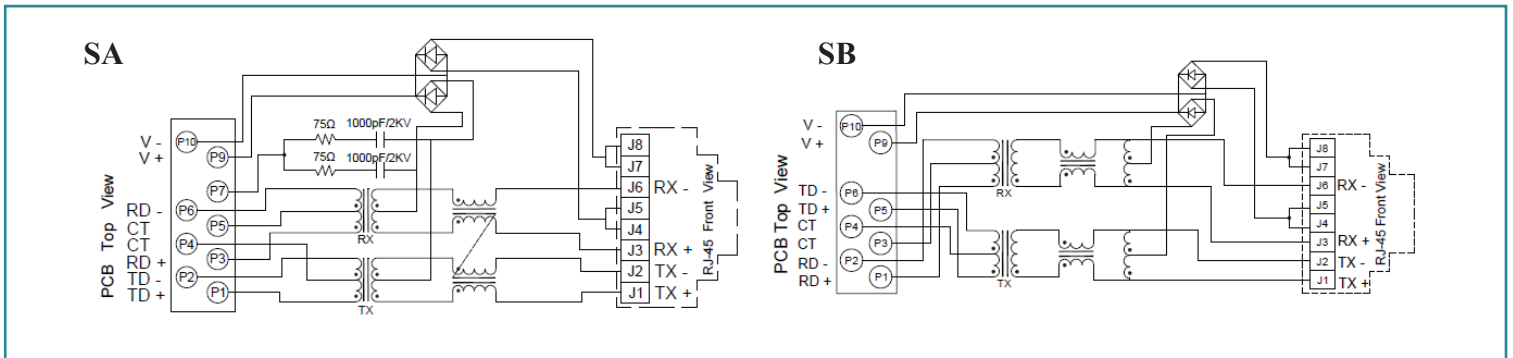


16.26 x 13.84 x 21.59mm

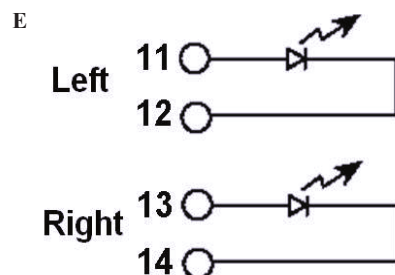
MECHANICAL DIMENSIONS



SCHEMATICS



LED POLARITY



RJ45 PoE 10/100 Base-TX Jack with Magnetic Module

ARJP11B

RoHS
Compliant

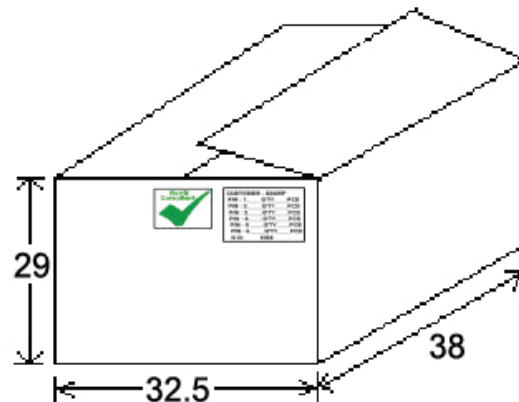
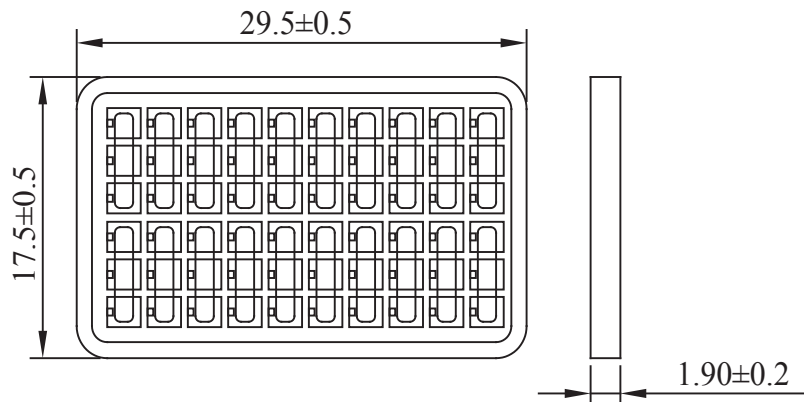


16.26 x 13.84 x 21.59mm

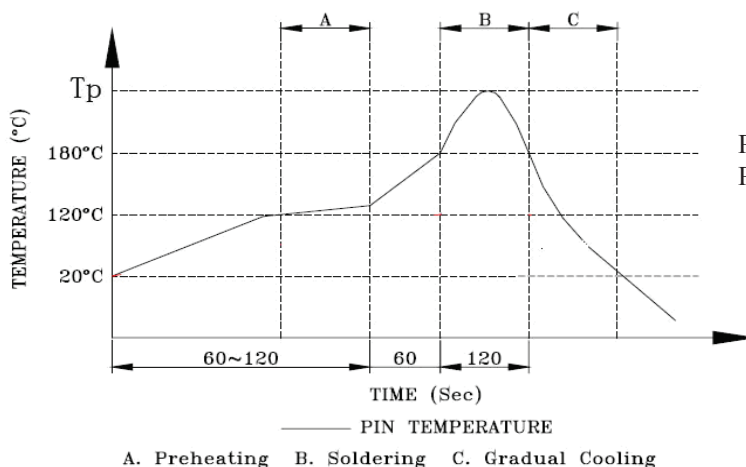
PACKING: 60pcs/tray

Packaging material: PET

Outer carton unit 1320 pcs/ 22 Trays/box

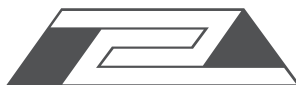


REFLOW PROFILE:



ATTENTION: Abracon Corporation's products are COTS – Commercial-Off-The-Shelf products; suitable for Commercial, Industrial and, where designated, Automotive Applications. Abracon's products are not specifically designed for Military, Aviation, Aerospace, Life-dependant Medical applications or any application requiring high reliability where component failure could result in loss of life and/or property. For applications requiring high reliability and/or presenting an extreme operating environment, written consent and authorization from Abracon Corporation is required. Please contact Abracon Corporation for more information.

ABRACON IS
ISO 9001:2008
CERTIFIED



ABRACON
CORPORATION

Visit www.abracon.com for Terms & Conditions of Sale
30332 Esperanza, Rancho Santa Margarita, California 92688
tel 949-546-8000 | fax 949-546-8001 | www.abracon.com

Revised: 05.13.16