

MATERIAL

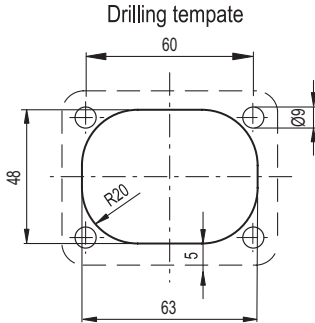
AISI 304 stainless steel with electropolished finish.
Handle with return spring from work to rest position.

STANDARD EXECUTION

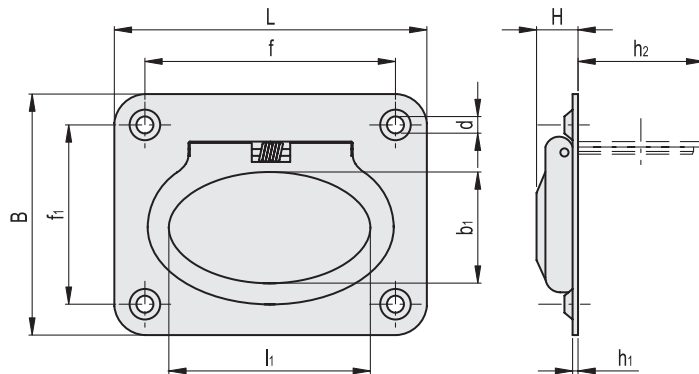
Pass-through holes for M4 countersunk-head screws.

APPLICATIONS

RH-EE-01 series flush pull handles are generally used on devices where it is requested to save space.



- 1
- 2
- 3
- 4
- 5
- 6
- 7
- 8
- 9
- 10
- 11
- 12
- 13
- 14
- 15
- 16
- 17
- 18



| Conversion Table | | | |
|-------------------|------|-----|------|
| 1 mm = 0.039 inch | | | |
| L | | d | |
| mm | inch | mm | inch |
| 75 | 2.95 | 4.5 | 0.18 |

| Code | f | L | B | f1 | b1 | H | h1 | h2 | l1 | d | |
|-----------------|----|----|----|----|----|----|----|----|----|-----|----|
| RHEE-01.R075.39 | 60 | 75 | 58 | 43 | 26 | 10 | 1 | 34 | 46 | 4.5 | 51 |