

6

5

4

3

2

1

E

E

D

D

C

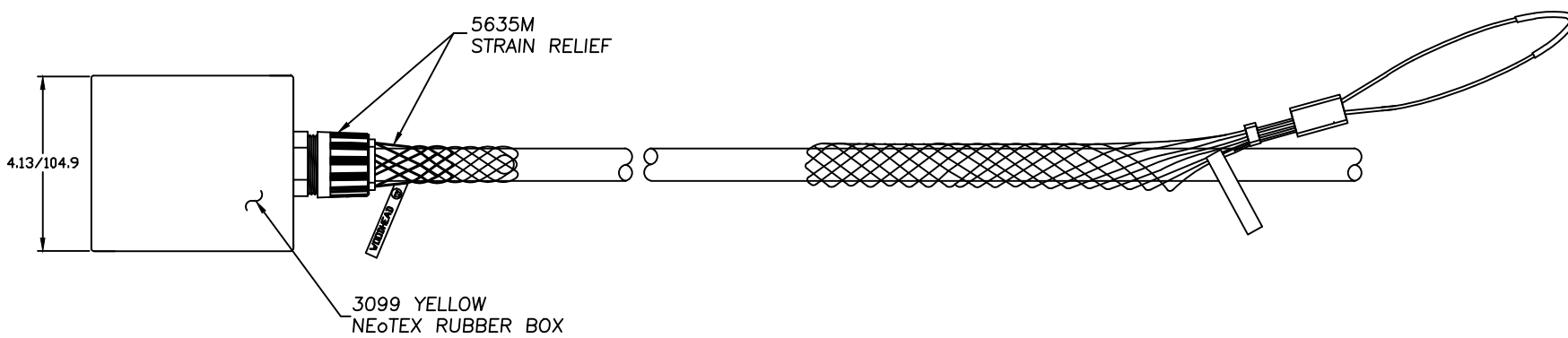
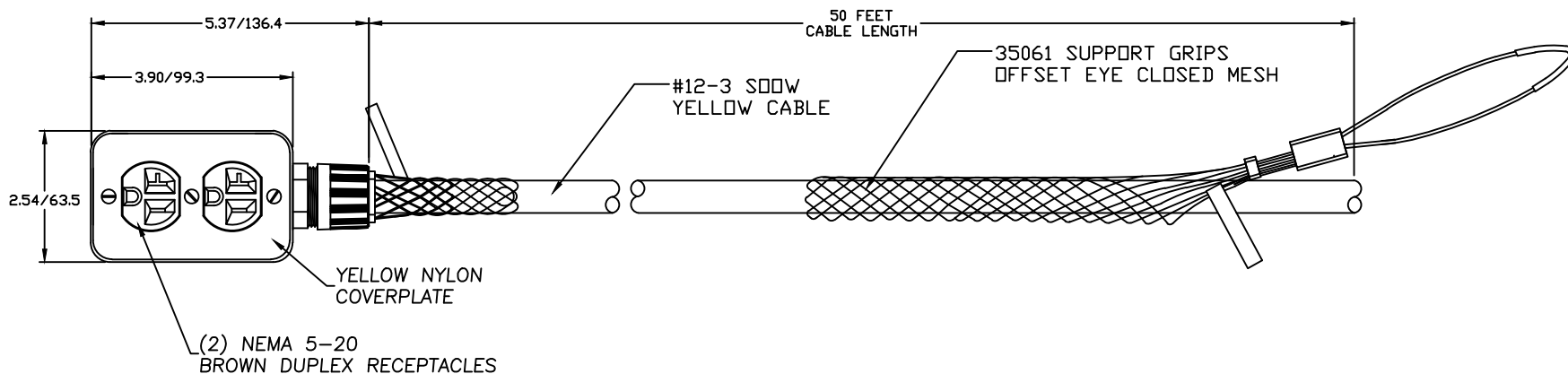
C

B

B

A

A



CUSTOMER APPROVAL DWG EC NO: IPC2017-0130 DRWN: HKNEELAN 2016/08/03 CHKD: HKNEELAN 2016/08/22 APPR: JFMURPHY 2016/08/22	DESCRIPTION REV	QUALITY SYMBOLS	GENERAL TOLERANCES (UNLESS SPECIFIED)		DIMENSION STYLE IN/MM		SCALE NTS	DESIGN UNITS INCH	THIRD ANGLE PROJECTION		
		$\nabla=0$ $\nabla/C=0$	mm	INCH	DRAWN BY	DATE	TITLE				
		4 PLACES	±---	±---	HKNEELAN	2016/08/03	MULTIPLE OUTLET BOX W/ #12-3 CABLE & MESH (2)NEMA 5-20 DPLX RECPT				
		3 PLACES	±---	±.005	CHECKED BY	DATE					
		2 PLACES	±0.13	±.010	HKNEELAN	2016/08/22	MOLEX INCORPORATED				
1 PLACE	±0.25	±.020	APPROVED BY	DATE							
ANGULAR ±.5°			DRAFT WHERE APPLICABLE MUST REMAIN WITHIN DIMENSIONS		MATERIAL NO.	1301370320	DOCUMENT NO.	SD-130137-047	SHEET NO. 1 OF 1		
SIZE A			THIS DRAWING CONTAINS INFORMATION THAT IS PROPRIETARY TO MOLEX INCORPORATED AND SHOULD NOT BE USED WITHOUT WRITTEN PERMISSION								

6

5

4

3

2

1