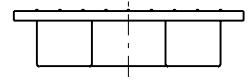
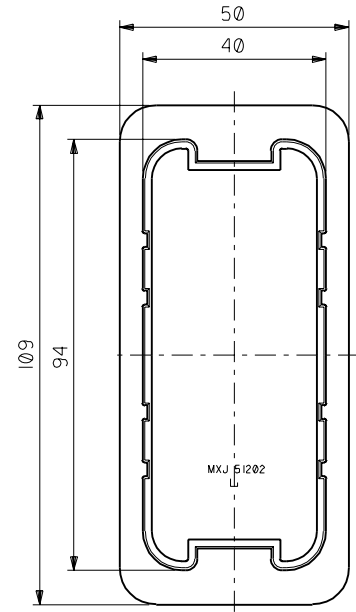
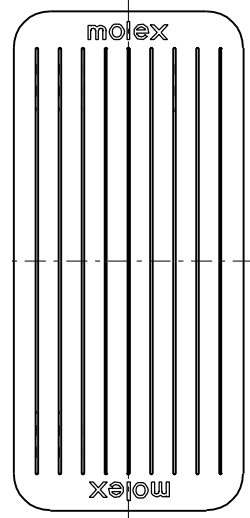


DWG. NO. SD-51202-002



58719-0020	B	51202-0001	51202-0001
58719-0010	A		
適用レセプタクルシエルアッセンブリ APPLICABLE RECEPTACLE SHELL ASS'Y	TYPE	MATERIAL NO.	MODEL NO.

DO NOT SCALE DRAWING

EC NO. DRWN: CHK: APPR:	EC NO. DRWN: CHK: APPR:	EC NO. DRWN: CHK: APPR:	REVISED '98/12/23 EC NO. JD90894 DRWN: Y.TETSUKA CHK: SAKIYAMA/YO.ITO APPR:H.IKESUGI	REVISED '98/09/28 EC NO. JD90454 DRWN: Y.TETSUKA CHK: SAKIYAMA/YO.ITO APPR:H.IKESUGI	REVISIONS
A					1
					0

MATERIAL 材料	ABS樹脂 UL94V-2 色:黒色 COLOR:BLACK	GENERAL TOLERANCES: (UNLESS SPECIFIED) 一般公差	SCALE 1:1	DESIGN UNITS <input checked="" type="checkbox"/> mm <input type="checkbox"/> INCH	DIMENSIONS: <input type="checkbox"/> mm <input type="checkbox"/> INCH <input checked="" type="checkbox"/> mm ONLY	SHT REV
FINISH 仕上り	—	10 UNDER 未満	+0.2	DRAWN BY & DATE Y.TETSUKA '98/09/28	THIRD ANGLE PROJECTION	REVISE ON CAD ONLY
WIRE RANGE 適用電線範囲	—	10 OVER 以上	+0.25	CHECKED BY & DATE S. Adigama/Y.O. '98/09/28		TITLE: POWER CONN. 48P REC.DUST COVER FOR 58719
INS. RANGE 被覆外径	—	30 OVER 以上	+0.3	APPROVED BY & DATE H. Ito '98/09/28		MATERIAL NO. SEE CHART
		ANGLE 角度	+3°	CAD FILENAME 51202002.S01	DRAWING NO. SD-51202-002	SHEET NO. 1 OF 1
THIS DRAWING CONTAINS INFORMATION THAT IS PROPRIETARY TO MOLEX INCORPORATED AND SHOULD NOT BE USED WITHOUT WRITTEN PERMISSION.					SIZE B	