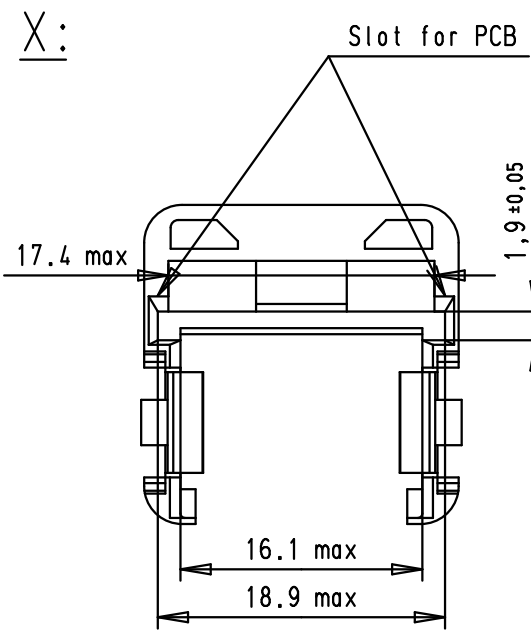
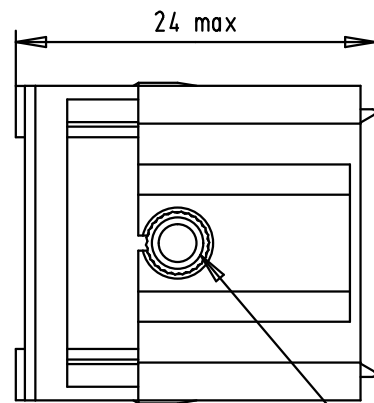
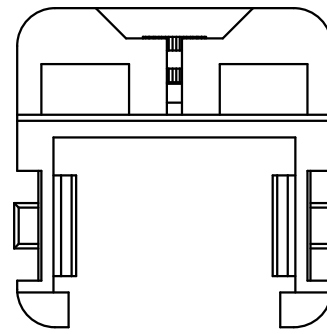
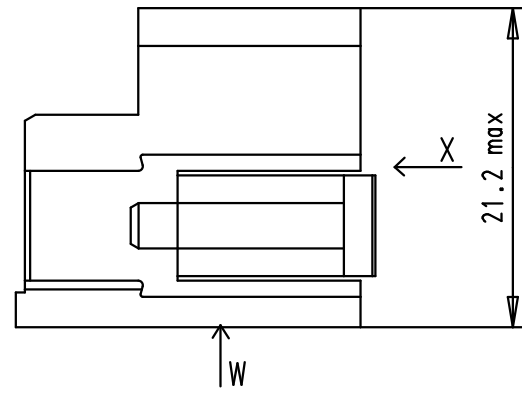
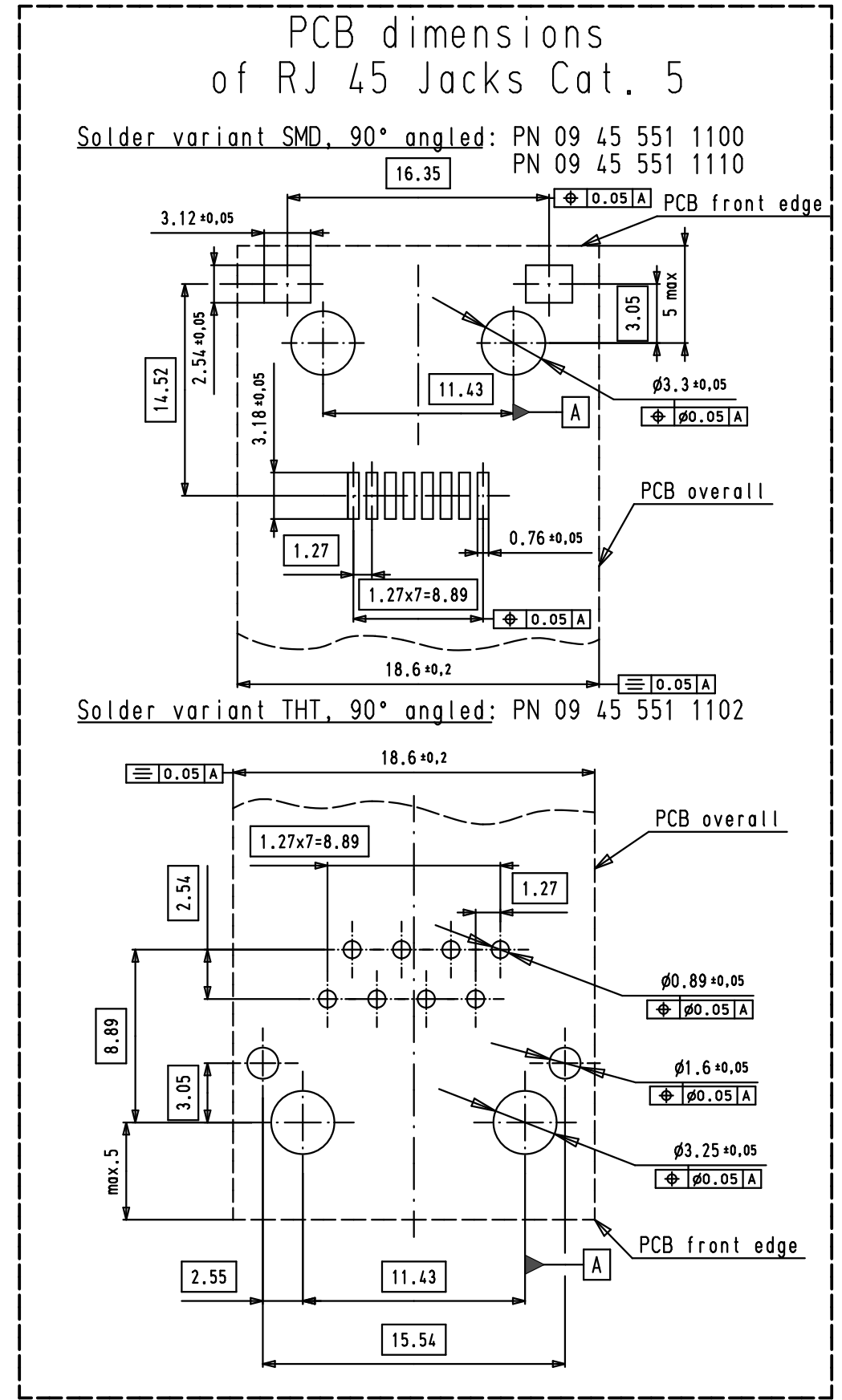
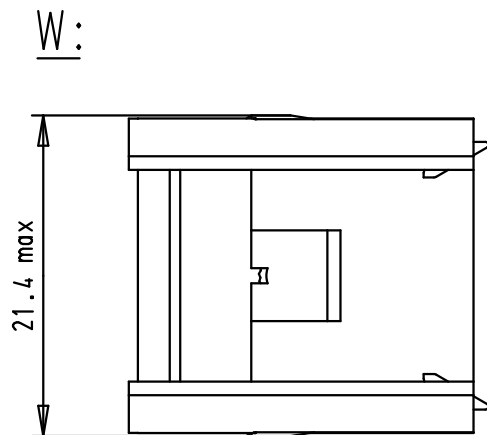
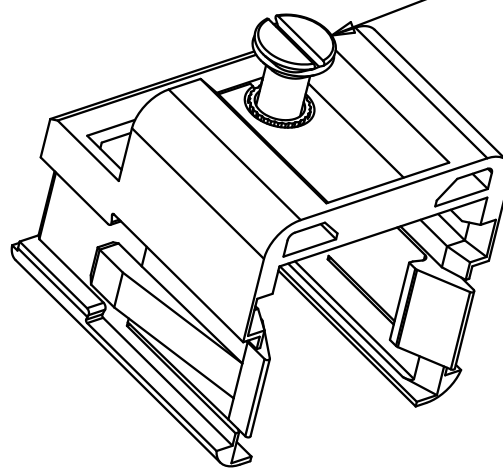


Alle Rechte vorbehalten/ All rights reserved



The adapter is delivered with screw + seal



			Det.	Name	 Han 3A RJ 45 Adapter for fixing of RJ45 fixed female with fixing clip for Han3A receptacle housing	Maßstab/ Scale	
			Detail.	06/06/08		AB	2:1
			Insp.				
			Stand.				
35060	24/06/08	AB	HARTING EURL F-95972 Paris			TB 09 45 515 0020	Blatt/ Page 1 / 1
35054	06/06/08	AB					
Mod.	Det.	Name				Sub.	