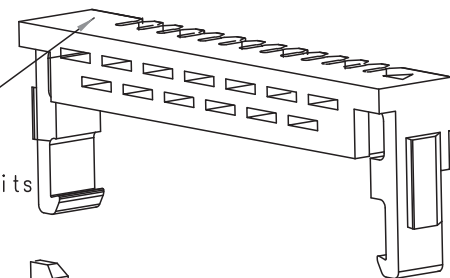
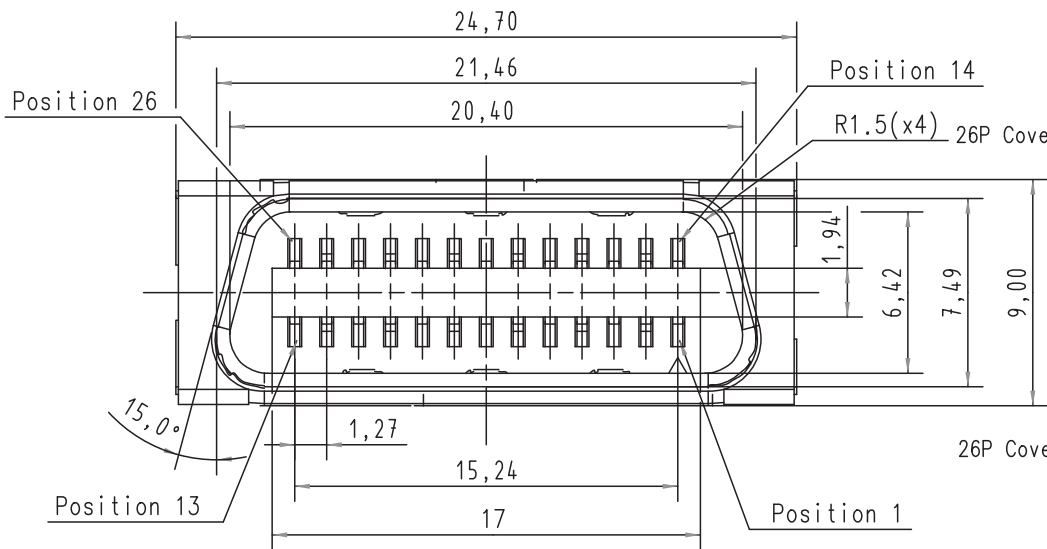
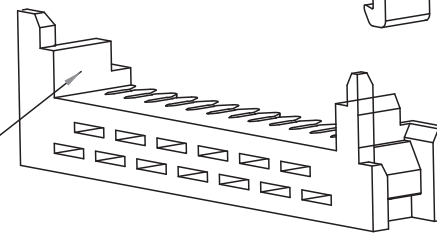


26P Har.Mik Bellow IDC Male Connector



26P Cover One With Big Slits



26P Cover Two With Big Slits

This Connector is according to IEC 61076-3-100

All Dimensions in mm Original Size DIN A 3			Techn. Character.			Free size tolerances			
			Dat.	Name	Scale	<i>har.mik</i> [®] I/O bellow 26 poles IDC male connector for wire insulator O.D from 0.75mm to 0.90mm			
			06-MAR-08	SW					
			Insp.						
			Stand.						
31783	06-MAR-08	SW	Zhuhai Harting Limited				TB 60 13 026 5215		Page
Mod.	Dat.	Name					Sub.		

All rights reserved