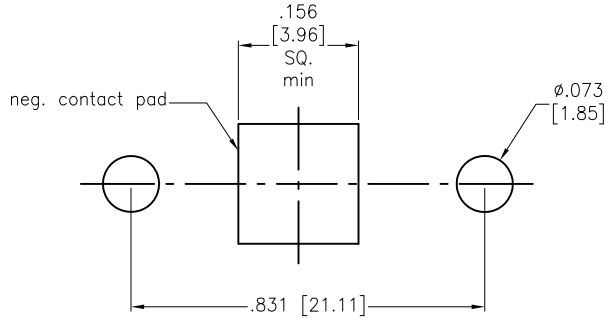
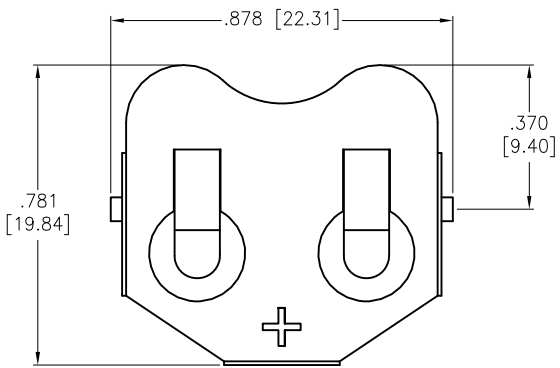
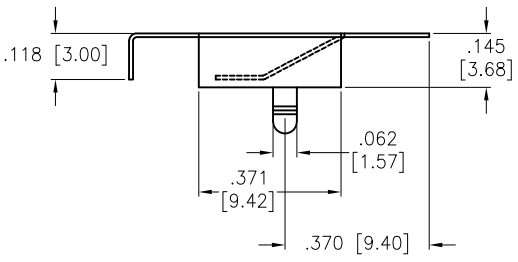
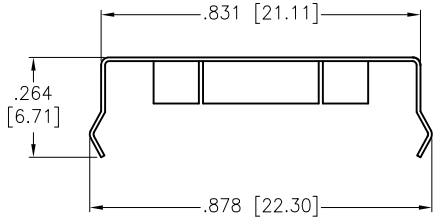


APPROVED: _____
 DATE: _____ TITLE: _____

Rev	AWO #	Description	Date	Appr
-		RELEASED	6/29/16	



RECOMMENDED PCB LAYOUT



SPECIFICATIONS:
 Material: Phosphor Bronze, Nickel plated.
 Environmental:
 Lead free, RoHS compliant



UNLESS OTHERWISE SPECIFIED
 ALL DIMENSIONS ARE INCHES [MM]
 TOLERANCES: EXCEPT AS NOTED

.X	± .10	∅X	± .10
.XX	± .020	∅XX	± .015
.XXX	± .015	∅XXX	± .010

APPROVALS		DATE
DRAWN	HR	6/29/16
CHECKED	CH	6/29/16
APPROVED		

ADAM TECH			
909 Rahway Avenue, Union, NJ 07083 Phone: 908-687-5000 Fax: 908-687-5710			
TITLE			
BATTERY CLIP			
SIZE	PART NO.	REV.	
X	BH-67A-1	-	
REF:	S00136C	SCALE:	NTS
		SHEET	1 OF 1