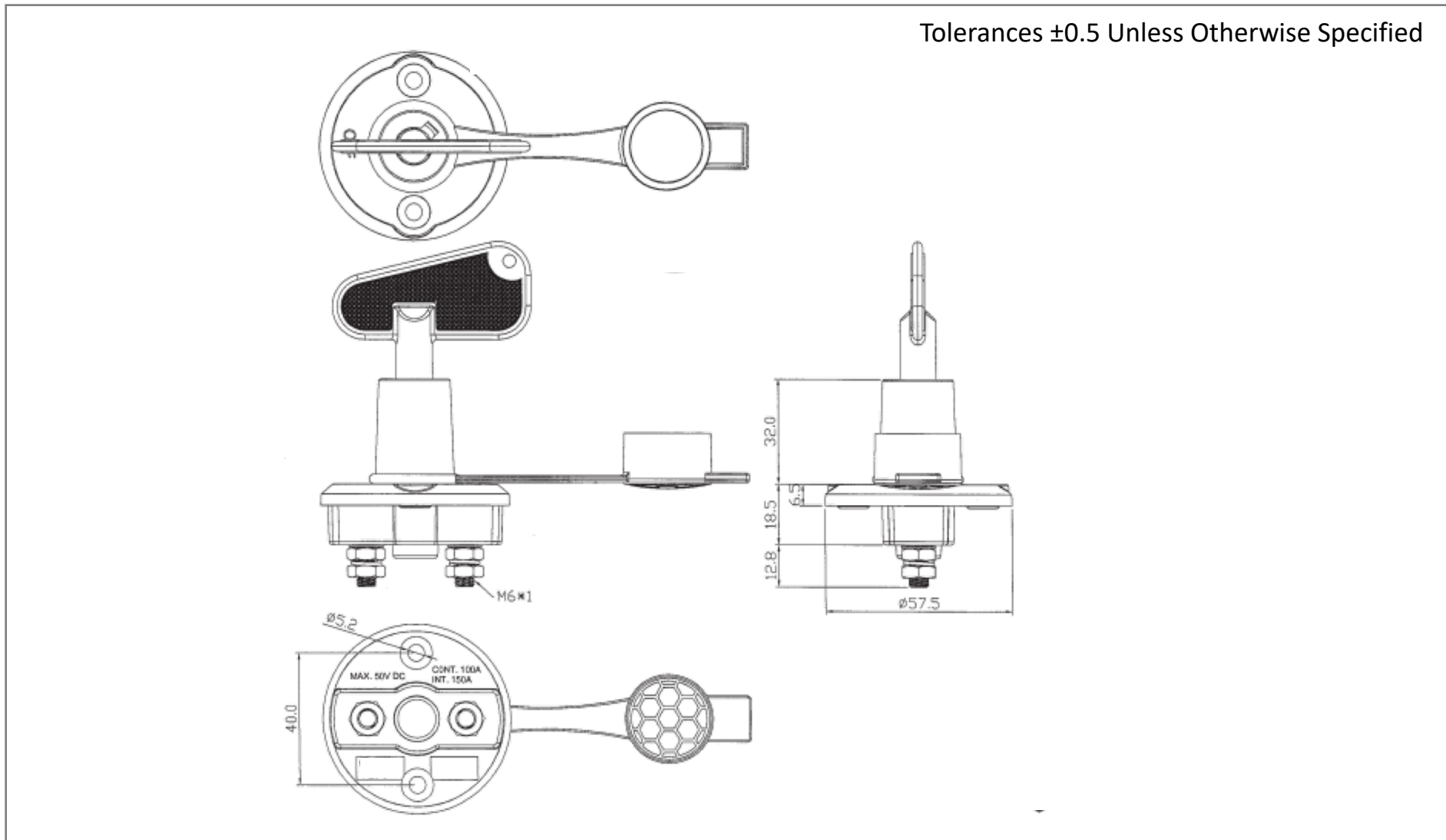


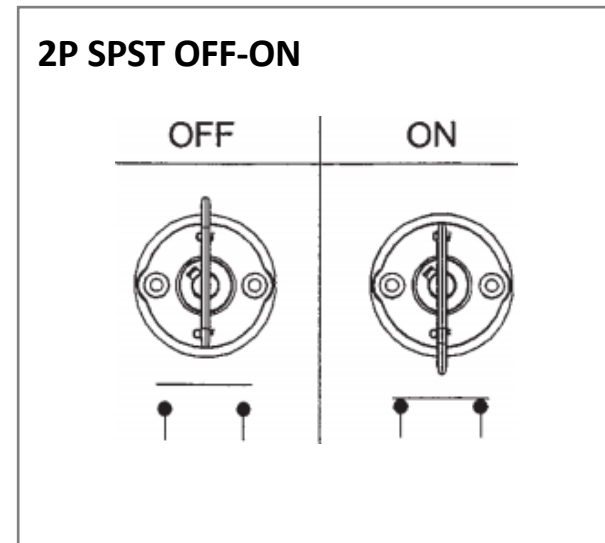
Mechanical Dimensions (mm)



Mounting Hole



Circuit Diagram



Electrical Specifications

Rating	100A 12-50V DC max	CE TÜV
Intermittent Rating	150A	
Cracking Rating	500 Amps	
Insulation Resistance	DC 500V 100M ohm Min.	
Dielectric Strength	DC 2000 / AC 1000V 1 minute	

Material Specifications

Housing	Black, PBT+15%GF w. White painting
Actuator	Red, PA#66+33%GF
Bottom	Black, PBT+15%GF
Bolt	Brass
Hex Nut	Nickel plated brass