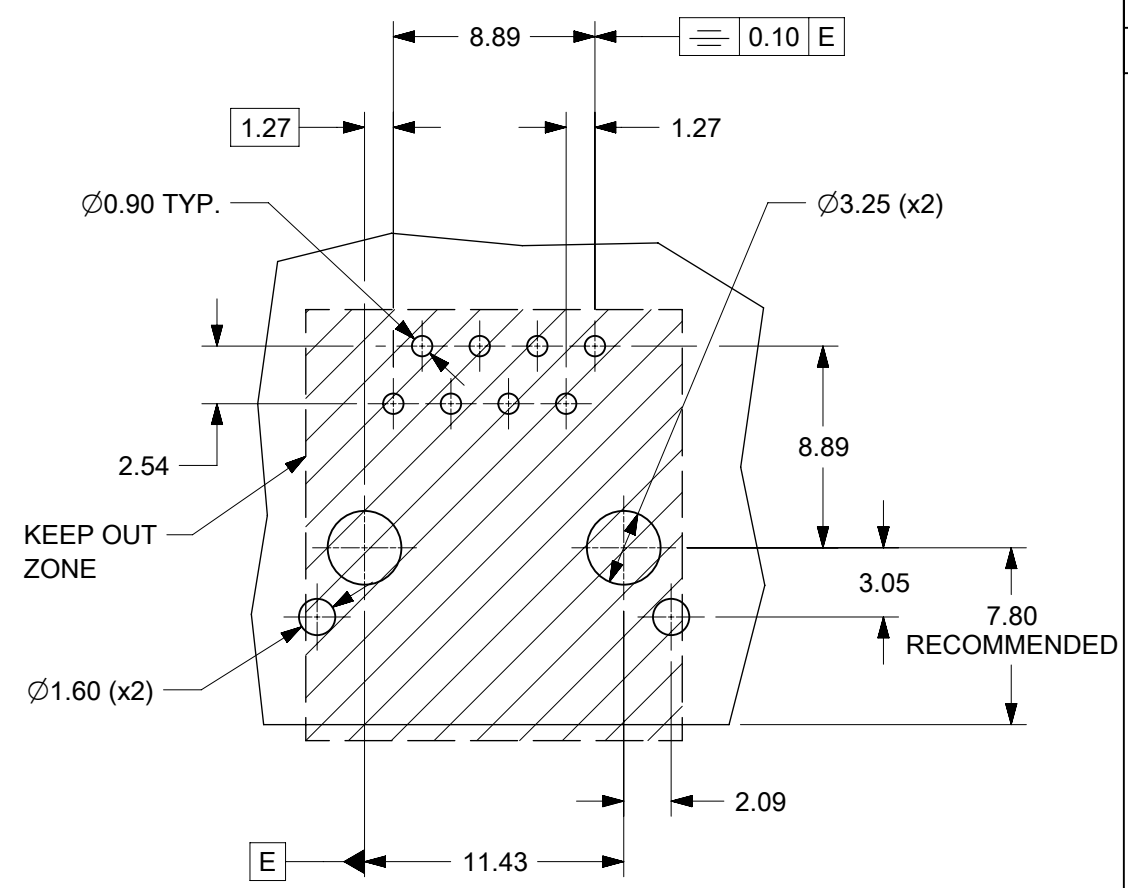
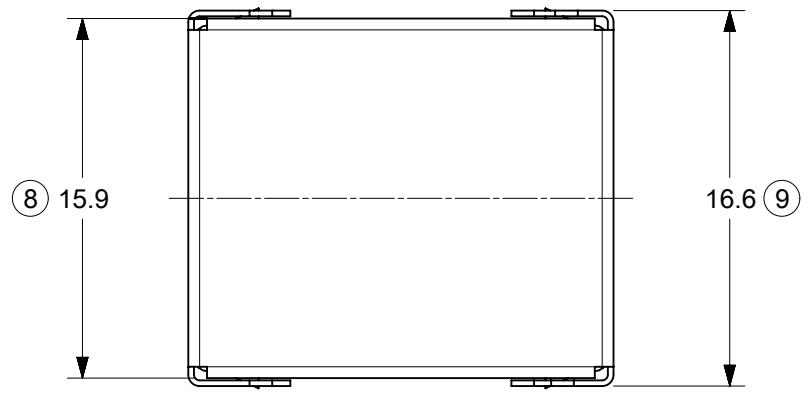
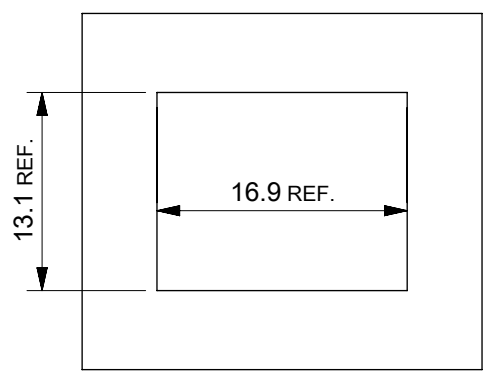


PART NO.	PACKAGING SPEC.
95622-3981	PK-95122-006



RECOMMENDED P.C.B LAYOUT
VIEW FROM COMPONENT SIDE
ALL DIMENSIONS REF DIMENSIONS

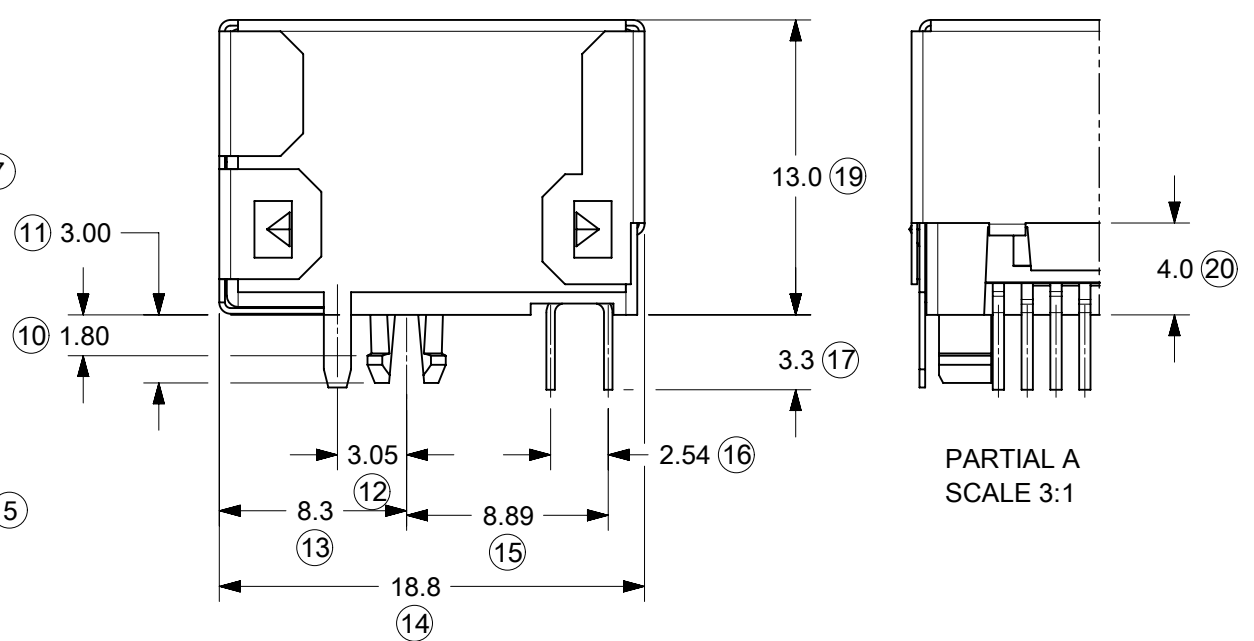
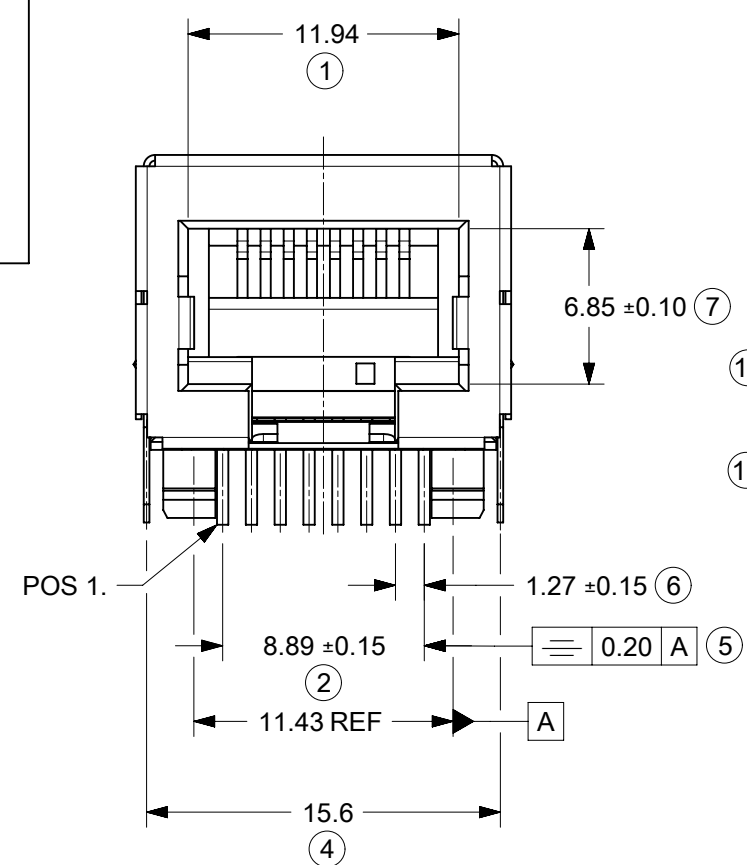
SUGGESTED PANEL CUTOUT
SCALE 2:1



TECHNICAL SPECIFICATIONS:
MATERIAL:
HOUSING: LCP GLASS FILLED UL 94-V0, COLOUR BLACK.
TERMINAL: COPPER ALLOY PLATED WITH:
BASE FINISH: NICKEL
CONTACT SURFACE FINISH:
GOLD
OR
GOLD FLASH OVER PALLADIUM NICKEL.
EXCEEDS PRODUCT REQUIREMENTS BASED ON PS-95622-001
SHIELD: COPPER ALLOY PLATED WITH TIN.

- NOTES:**
- JACK FOR MATING WITH SHIELDED PLUG MOLEX 95043 AND 85568 SERIES.
 - PRODUCT SPECIFICATION: MOLEX PS-95622-001.
 - P.C.B. THICKNESS: 1.57
 - PACKAGING SPECIFICATION: SEE CHART. TUBE PACKAGING.
 - APPLICATION SPECIFICATION: AS-85513-001

LAST INSPECTION NO.: 20
REMOVED INSPECTION NO: 3, 18



PARTIAL A
SCALE 3:1

THIS DRAWING CONTAINS INFORMATION THAT IS PROPRIETARY TO MOLEX ELECTRONIC TECHNOLOGIES, LLC AND SHOULD NOT BE USED WITHOUT WRITTEN PERMISSION		CURRENT REV DESC: ADDED PANEL CUTOUT		molex			
DIMENSION UNITS	SCALE					FULLY SHIELDED R/A MODULAR JACK 8 CKTS THROUGH HOLE-VERSION LCP	
mm	3:1			PRODUCT CUSTOMER DRAWING			
GENERAL TOLERANCES (UNLESS SPECIFIED)		EC NO: 735778		DOCUMENT NUMBER			
ANGULAR TOL ± 2.0°		DRWN: ASWINA		SD-95622-003			
4 PLACES ±		2022/12/26		DOC TYPE DOC PART REVISION			
3 PLACES ±		2023/01/27		PSD 001 G2			
2 PLACES ± 0.25		APPR: KLANG		2023/01/27			
1 PLACE ± 0.35		INITIAL REVISION:					
0 PLACES ±		DRWN: D.BYRNES		2006/07/27			
		APPR: EOMAHONY		2006/07/28			
DRAFT WHERE APPLICABLE MUST REMAIN WITHIN DIMENSIONS		THIRD ANGLE PROJECTION	DRAWING	SERIES	MATERIAL NUMBER	CUSTOMER	SHEET NUMBER
			A3-SIZE	95622	SEE CHART	GENERAL MARKET	1 OF 1