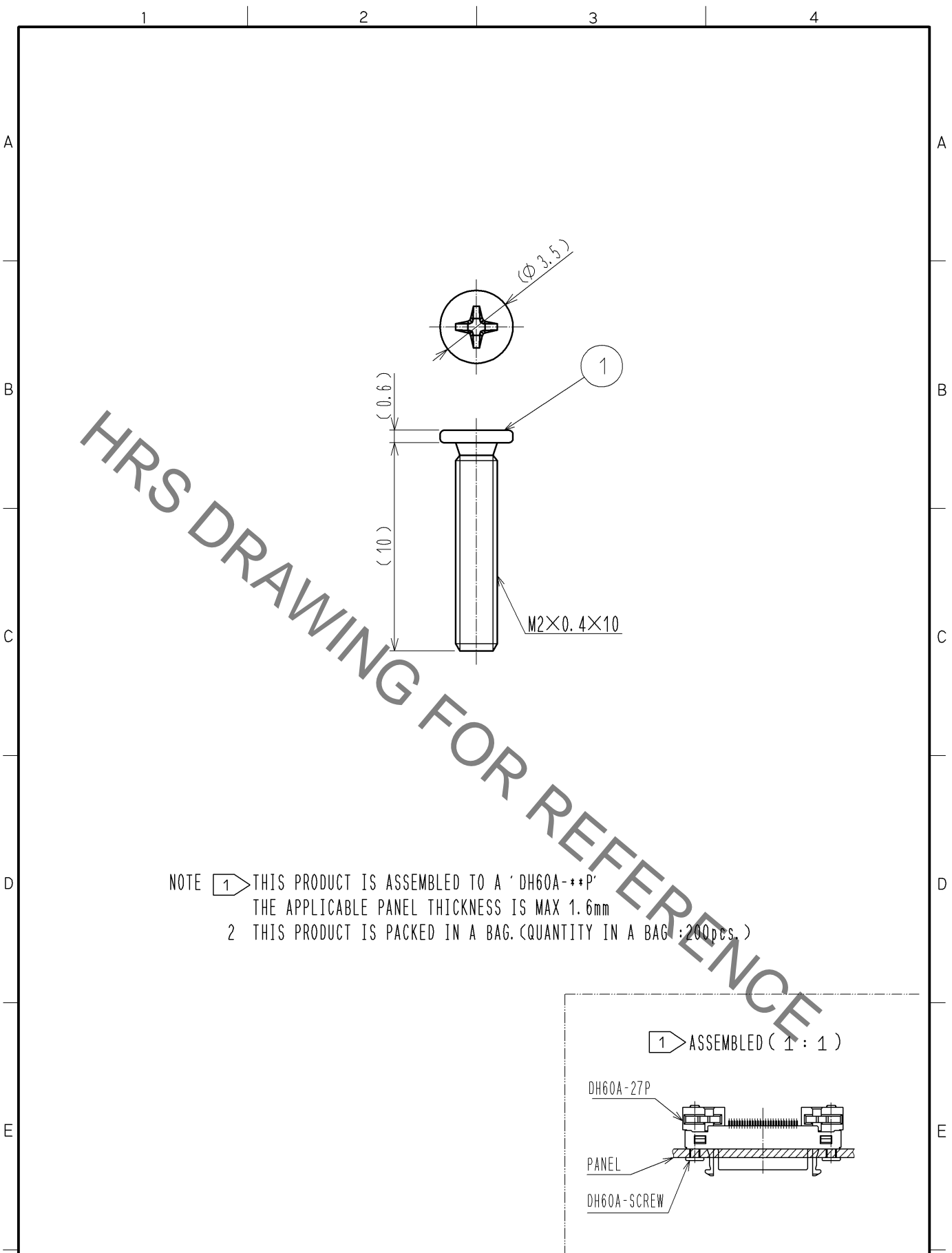
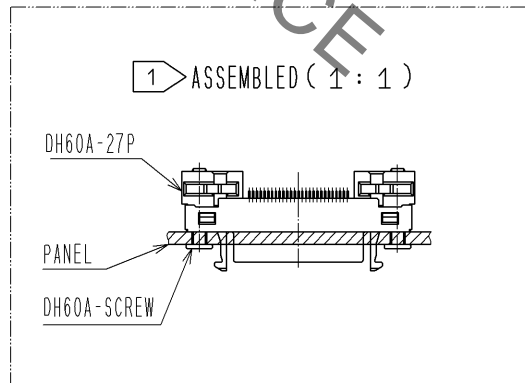


Apr.1.2023 Copyright 2023 HIROSE ELECTRIC CO., LTD. All Rights Reserved.
 In case of consideration for using Automotive equipment / device which demand high reliability, kindly contact our sales window correspondents.



NOTE 1 THIS PRODUCT IS ASSEMBLED TO A 'DH60A-**P'
 THE APPLICABLE PANEL THICKNESS IS MAX 1.6mm
 2 THIS PRODUCT IS PACKED IN A BAG. (QUANTITY IN A BAG : 200pcs.)



1	STEEL	NICKEL						
NO.	MATERIAL	FINISH .	REMARKS	NO.	MATERIAL	FINISH .	REMARKS	
UNITS mm		SCALE 4 : 1	COUNT 	DESCRIPTION OF REVISIONS		DESIGNED	CHECKED	DATE
HIROSE ELECTRIC CO., LTD.	APPROVED	: AO. SUZUKI	10. 02. 02	DRAWING NO.		EDC4-126867-00		
	CHECKED	: KN. ICHIKAWA	10. 02. 01	PART NO.		DH60A-SCREW		
	DESIGNED	: TU. TANIGUCHI	10. 02. 01	CODE NO.		CL244-0042-1-00		
	DRAWN	: TU. TANIGUCHI	10. 02. 01			1/1		