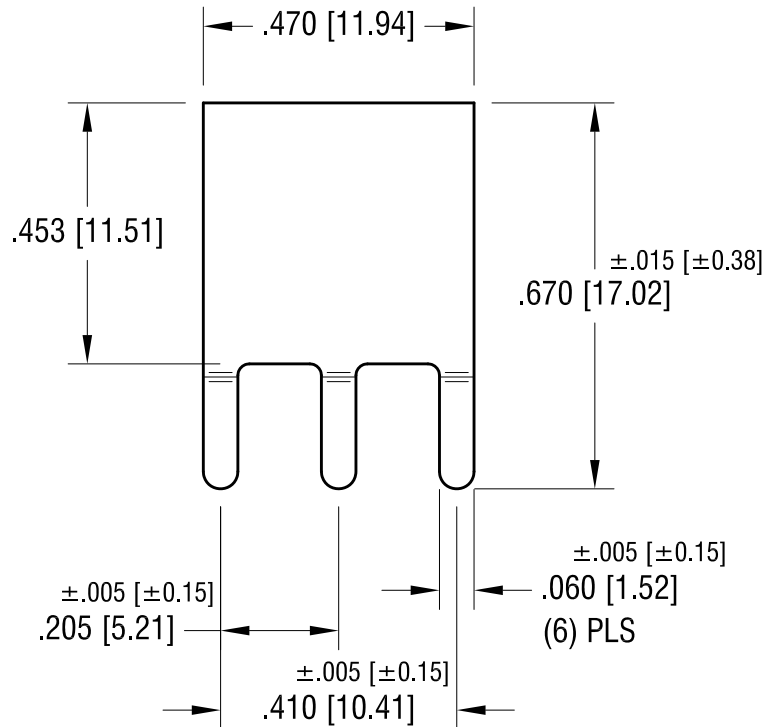
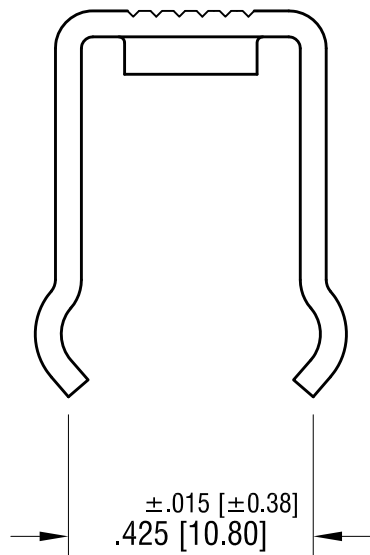
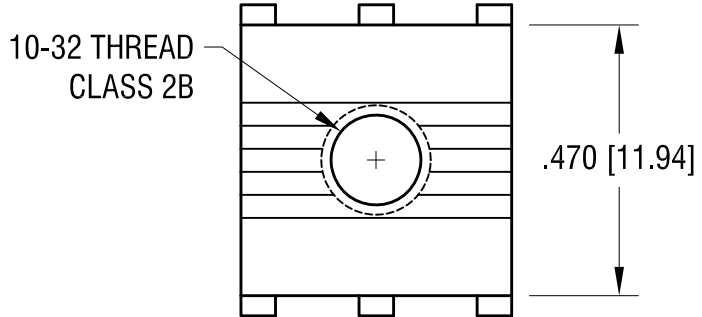
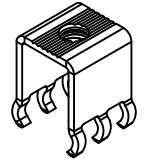
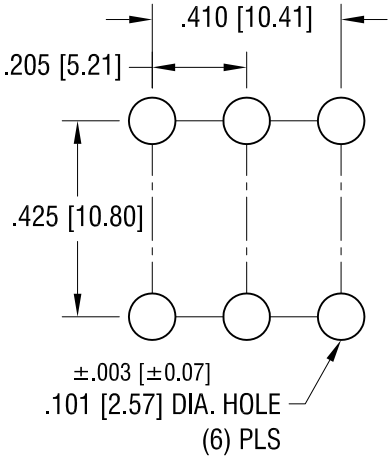


THIS DOCUMENT IS THE PROPERTY OF KEYSTONE ELECTRONICS CORP. AND SHALL NOT BE REPRODUCED, DISTRIBUTED OR USED AS A BASIS FOR MANUFACTURE WITHOUT PRIOR WRITTEN PERMISSION FROM KEYSTONE ELECTRONICS CORP.

**MOUNTING DETAIL**



3.01.16	CHANGE AS PER ECN 16-036	D
7.14.09	CHANGE AS PER ECN 09-101	C
4.9.03	CHANGE AS PER ECN 03-029	B
5.15.02	CHANGE AS PER ECN 02-045	A
DATE	DESCRIPTION	REV.

<b>KEYSTONE ELECTRONICS CORP.</b>			
www.keyelco.com • ASTORIA, N.Y. 11105-2017 • Tel (718) 956-8900			
PART NAME		PC SCREW TERMINAL	
MATERIAL		.045 [1.14] TH'K BRASS	
FINISH		DRN BY	DATE
MATTE TIN PLATE		BOONE	9.24.01
		APP'D	SCALE
		LN	3X
TOLERANCES	INCH [MM]	CODE	DWG NO.
DECIMAL	± .010 [± 0.25]	C	<b>7787</b>
ANGULAR	± 1°		
UNLESS OTHERWISE SPECIFIED			