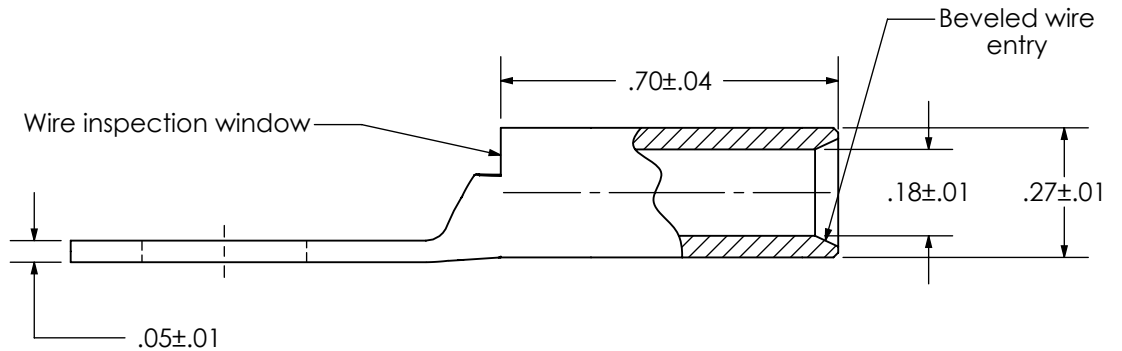
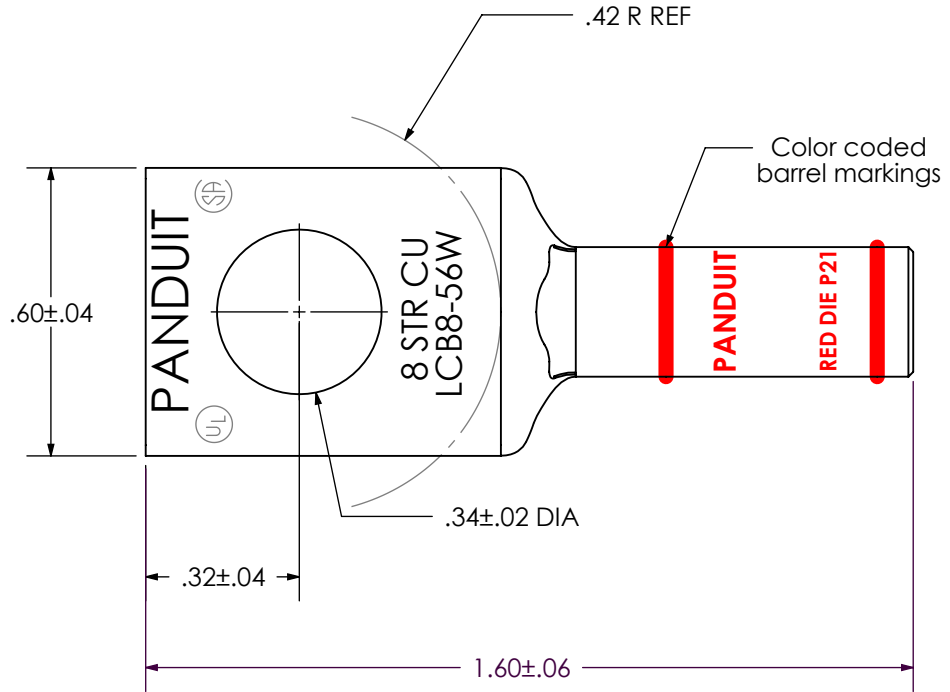


THIS COPY IS PROVIDED ON A RESTRICTED BASIS AND IS NOT TO BE USED IN ANY WAY DETRIMENTAL TO THE INTERESTS OF PANDUIT CORP.

Material	High Conductivity Seamless Copper Tube
Plating	Electro-Tin
Wire Size	8 AWG
Wire Type	Stranded Copper; Class B: Compact, Compressed or Concentric, Class C: Concentric
Wire Strip Length	3/4 in.
Stud Size	5/16 in.
UL Listed Wire Connector	Yes, for applications up to 35kv. Consult cable manufacturer for voltage stress relief instructions with applications greater than 2000 volts.
UL Temperature Rating	90° C
C.S.A Certified Wire Connector	Yes
Panduit Color Code on Barrel	RED
Panduit Die Index No. on Barrel	P21
Alternate Industry Die Index No. () on Barrel	N/A



00	6/11	JHNU	JHNU	DRAWING RELEASED	10J012BW-LCB8-56W-CUST	RGB	RGB
REV	DATE	BY	CHK	DESCRIPTION	ECN	-R	CHK

PANDUIT CORP. TINLEY PARK, ILLINOIS

LCB8-56W-L
Copper Lug - One-Hole, Long Barrel

SCALE N/A

DRAWING NO / CAD FILE

LCB8-56W-CUST