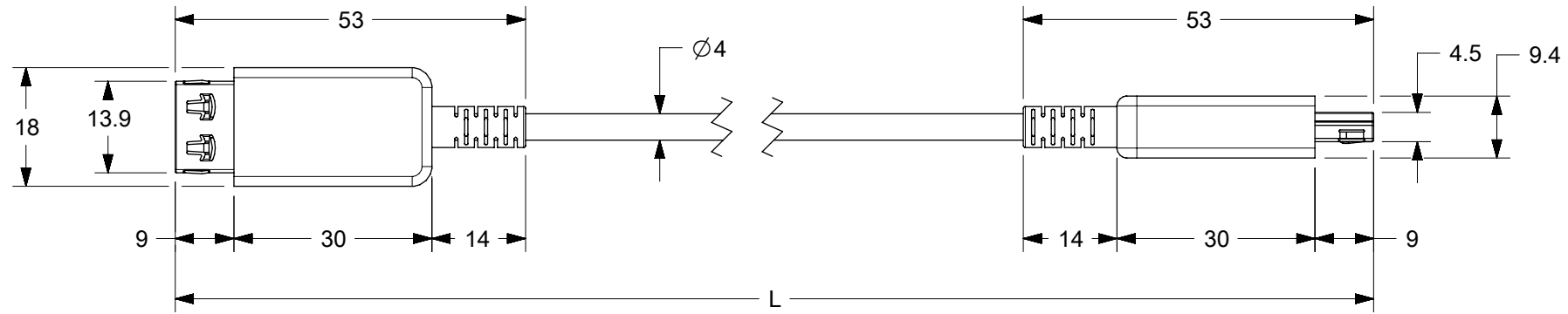


HDMI AOC P/N	OVERALL LENGTH, L (m)
1064133001	1
1064133003	3
1064133005	5
1064133010	10
1064133020	20
1064133030	30
1064133050	50
1064133100	100



- NOTES:
1. MEETS STANDARD HDMI2.0 SPECIFICATION.
 2. MATERIAL:
BACKSHELL - GLOSSY PLASTIC SHELL (ABS+PC)
CABLE - BLACK, FIRE RATING: CMP, INLCUDE 7X AWG26 COPPER WIRES AND 4X MULTIMODE FIBERS (50/125 μ m, OM2), KEVLAR FILLS AND THE TENSION CAN REACH 200 N
 3. HDMI T-GRIP CONNECTOR.

SYMBOLS										THIS DRAWING CONTAINS INFORMATION THAT IS PROPRIETARY TO MOLEX ELECTRONIC TECHNOLOGIES, LLC AND SHOULD NOT BE USED WITHOUT WRITTEN PERMISSION															
DIMENSION UNITS		SCALE		CURRENT REV DESC:																					
mm		1:1		EC NO: 175141																					
= 0		GENERAL TOLERANCES (UNLESS SPECIFIED)		DRWN: IGUMIN 2018/04/06										HDMI 2.0 ACTIVE OPTICAL CABLE											
= 0		ANGULAR TOL ± °		CHK'D: IGUMIN 2018/04/24										PRODUCT CUSTOMER DRAWING											
= 0		4 PLACES ±		APPR: IGUMIN 2018/04/24										INITIAL REVISION:											
= 0		3 PLACES ±		DRWN: IGUMIN 2018/04/06										DOCUMENT NUMBER		DOC TYPE		DOC PART		REVISION					
= 0		2 PLACES ±		APPR: IGUMIN 2018/04/24										1064133001		PSD		000		A					
= 0		1 PLACE ±		DRAFT WHERE APPLICABLE MUST REMAIN WITHIN DIMENSIONS										THIRD ANGLE PROJECTION		DRAWING		SERIES		MATERIAL NUMBER		CUSTOMER		SHEET NUMBER	
= 0		0 PLACES ±		A-SIZE		106413		SEE TABLE						1 OF 1											