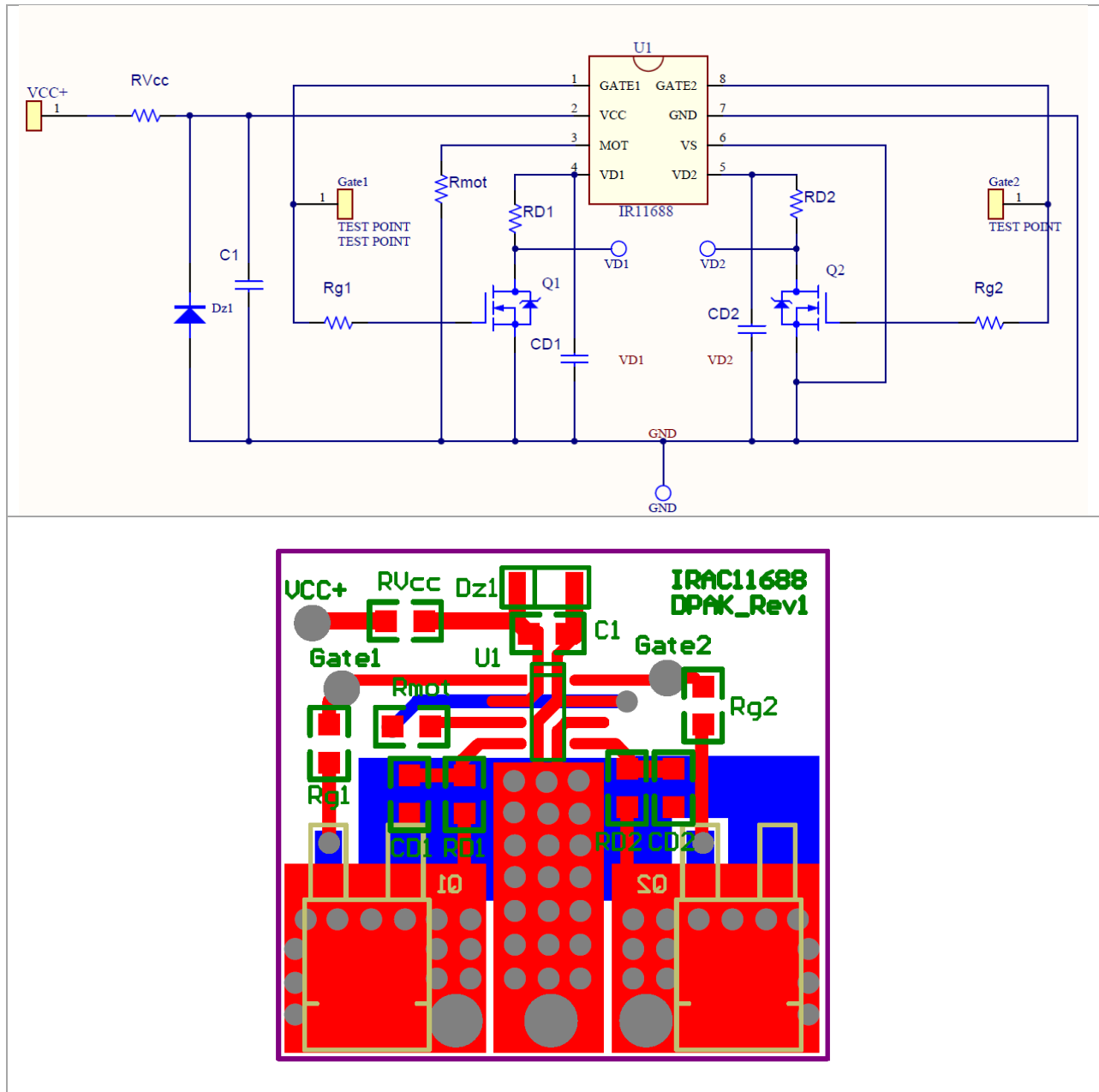


IR11688 DPAK Daughter Card

IRAC11688-DPAK

The schematic and PCB layout of the DPAK daughter board are shown below



The daughter card shown above is designed to allow easy retrofit in existing systems with minimal system changes. The component values are recommended but user has freedom to change them per application requirement.

MOT= $\sim 1\mu\text{s}$ at $47\text{k}\Omega$ Rmot. This resistor can be changed per application requirement.

Rcc	$10\Omega \sim 510\Omega$
CVcc	1uF
Dz1	12V zener or N/C
Rmot	$47\text{k}\Omega$
Rg1, Rg2	1Ω
RD1, RD2	1Ω
CD1, CD2	N/C
Q1, Q2	