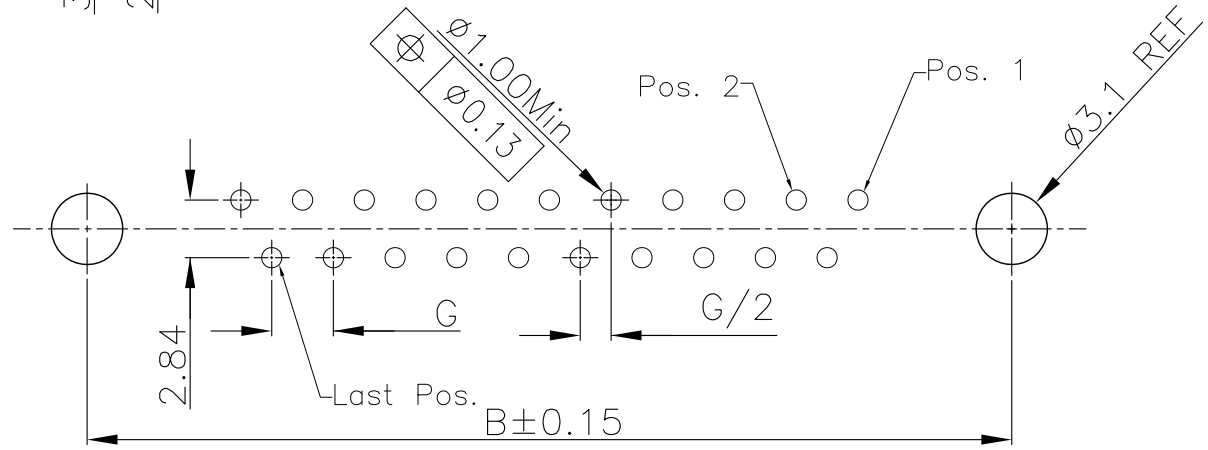
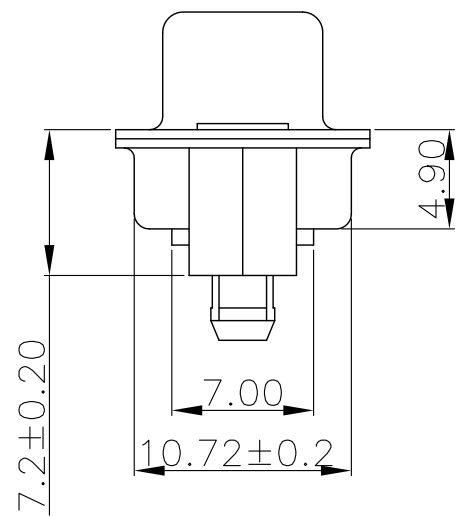
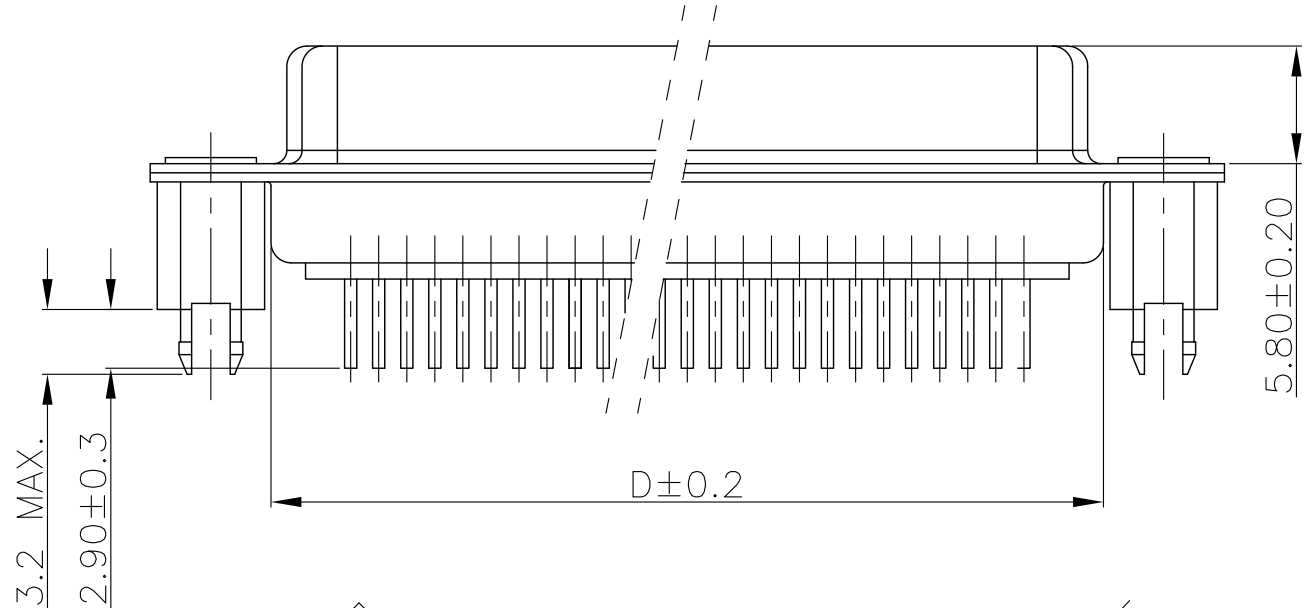
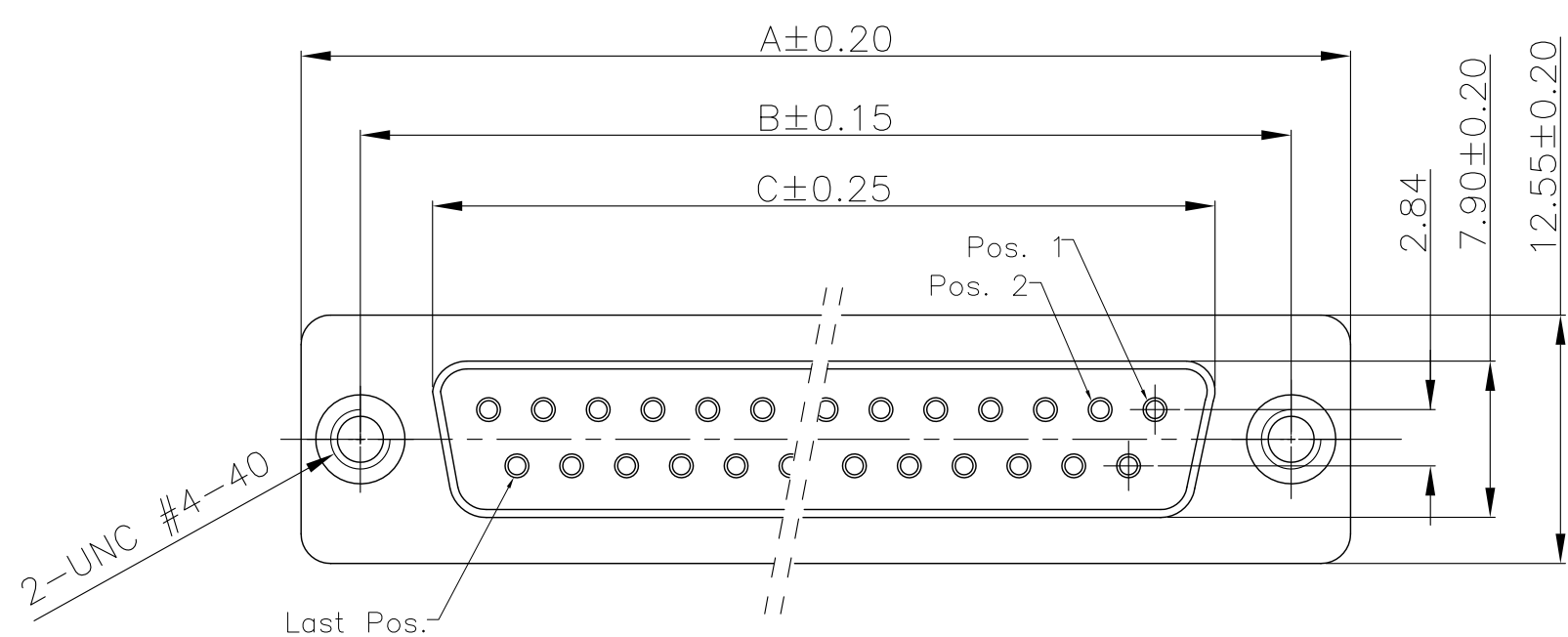


Tous droits strictement reserves. Reproduction ou communication a des tiers interdite sous quelque forme que ce soit sans autorisation ecrite du proprietaire. Propriete de c FCI. Droits de reproduction FCI.



All rights strictly reserved. Reproduction or issue to third parties in any form whatever is not permitted without written authority from the proprietor. Property of FCI. Copyright FCI.



P.C.B LAYOUT  
t: 1.6±0.1MM

REMARK:

1.CHARACTERISTICS:  
 RATED VOLTAGE: 250V  
 RATED CURRENT: 5AMP  
 CONTACT RESISTANCE: 25mohms MAX.INITIAL;40mohms MAX.AFTER.  
 INSULATION RESISTANCE: 5000Mohms MIN.at 500V DC  
 DIELECTRIC STRENGTH: 1000VRMS  
 OPERATING TEMPERATURE RANGE: -55°C~105°C  
 INSERTION/EXTRACTION FORCE PER CONTACT:5N Max./0.3N Min.  
 MATING/UNMATING CYCLES:50MATINGS MIN.

2.MATERIAL:

INSULATORS: GLASS-FILLED THERMOPLASTIC UL94V-0, COLOR IN BLACK.  
 CONTACTS: COPPER ALLOY, SELECTIVE GOLD ON CONTACT AREA,  
 100u" Min MATTE TIN TOP OVER SOLDER AREA,  
 30u" Min NICKEL UNDER PLATE.  
 SHELL: STEEL,100u" Min NICKEL TOP OVER,  
 50u" Min COPPER UNDER PLATE.  
 CLINCH NUT :COPPER ALLOY,100u" Min MATTE TIN PLATED.

3. PART NUMBER DESCRIPTION:

**10090098-S XX 4 X LF**  
 SERIES NO. \_\_\_\_\_  
 TYPE \_\_\_\_\_  
 S: SOCKET (FEMALE)  
 NUMBER OF CONTACTS \_\_\_\_\_  
 09: 9-PIN  
 15: 15-PIN  
 25: 25-PIN  
 37: 37-PIN  
 LF: ROHS COMPLIANT  
 FLANGE MOUNTING OPTION  
 X: UNC #4-40 CLINCHNUTS  
 CONTACT FINISH  
 4: GOLD FLASH

POS.	PART NO.	THREAD TYPE
9	10090098-S094XLF	UNC 4-40
15	10090098-S154XLF	UNC 4-40
25	10090098-S254XLF	UNC 4-40
37	10090098-S374XLF	UNC 4-40

POS.	A	B	C	D	G
09	30.81	24.99	16.33	19.28	2.74
15	39.24	33.32	24.66	27.75	2.74
25	53.04	47.04	38.38	41.30	2.77
37	69.32	63.50	54.84	57.40	2.77

mat'l. code				tolerances unless otherwise specified		CUSTOMER COPY		FCI www.fciconnect.com		
ltr	ecn no	dr	date	linear	.X ± 0.38		projection	title D-SUB FEMALE STRAIGHT		
A	T09-1033	J.H	3/13/09		.XX ± 0.25					
B	T09-1044	J.H	4/2/09	angles	.XXX ± 0.10		MM	product family D-SUB code TWN		
C	ELX-I-15340	M.P	07/25/13		0° ±2°					
D	ELX-I-15500	A.B	2013/08/21	dr	JASON HSU	3/12/09	scale 1:1	A4	10090098	sheet 1 of 2
				enrg	ALIAS BABU	2013/08/21				
				chr	MITHUN PAUL	2013/08/21				
				appd	BIJU K PAUL	2013/08/21				
sheet index	revision sheet	D	D							
		1	2							

Tous droits strictement réservés. Reproduction ou communication a des tiers interdite sous quelque forme que ce soit sans autorisation écrite du propriétaire. Propriété de c FCI. Droits de reproduction FCI.



All rights strictly reserved. Reproduction or issue to third parties in any form whatever is not permitted without written authority from the proprietor. Property of FCI. Copyright FCI.

1 | 2

3 |

4

REMARK:

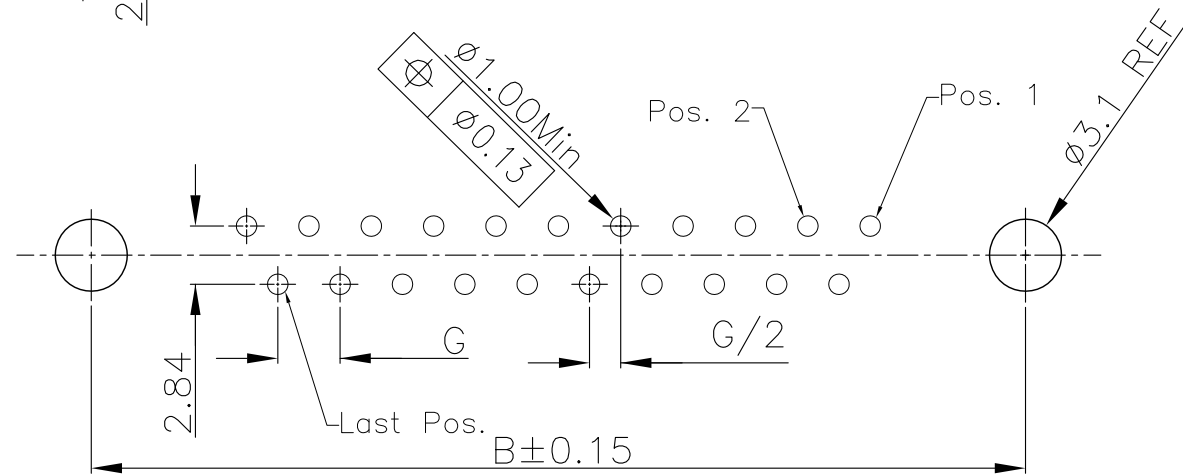
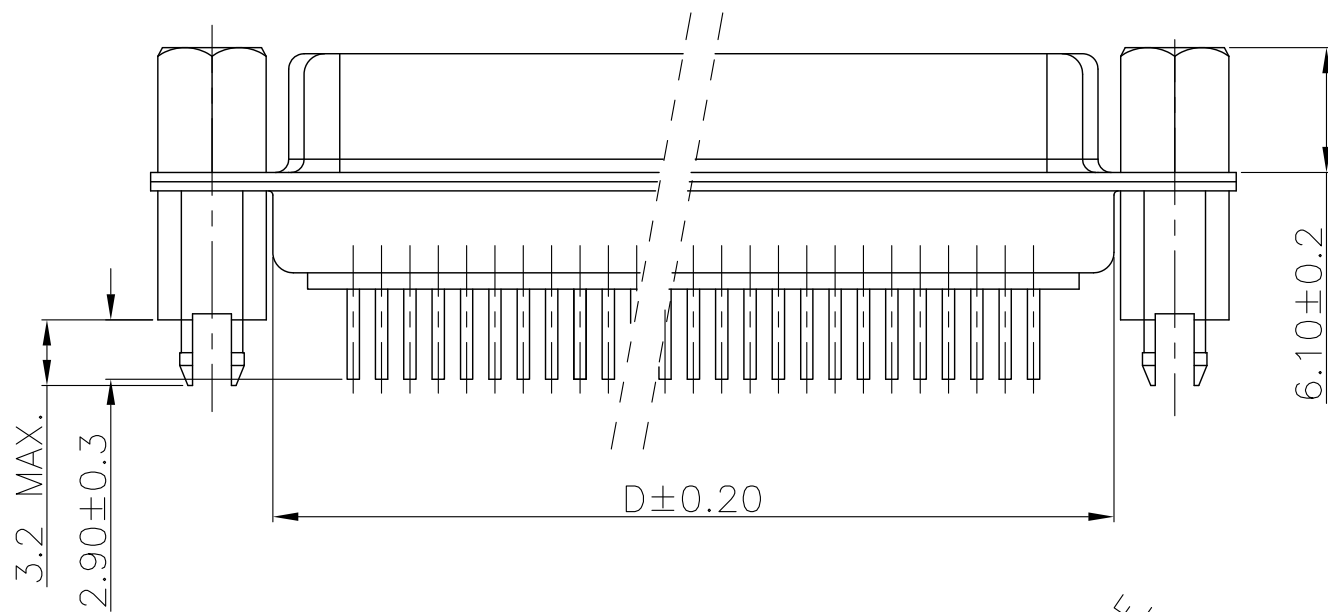
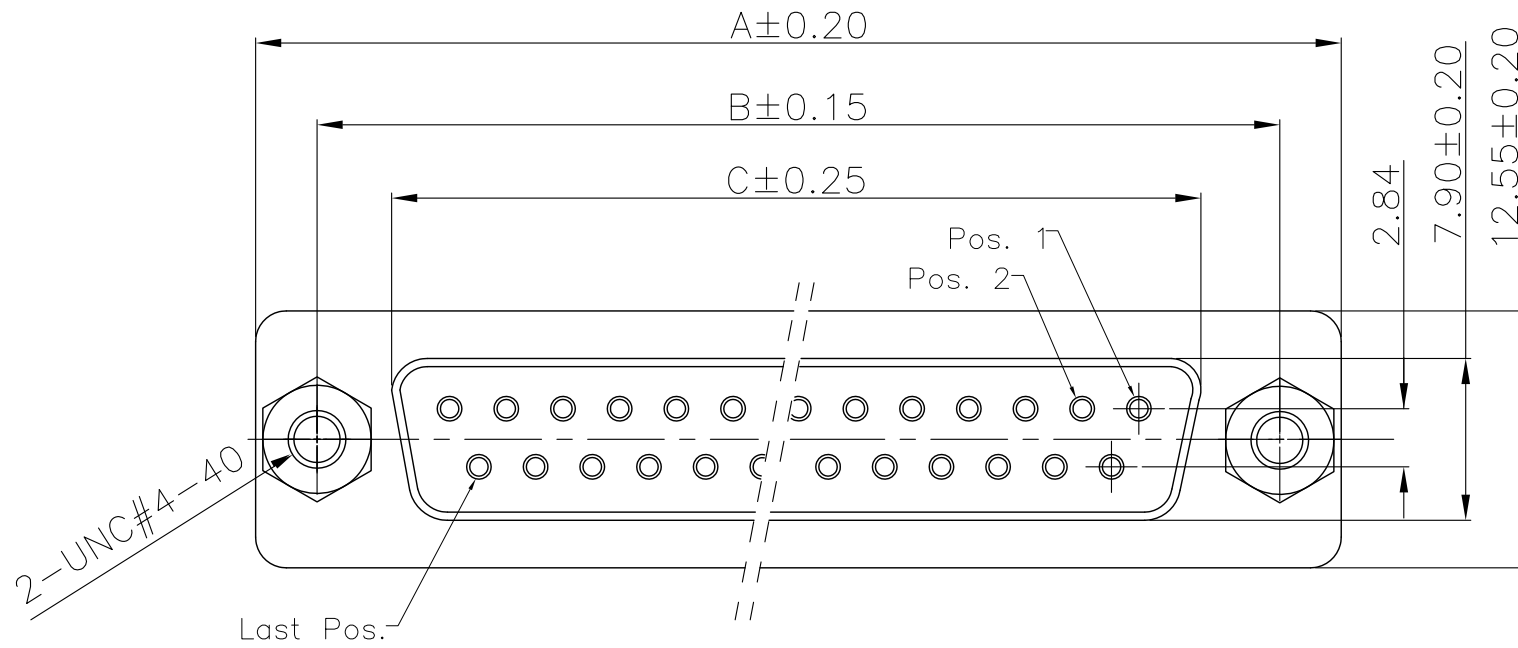
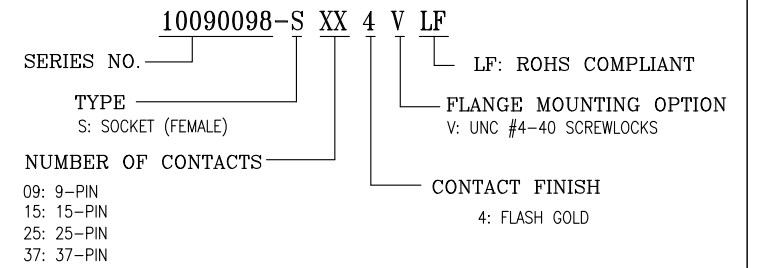
1.CHARACTERISTICS:

RATED VOLTAGE: 250V  
 RATED CURRENT: 5AMP  
 CONTACT RESISTANCE: 25mohms MAX.INITIAL ;40mohms MAX.AFTER.  
 INSULATION RESISTANCE: 5000Mohms MIN.at 500V DC  
 DIELECTRIC STRENGTH: 1000VRMS  
 OPERATING TEMPERATURE RANGE: -55°C~105°C  
 INSERTION/EXTRACTION FORCE PER CONTACT :5N Max./0.3N Min.  
 MATING/UNMATING CYCLES :50MATINGS MIN.

2.MATERIAL:

INSULATORS: GLASS-FILLED THERMOPLASTIC UL94V-0, COLOR IN BLACK.  
 CONTACTS: COPPER ALLOY,SELECTIVE GOLD ON CONTACT AREA,  
 100u" Min MATTE TIN TOP OVER SOLDER AREA,  
 30u" Min NICKEL UNDER PLATE.  
 SHELL: STEEL,100u" Min NICKEL TOP OVER,  
 50u" Min COPPER UNDER PLATE.  
 CLINCH NUT :COPPER ALLOY,100u" Min MATTE TIN PLATED.  
 SCREW LOCK: COPPER ALLOY, 100u" Min BRIGHT NICKEL PLATED.

3. PART NUMBER DESCRIPTION:



P.C.B LAYOUT  
 t: 1.6±0.1MM

POS.	PART NO.	A	B	C	D	G
09	10090098-S094VLF	30.81	24.99	16.33	19.28	2.74
15	10090098-S154VLF	39.24	33.32	24.66	27.75	2.74
25	10090098-S254VLF	53.04	47.04	38.38	41.30	2.77
37	10090098-S374VLF	69.32	63.50	54.84	57.40	2.77

mat'l. code				tolerances unless otherwise specified		CUSTOMER COPY		FCI www.fciconnect.com	
ltr	ecn no	dr	date	linear	.X ± 0.38	projection	title		
D					.XX ± 0.25		D-SUB FEMALE STRAIGHT		
				angles	.XXX ± 0.10	MM	product family	D-SUB	code
				dr	0° ±2°	←→	size	dwg no	TWN
				enr	JASON HSU 3/12/09	scale	A4	10090098	sheet
				chr	ALIAS BABU 2013/08/21	1:1	2 of 2		
				appd	MITHUN PAUL 2013/08/21				
sheet index	revision sheet								
							cage code	22526	

1 | 2

3 |

4