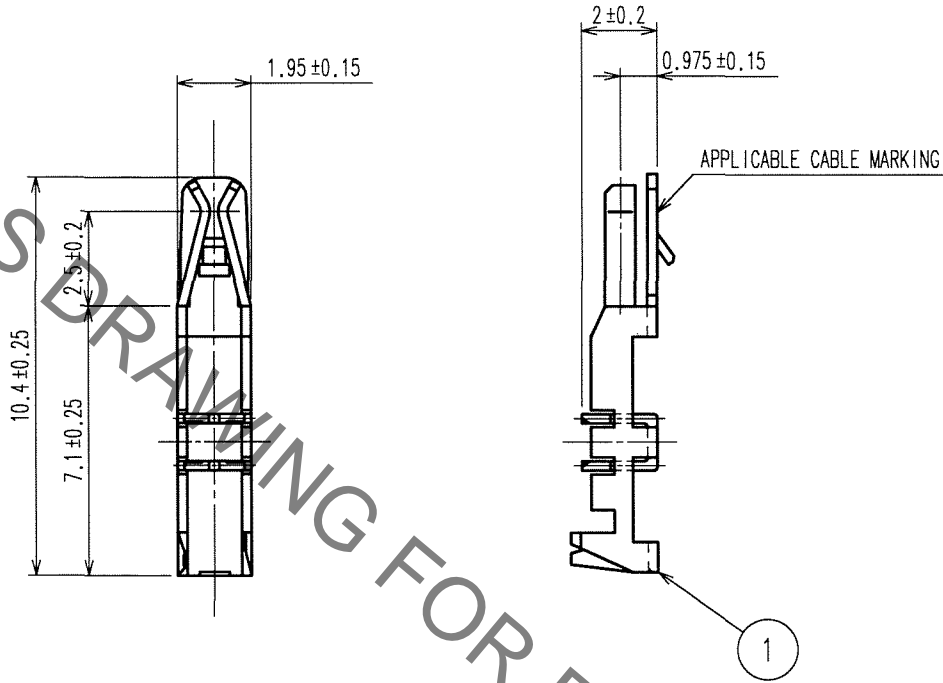


May.1.2023 Copyright 2023 HIROSE ELECTRIC CO., LTD. All Rights Reserved.
 In case of consideration for using Automotive equipment / device which demand high reliability, kindly contact our sales window correspondents.

1		2			3			4		
COUNT	DESCRIPTION OF REVISIONS	BY	CHKD	DATE	COUNT	DESCRIPTION OF REVISIONS	BY	CHKD	DATE	
△					△					
△					△					
△					△					



HRS DRAWING FOR REFERENCE

NOTE 1. APPLICABLE CABLE : AWG24
 JACKET DIAMETER : ϕ 0.9 TO 1.39
 2. 1 PACK : 100 CONNECTORS.

		1		PHOSPHOR BRONZE		TIN PLATED 1 μ m min	
NO.	MATERIAL	FINISH, REMARKS		NO.	MATERIAL	FINISH, REMARKS	
CODE NO. (OLD)				DRAWN	DESIGNED	CHECKED	APPROVED
				A.Miura	N. Hirose	H. Umehara	T. Oma
				'06.02.22	'06.02.24	'06.02.24	'06.02.28
DRAWING NO.		PART NO.		CODE NO.			
EDC4-020208-01		DF1B-R24		CL541-0220-3			
SACLE 5 : 1		HRS HIROSE ELECTRIC CO., LTD.				1 1	

TO

