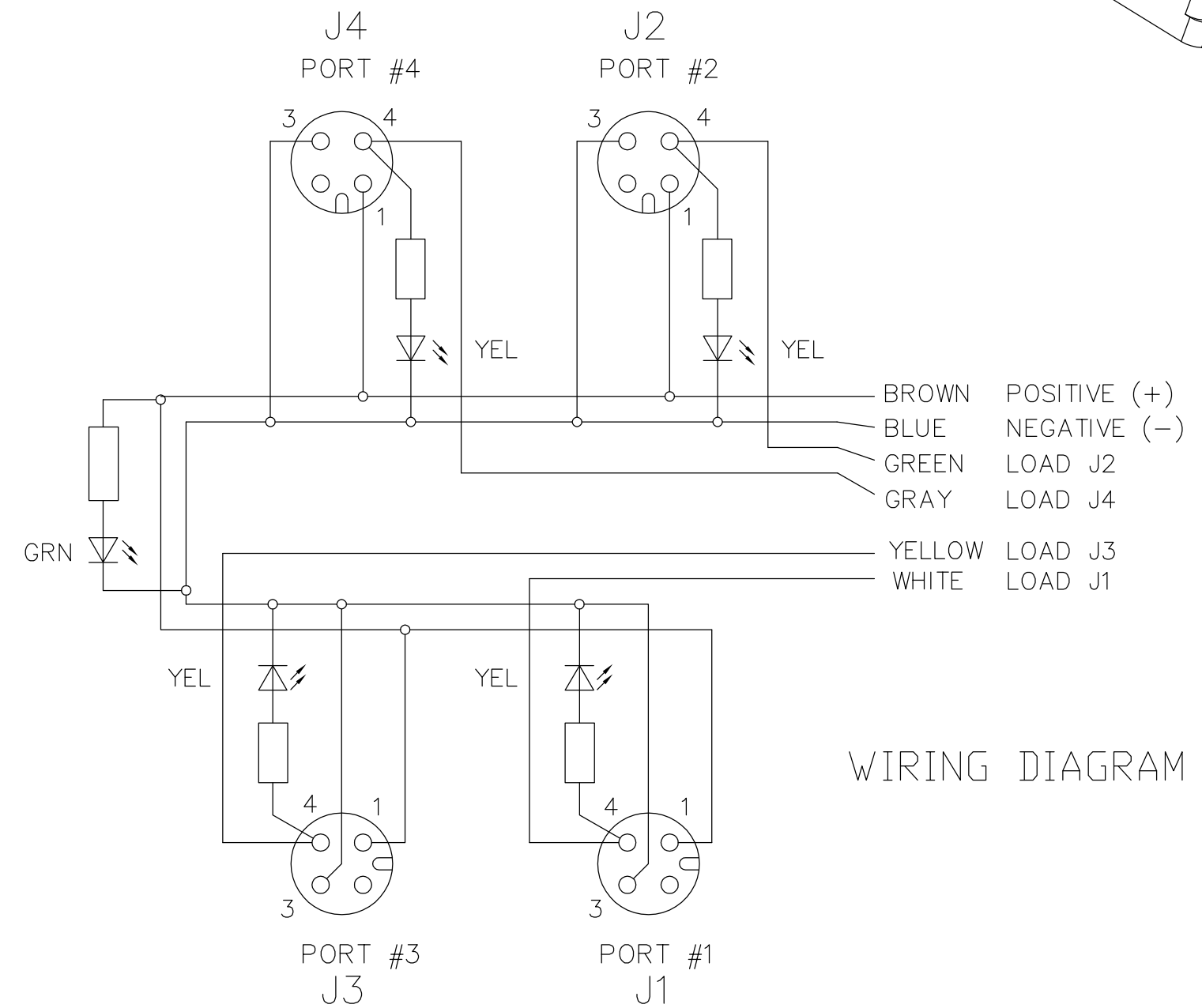
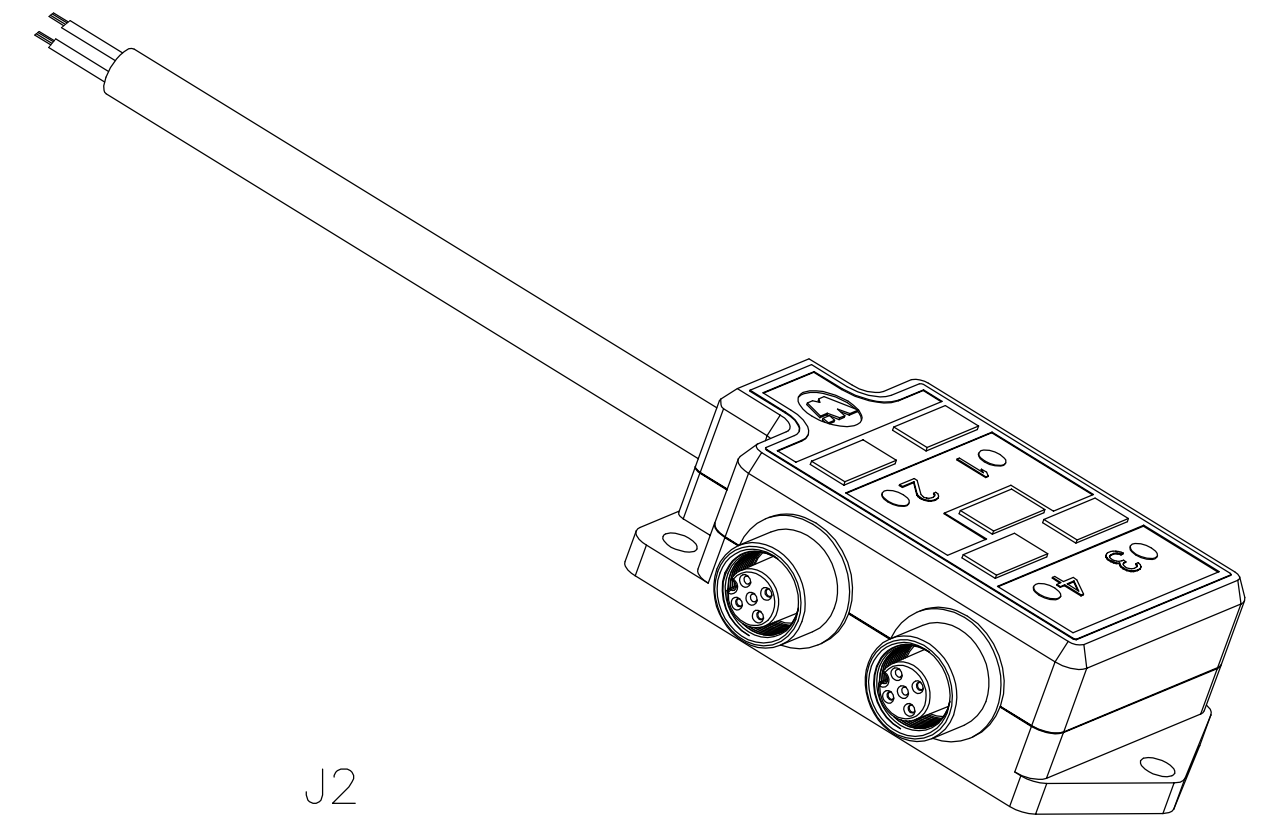
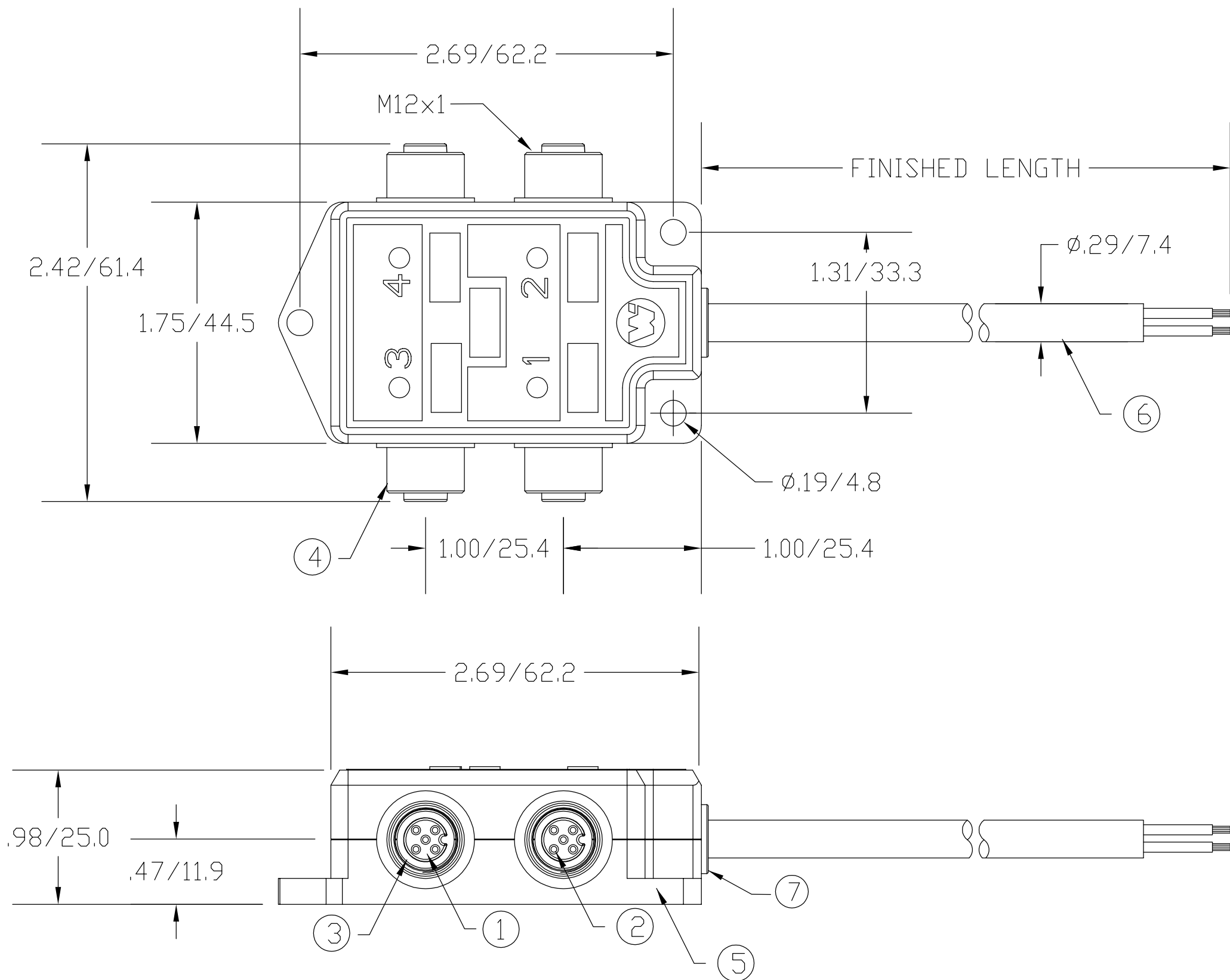


MATERIAL NUMBER	OLD PART NUMBER	FINISHED LENGTH
120115-0046	803P401	16.40' +6.50" -0 [5.0M +165.1 -0]



WIRING DIAGRAM

ITEM	COMPONENT	MATERIAL	FINISH
1	INSERT	NYLON	BLACK
2	CONTACT SOCKET	COPPER ALLOY	GOLD OVER NICKEL
3	O-RING	NITRILE	RED
4	RECEPTACLE SHELL	ZINC DIE CAST	BLACK E-COATED
5	HOUSING	NYLON	YELLOW
6	CABLE- 18AWG, (41 X #34), 1 CONDUCTOR; 22 AWG (26 X #36), 5 CONDUCTOR, 300V	PVC	YELLOW
7	GROMMET	NITRILE	BLACK

VOLTAGE RATING	10-30 VDC
AMPERAGE RATING PER PORT	4 AMPS
PROTECTION	IP67
OPERATING TEMPERATURE	-20°C TO 90°C

RLSO DRAWING EC NO: WNA2009-0641 DRWN: BWOODMAN 3/30/09 CH'KD: JM APPR: JFMURPHY 2009/04/08	QUALITY SYMBOL	GENERAL TOLERANCES (UNLESS SPECIFIED)	DIMENSION STYLE	SCALE	DESIGN UNITS	THIRD ANGLE PROJECTION  <b>MICRO-CHANGE MPIS 4 PORT SIDE MOUNT PNP PVC CABLE</b>  <b>MOLEX INCORPORATED</b>  MATERIAL NO. <b>SEE CHART</b> DOCUMENT NO. <b>SD-120115-002</b> SHEET NO. <b>1 OF 1</b>
	▽=0 ◁=0	mm INCH 4 PLACES ±--- ±--- 3 PLACES ±--- ±--- 2 PLACES ±--- ±.01 1 PLACE ±0.3 ±---	IN/MM	---	---	
		ANGULAR ±---°	DRAWN BY DATE	---	---	
		DRAFT WHERE APPLICABLE MUST REMAIN WITHIN DIMENSIONS	BW 2009/03/30 CHECKED BY DATE VO 2009/03/30 APPROVED BY DATE	---	---	
A	REV		SIZE C	THIS DRAWING CONTAINS INFORMATION THAT IS PROPRIETARY TO MOLEX INCORPORATED AND SHOULD NOT BE USED WITHOUT WRITTEN PERMISSION		