

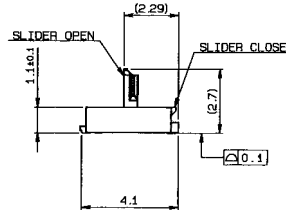
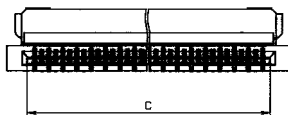
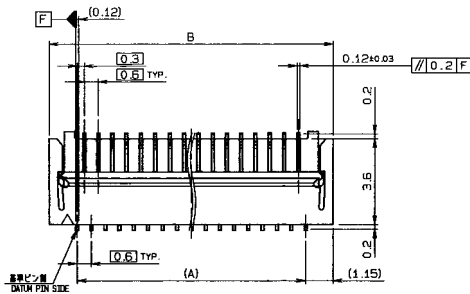
0.3mm Pitch

SERIES

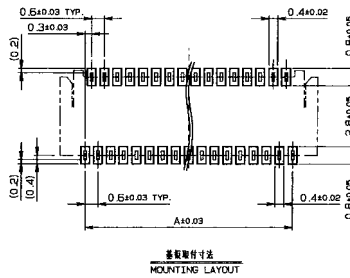
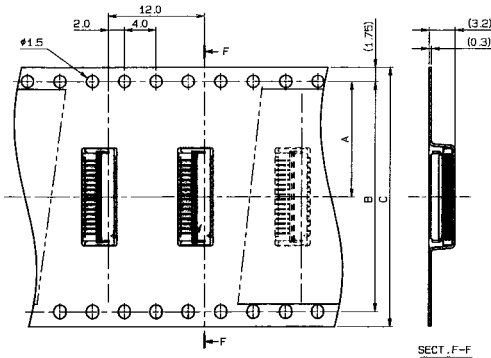
# 6283

0.3mmピッチ RA SMT 上接点 ワンタッチロック

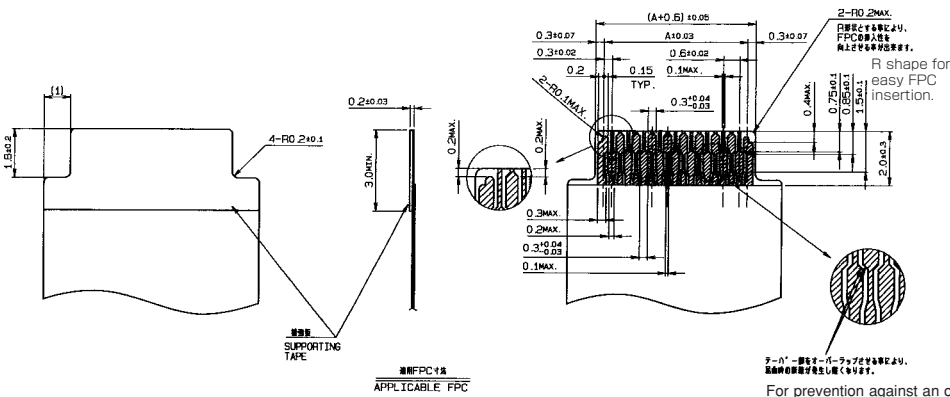
0.3mmPitch RA SMT Top contact One-touch lock



| 番 号<br>NO. OF<br>POS. | A    | B    | C    |
|-----------------------|------|------|------|
| 17                    | 4.8  | 7.1  | 5.5  |
| 19                    | 5.4  | 7.7  | 6.1  |
| 21                    | 6.0  | 8.3  | 6.7  |
| 23                    | 6.6  | 8.9  | 7.3  |
| 25                    | 7.2  | 9.5  | 7.9  |
| 27                    | 7.8  | 10.1 | 8.5  |
| 29                    | 8.4  | 10.7 | 9.1  |
| 31                    | 9.0  | 11.3 | 9.7  |
| 33                    | 9.6  | 11.9 | 10.3 |
| 35                    | 10.2 | 12.5 | 10.9 |
| 37                    | 10.8 | 13.1 | 11.5 |
| 39                    | 11.4 | 13.7 | 12.1 |
| 41                    | 12.0 | 14.3 | 12.7 |
| 43                    | 12.6 | 14.9 | 13.3 |
| 45                    | 13.2 | 15.5 | 13.9 |
| 47                    | 13.8 | 16.1 | 14.5 |
| 49                    | 14.4 | 16.7 | 15.1 |
| 51                    | 15.0 | 17.3 | 15.7 |



| 番 号<br>NO. OF<br>POS. | A    | B    | C    |
|-----------------------|------|------|------|
| 17                    | 11.5 | -    | 24.0 |
| 19                    | 11.5 | -    | 24.0 |
| 21                    | 11.5 | -    | 24.0 |
| 23                    | 11.5 | -    | 24.0 |
| 25                    | 11.5 | -    | 24.0 |
| 27                    | 11.5 | -    | 24.0 |
| 29                    | 11.5 | -    | 24.0 |
| 31                    | 11.5 | -    | 24.0 |
| 33                    | 14.2 | 26.4 | 32.0 |
| 35                    | 14.2 | 26.4 | 32.0 |
| 37                    | 14.2 | 26.4 | 32.0 |
| 39                    | 14.2 | 26.4 | 32.0 |
| 41                    | 14.2 | 26.4 | 32.0 |
| 43                    | 14.2 | 26.4 | 32.0 |
| 45                    | 14.2 | 26.4 | 32.0 |
| 47                    | 14.2 | 26.4 | 32.0 |
| 49                    | 14.2 | 26.4 | 32.0 |
| 51                    | 14.2 | 26.4 | 32.0 |



生産対応可能極数については、営業部にご確認願います。

Feel free to contact our sales department for available numbers of positions.

For prevention against an open circuit in being bent, the tapered areas shall be laid as indicated.

### 注文コード ORDERING CODE

04 6283 OXX OX2 868+

### RoHS 対応品

RoHS Compliant Product

0 or 1

極数によりスライダー材質が異なります。恐れ入りますが弊社営業まで御確認願います。

Feel free to contact our sales department for the material of the actuator, because the material differs according to the number of positions.

極数 NUMBER OF POSITIONS

梱包数量 2000個/リール  
PACKING QUANTITY : 2000/Reel