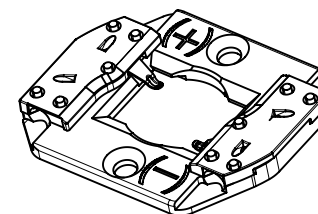
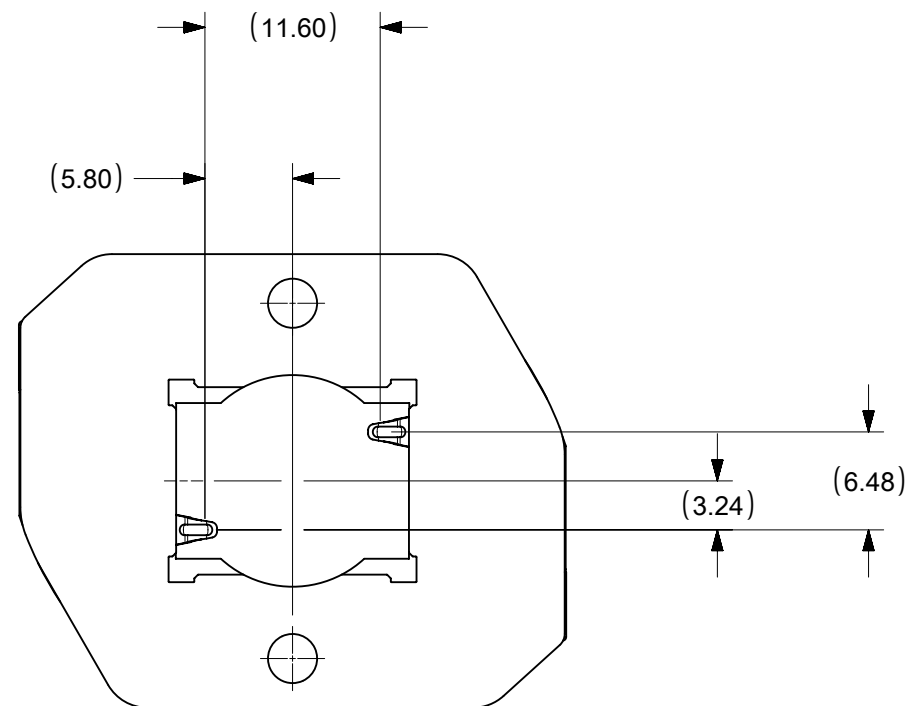
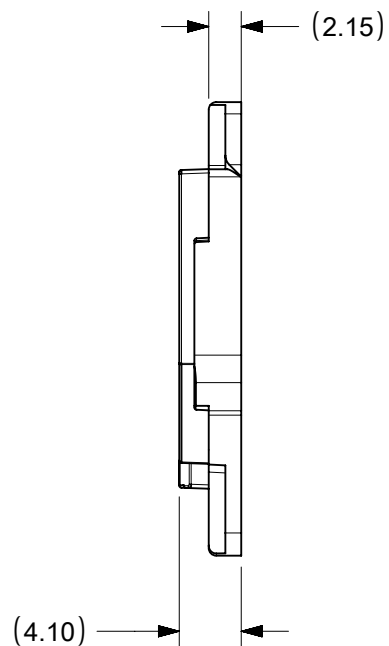
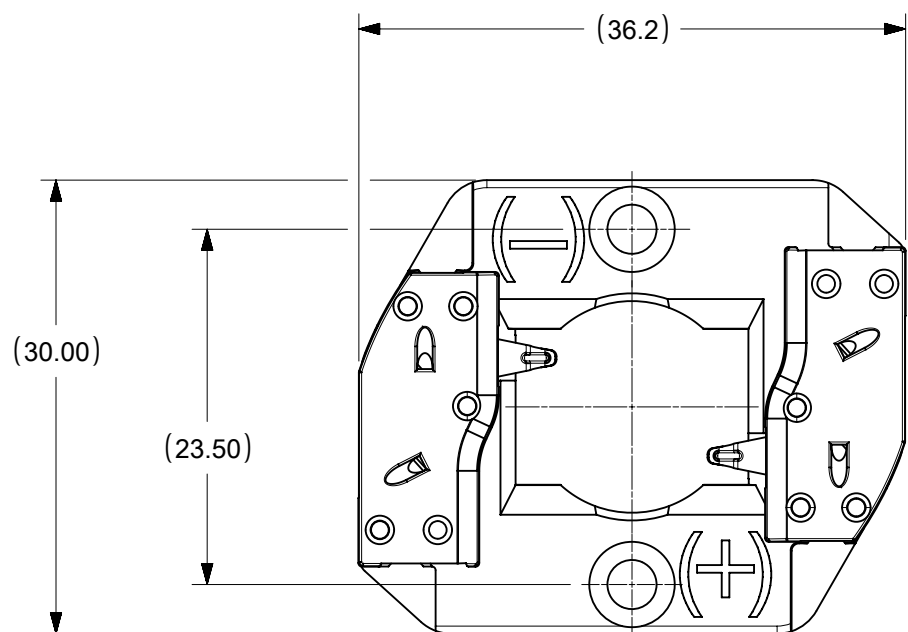


PART NUMBER	DESCRIPTION	MATERIAL	COLOR	AGENCY APPROVAL
180390-0002	COB LED HOLDER ASSEMBLY 15.0MM X 12.0MM - NYLON	POLYAMIDE, GLASS FILLED	NATURAL	UL 496 FILE# E345583



ISO TOP VIEW  
SCALE 1:1

NOTES:

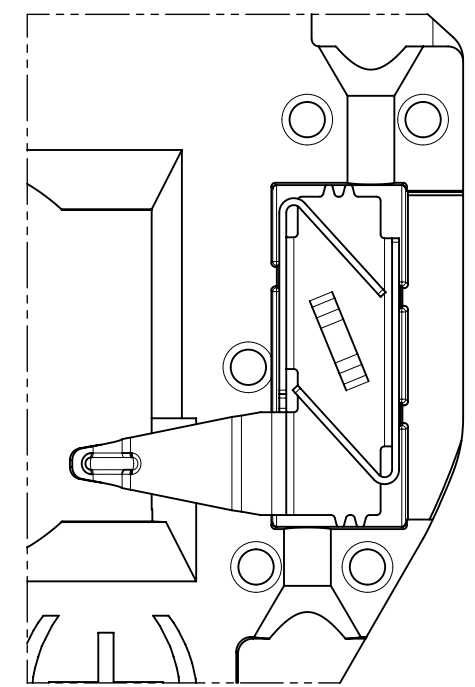
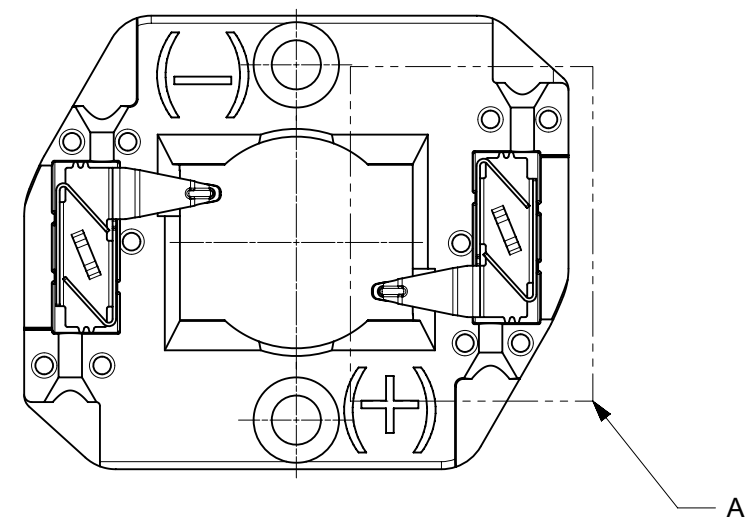
- MATERIALS: HOUSING AND CAP: SEE CHART  
TERMINAL: COPPER ALLOY
- FINISHES: COB LED CONTACT BEAM: GOLD OVER NICKEL, WIRE TRAP: TIN OVER NICKEL
- PRODUCT SPECIFICATION: PS-180390-002
- PACKGING SPECIFICATION PK-180396-101
- APPLICATION SPECIFICATION: AS-180328-001
- APPLICABLE WIRE GAUGE - 18, 20, AND 22 AWG
  - TINNED SOLID WIRE IS PREFERRED
  - FOR STRANDED WIRE, PRE-TINNED IS RECOMMENDED
  - 10 mm +2/-0 mm STRIP LENGTH IS RECOMMENDED
- MOUNT HOLDER USING M3 OR 4-40 SCREWS (2), SEE SHEET 3 FOR TORQUE SPECIFICATION.
- THIS PRODUCT IS ELV AND ROHS COMPLIANT
- ALL DIMENSIONS IN PARENTHESIS (XX.XX) ARE FOR REFERENCE ONLY

THIS DRAWING CONTAINS INFORMATION THAT IS PROPRIETARY TO MOLEX ELECTRONIC TECHNOLOGIES, LLC AND SHOULD NOT BE USED WITHOUT WRITTEN PERMISSION												
DIMENSION UNITS	SCALE	CURRENT REV DESC: OBSOLETE PART NO.										
mm	1:1	<div style="text-align: center;"> <p>COB LED HOLDER 15.0MM X 12.0MM RECTANGLE</p> <p>PRODUCT CUSTOMER DRAWING</p> </div>										
GENERAL TOLERANCES (UNLESS SPECIFIED)												
ANGULAR TOL	± 0.5°											
4 PLACES	±											
3 PLACES	±											
2 PLACES	± 0.13	EC NO: 632260	2020/01/31	<div style="text-align: center;"> <p>COB LED HOLDER 15.0MM X 12.0MM RECTANGLE</p> <p>PRODUCT CUSTOMER DRAWING</p> </div>				DOCUMENT NUMBER		DOC TYPE	DOC PART	REVISION
1 PLACE	± 0.25	DRWN: RPRABHUM	2020/02/28					SD-180390-002		PSD	001	D4
0 PLACES	±	CHK'D: GGA	2020/02/28					SEE CHART		GENERAL MARKET	1 OF 3	
DRAFT WHERE APPLICABLE MUST REMAIN WITHIN DIMENSIONS		THIRD ANGLE PROJECTION	DRAWING	SERIES	MATERIAL NUMBER	CUSTOMER	SHEET NUMBER					
			B-SIZE	180390	SEE CHART	GENERAL MARKET	1 OF 3					

DETAIL VIEW OF TWO-WAY WIRE TRAP

WIRE TRAPS CAN ACCOMMODATE  
18, 20, AND 22 GAUGE WIRE

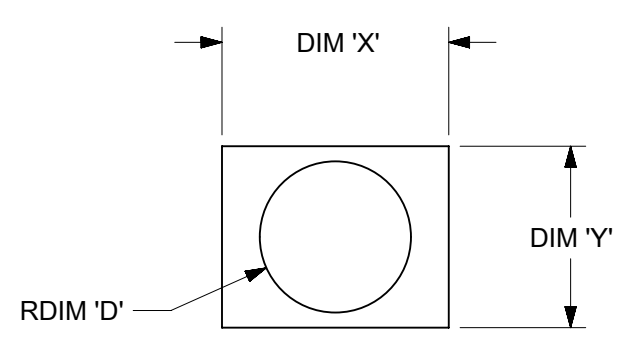
NOTE: WIRE TRAP CAPS ARE REMOVED FOR CLARITY



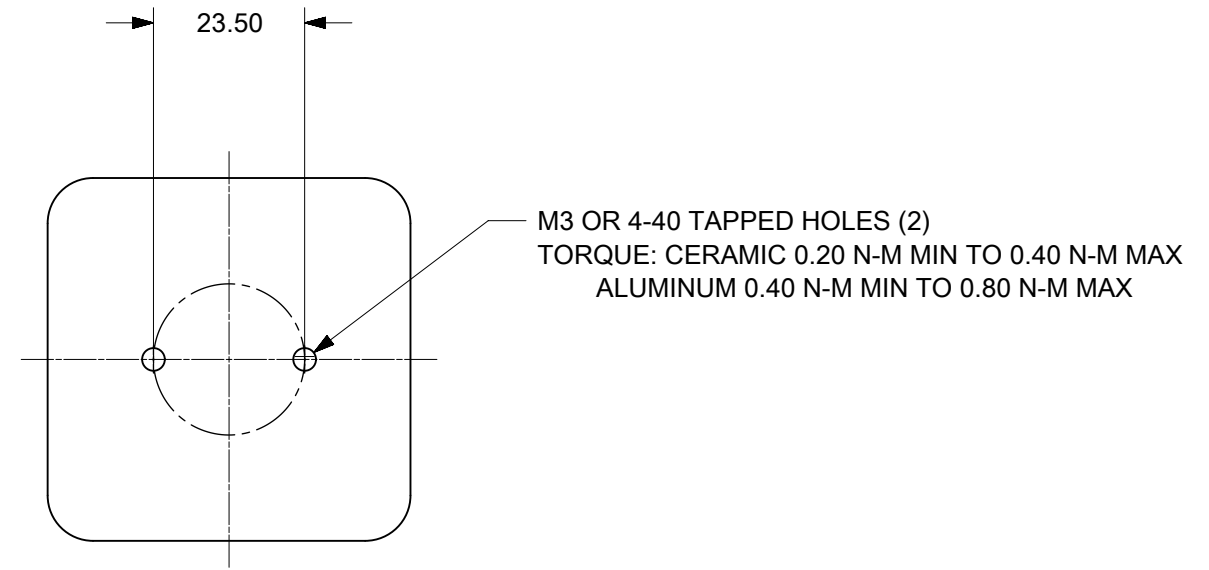
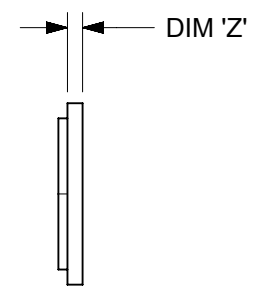
DETAIL A  
SCALE 4:1

THIS DRAWING CONTAINS INFORMATION THAT IS PROPRIETARY TO MOLEX ELECTRONIC TECHNOLOGIES, LLC AND SHOULD NOT BE USED WITHOUT WRITTEN PERMISSION									
DIMENSION UNITS <b>INCH</b>		SCALE <b>2:1</b>		CURRENT REV DESC: OBSOLETE PART NO.					
GENERAL TOLERANCES (UNLESS SPECIFIED)				EC NO: 632260		COB LED HOLDER			
		MM	INCH	DRWN: RPRABHUM 2020/01/31		15.0MM X 12.0MM RECTANGLE		PRODUCT CUSTOMER DRAWING	
4 PLACES ±				CHK'D: GGA 2020/02/28					
3 PLACES ±				APPR: GGA 2020/02/28					
2 PLACES ± 0.13				INITIAL REVISION:					
1 PLACE ± 0.25				DRWN: MDEVITO 2012/02/03		DOCUMENT NUMBER		DOC TYPE	DOC PART
0 PLACES ±				APPR: DMCGOWAN 2012/02/07		SD-180390-002		PSD	001
ANGULAR TOL ± 0.5°				MATERIAL NUMBER		CUSTOMER		REVISION	
DRAFT WHERE APPLICABLE MUST REMAIN WITHIN DIMENSIONS		THIRD ANGLE PROJECTION		DRAWING	SERIES	SEE CHART	GENERAL MARKET	SHEET NUMBER	
				B-SIZE	180390			2 OF 3	

COB MFG	TYPE	DIM 'X'	DIM 'Y'	DIM 'Z'	DIM 'D'
SHARP	MINI ZENIGATA	15.0	12.0	1.0	10.0
NICHIA	N***S024*	15.0	12.0	1.0	8.7
LUMILEDS	LUXEON L2C2 1202E0600	15.0	12.0	1.0	8.8



COB LED  
SCALE 2:1



RECOMMENDED MOUNTING DIMENSIONS (NTS)

THIS DRAWING CONTAINS INFORMATION THAT IS PROPRIETARY TO MOLEX ELECTRONIC TECHNOLOGIES, LLC AND SHOULD NOT BE USED WITHOUT WRITTEN PERMISSION

DIMENSION UNITS <b>INCH</b>	SCALE <b>2:1</b>	CURRENT REV DESC: OBSOLETE PART NO.		<b>molex</b>		
GENERAL TOLERANCES (UNLESS SPECIFIED)		EC NO: 632260	2020/01/31			
4 PLACES ±		DRWN: RPRABHUM	2020/02/28	PRODUCT CUSTOMER DRAWING		
3 PLACES ±		CHK'D: GGA	2020/02/28	DOCUMENT NUMBER		
2 PLACES ±	0.13	APPR: GGA	2020/02/28	SD-180390-002		DOC TYPE
1 PLACE ±	0.25	INITIAL REVISION:		PSD	DOC PART	REVISION
0 PLACES ±		DRWN: MDEVITO	2012/02/03	001	D4	
ANGULAR TOL ±	0.5°	APPR: DMCGOWAN	2012/02/07	MATERIAL NUMBER		
DRAFT WHERE APPLICABLE MUST REMAIN WITHIN DIMENSIONS	THIRD ANGLE PROJECTION	DRAWING	SERIES	SEE CHART	CUSTOMER	SHEET NUMBER
		B-SIZE	180390	GENERAL MARKET		3 OF 3