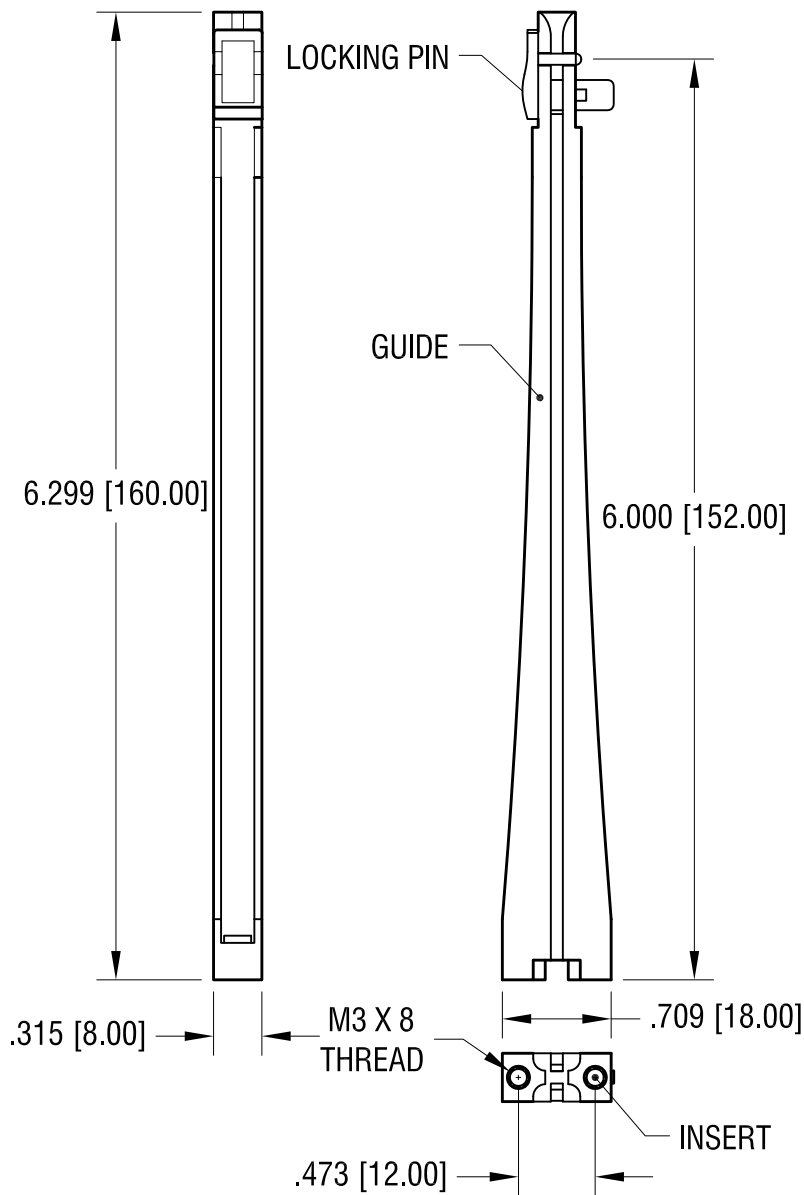


THIS DOCUMENT IS THE PROPERTY OF KEYSTONE ELECTRONICS CORP. AND SHALL NOT BE REPRODUCED, DISTRIBUTED OR USED AS A BASIS FOR MANUFACTURE WITHOUT PRIOR WRITTEN PERMISSION FROM KEYSTONE ELECTRONICS CORP.



**NOTE:**

- 1. GUIDE: MAT'L- POLYSTYRENE UL94V-0 (COLOR-BLUE)
- 2. INSERT: MAT'L- BRASS
- 3. LOCKING PIN: MAT'L- ACETAL UL94-HB
- 4. HARDWARE: MAT'L- STEEL, FINISH- ZINC PLATE  
 (2) PLS LOCKWASHER  
 (2) PLS FLAT WASHER  
 (2) PLS SCREW M3 x 8mm L.

5.09.23	INSERT WAS NICKEL PLATED CHANGE AS PER ECN 23-077	B
8.05.15	ECN 15-075, ADD NOTE .3	A
DATE	DESCRIPTION	REV.

<b>KEYSTONE ELECTRONICS CORP.</b>			
www.keyelco.com • NEW HYDE PARK NY 11040 • Tel (516)328-7500			
PART NAME		VERTICAL CARD GUIDE	
MATERIAL		AS NOTED	
FINISH		AS NOTED	
DRN BY	NT	DATE	2.14.15
APP'D	RH	SCALE	.8X
TOLERANCES	INCH [MM]	CODE	DWG NO.
DECIMAL	± .010 [± 0.25]	C	<b>8649</b>
ANGULAR	± 1°		
UNLESS OTHERWISE SPECIFIED			