



Metric screw connection M20 for AS-i-profile cable for routing the Flat cable into AS-i-housing for plastic or metal Enclosure with 1-3 control points,

product brand name	SIRIUS ACT
product designation	Metric cable gland
design of the product	M20 for AS-i profile cable and AS-i enclosures with 1 to 3 command points
product type designation	3SU1
General technical data	
protection class IP	IP66, IP67, IP69(IP69K)
Installation/ mounting/ dimensions	
height	29.7 mm
width	29.7 mm
mounting height	31 mm
installation depth	13 mm
Accessories	
material of accessory	Plastic
color of accessory	black
Certificates/ approvals	
General Product Approval	Declaration of Conformity



[Miscellaneous](#)

Declaration of Conformity	Test Certificates	Marine / Shipping
Miscellaneous	Type Test Certificates/Test Report	   
Marine / Shipping	other	



Further information

Information- and Downloadcenter (Catalogs, Brochures,...)

<https://www.siemens.com/ic10>

Industry Mall (Online ordering system)

<https://mall.industry.siemens.com/mall/en/en/Catalog/product?mlfb=3SU1900-0HE10-0AA0>

Cax online generator

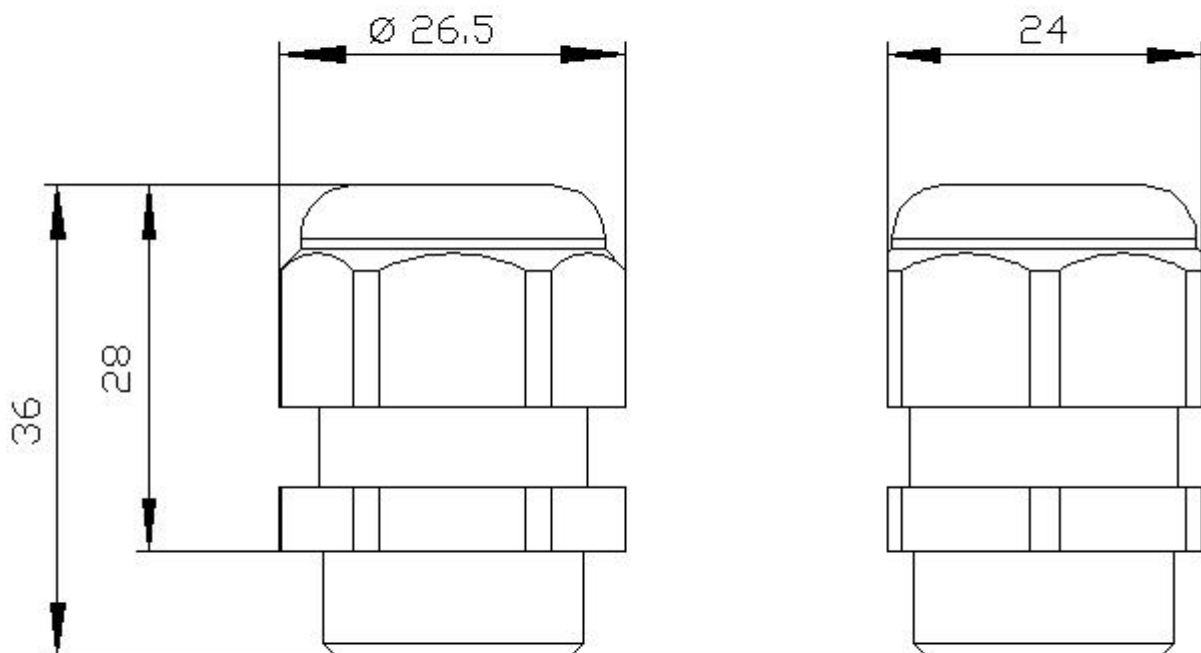
<http://support.automation.siemens.com/WW/CAXorder/default.aspx?lang=en&mlfb=3SU1900-0HE10-0AA0>

Service&Support (Manuals, Certificates, Characteristics, FAQs,...)

<https://support.industry.siemens.com/cs/ww/en/ps/3SU1900-0HE10-0AA0>

Image database (product images, 2D dimension drawings, 3D models, device circuit diagrams, EPLAN macros, ...)

http://www.automation.siemens.com/bilddb/cax_de.aspx?mlfb=3SU1900-0HE10-0AA0&lang=en



last modified:

5/15/2020