

LC SIMPLEX PC MULTIMODE ADAPTOR
ZIRCONIA ALIGNMENT SLEEVE

Packaging
100

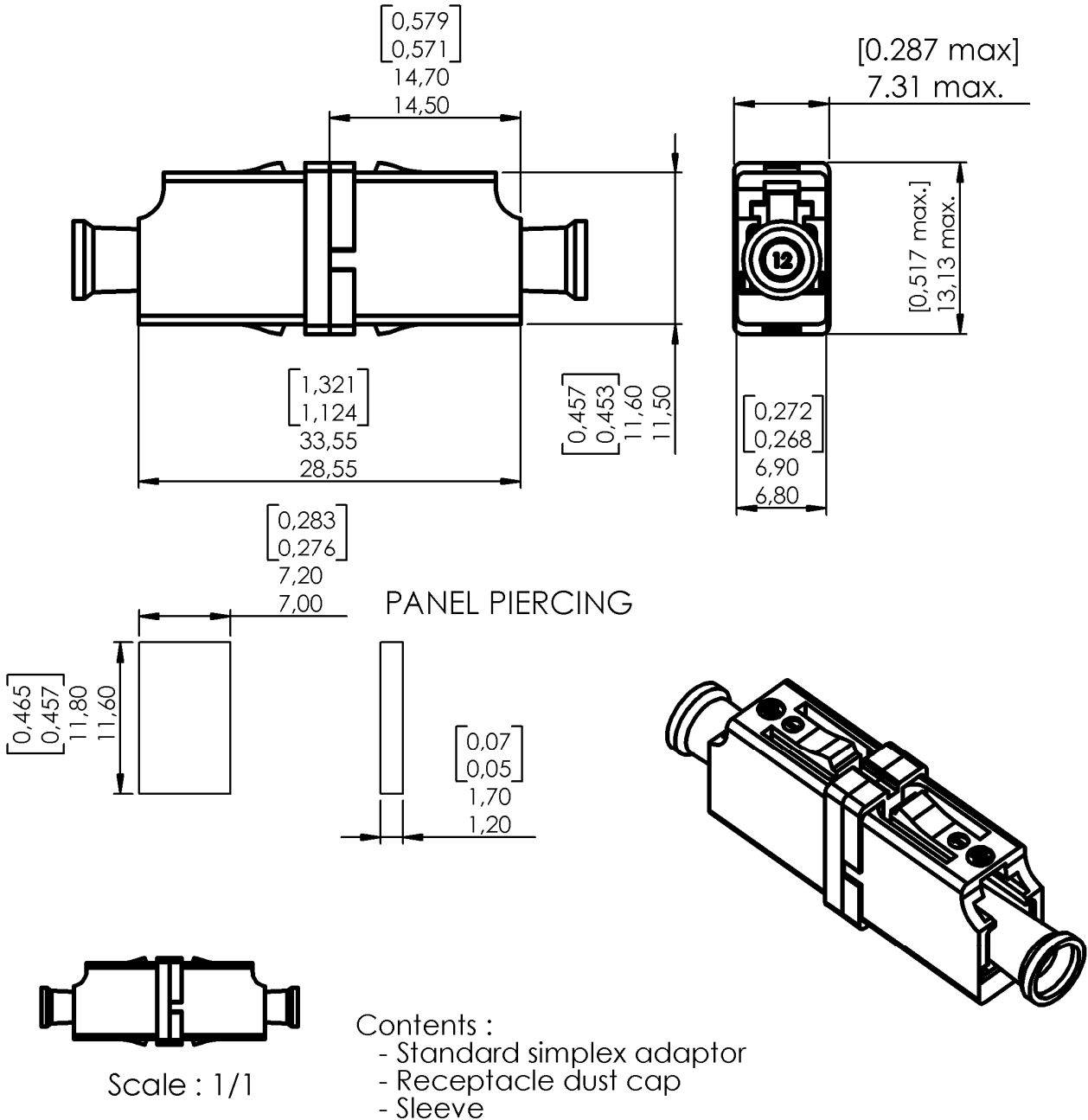
Series
LC

Issue
03/02/2011

Page
1 / 2

Adaptor : color AQUA

Simplex



Original dimensions in mm [inch]

LC SIMPLEX PC MULTIMODE ADAPTOR
 ZIRCONIA ALIGNMENT SLEEVE

 Packaging
 100

 Series
 LC

 Issue
 03/02/2011

 Page
 2 / 2

Adaptor : color AQUA

Simplex

GENERAL

- TYPE** IEC 61754-20 (LC)
 RJ-45 latching system
 Receptacle color : AQUA
- MOUNTING** Snap-in mounting
 Max. panel thickness 1.7 mm
- ALIGNMENT SLEEVE** Zirconia

CHARACTERISTICS (Depending on fibre or cable construction)

- MATERIAL** Plastic molded : Material in accordance with TELCORDIA GR-326 CORE
 Inflammability V0 (UL 94)
- MECHANICAL**

Durability	200 cycles
Plug Retention	68 N
- ENVIRONMENTAL**

Storage temperature range	-40 °C to +85 °C
Operating temperature range	-40 °C to +70 °C
- PROOF TEST**

Straight pull	68 N
Side pull	23 N
- VIBRATION TEST** 10 to 55 Hz, 1,5 mm (peak to peak), 2 Hr/axis

(Performance and specification : see document GEN - F727 001)