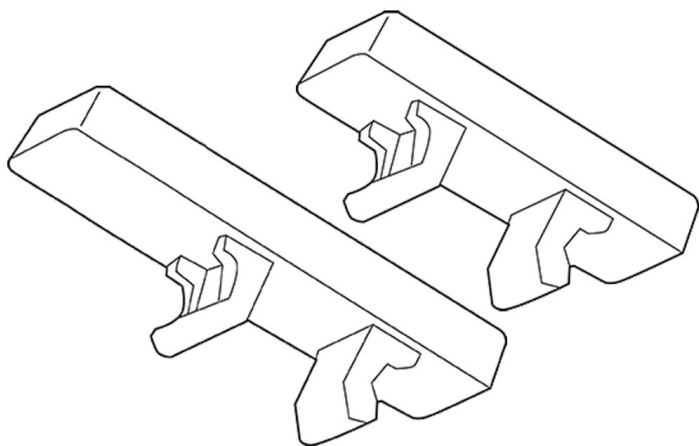


28237.7 PC-CPM-01 E 3X10/80 WH



Terminal marker, Length: 10 mm, Width: 3 mm, Colour: White

RAL: 9010

Business data

Article number	<u>28237.7</u>
Article name	PC-CPM-01 E 3X10/80 WH
GTIN (EAN)	4044211211561
For manufacturer type	Weidmüller, ABB, Wago, Allen-Bradley, Klemsan, Morsettitalia, Woertz, Connectwell
Packaging unit	2000
Quantity unit	PC
Number of markers per card	80 ST
Weight per piece (not including packaging)	0.15 g
Weight per piece (including packaging)	0.15 g
Unit of weight	G
Customs number	39269097
Country of origin	IT
Product description	Terminal marker
Colour	White

Technical data

Dimensions

Length	10 mm
--------	-------

Width	3 mm
-------	------

Materials

Marker material	Polycarbonate
-----------------	---------------

Flammability class UL 94	V-0
--------------------------	-----

Working temperature, min.	-40 °C
---------------------------	--------

Working temperature, max.	130 °C
---------------------------	--------

Halogen-free	✓
--------------	---

Silicone-free	✓
---------------	---

Further technical data

Mounting	Individually
----------	--------------

Software code	15
---------------	----

Environmental Product Compliance

REACH Conform	yes
---------------	-----

REACH Reference date	2023-01-17
----------------------	------------

REACH Candidate Substance Note	No
--------------------------------	----

RoHS Conform	yes
--------------	-----

Data sheet



28237.7 PC-CPM-01 E 3X10/80 WH

Media

28237.7 PC-CPM-01 E 3X10/80 WH

Accessories

Printer



Thermal transfer printer TTPCard including a power cord, USB cable, dust cover, black thermal transfer film (28010.4), three inlays: CCI-PC-SB 5x5 (28020.0), CCI-PC-CPM-10/BSTR (28027.0), CCI-PC/PVC/PVCF (28041.0), CONTASign PRO software in 16 languages (German, English, French, Italian, Dutch, Spanish, Portuguese, Czech, Polish, Bulgarian, Romanian, Slovenian, Turkish, Chinese, Japanese, Russian) for Windows versions 7, 8, 10. (available for download)

Article number	Article name	GTIN (EAN)	Packaging unit
<u>28000.0</u>	TTPCard Set	4044211207397	1 ST

Inlays

Printer inlay

Article number	Article name	GTIN (EAN)	Packaging unit
<u>28042.0</u>	CCI-PC-CPM/SPM	4044211208103	1 ST