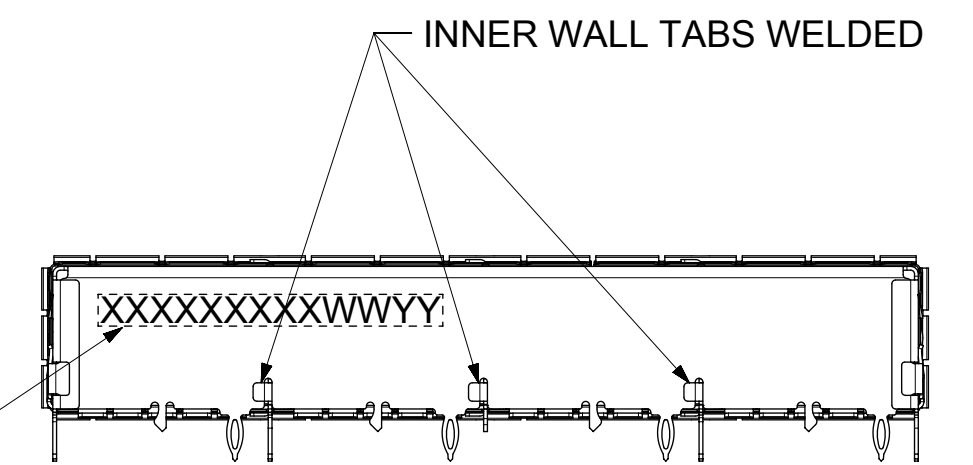
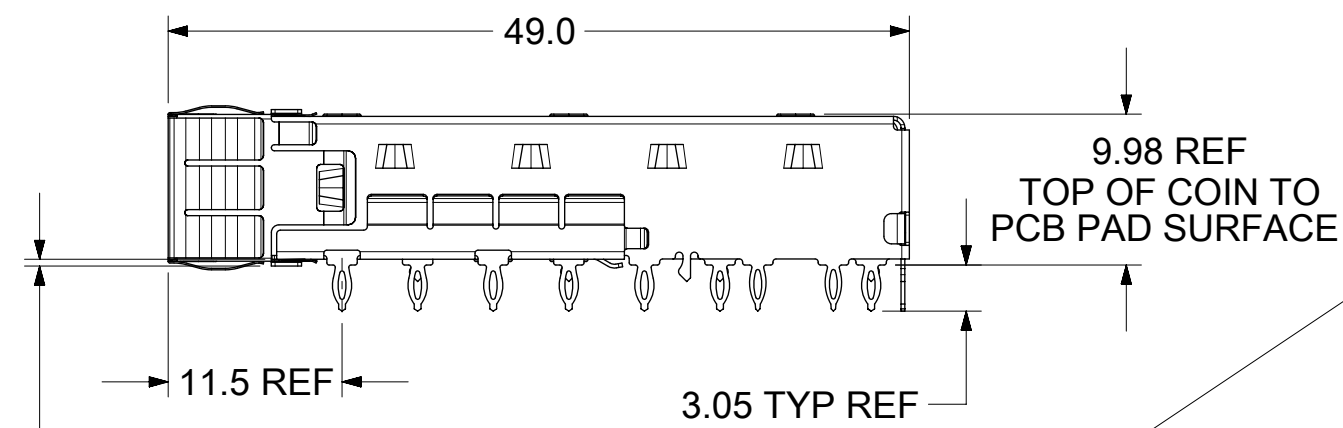
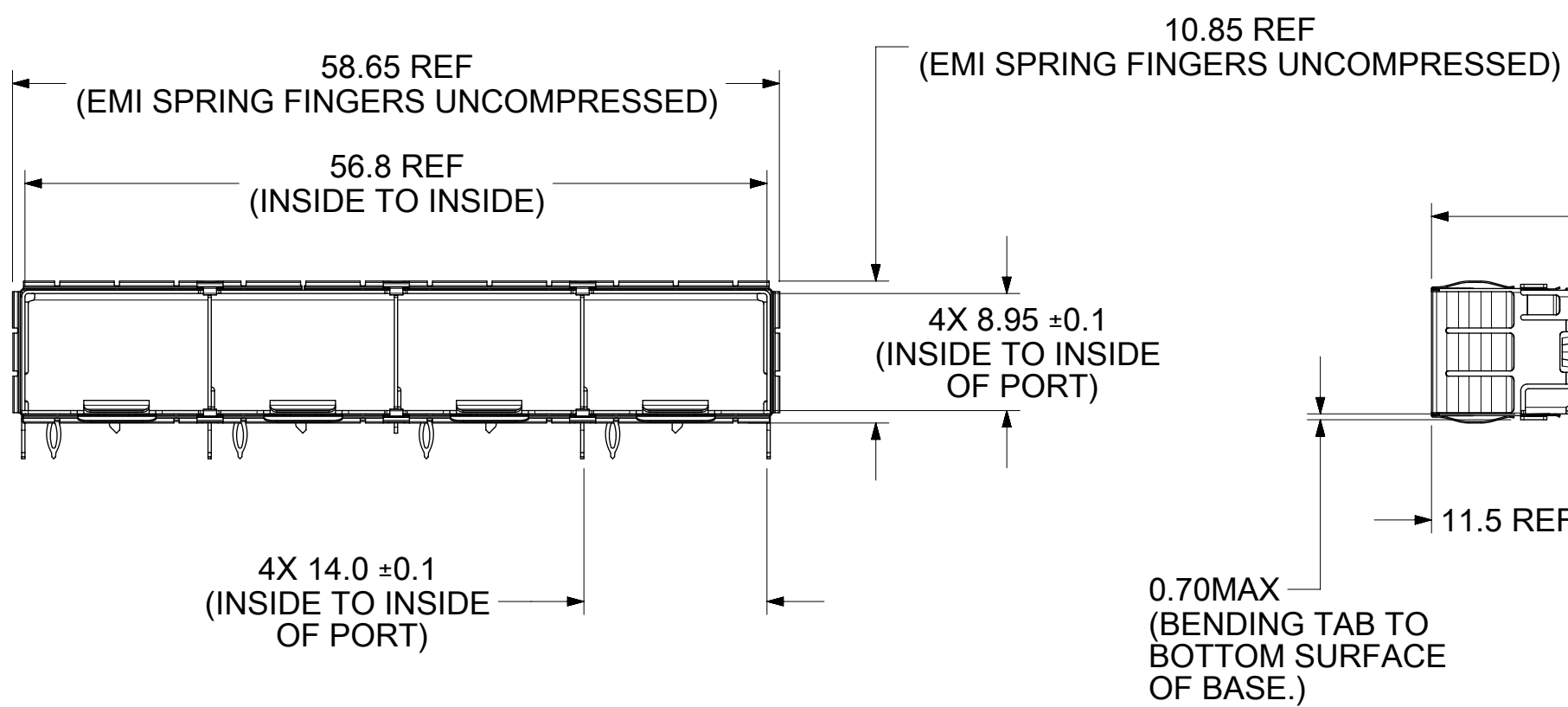
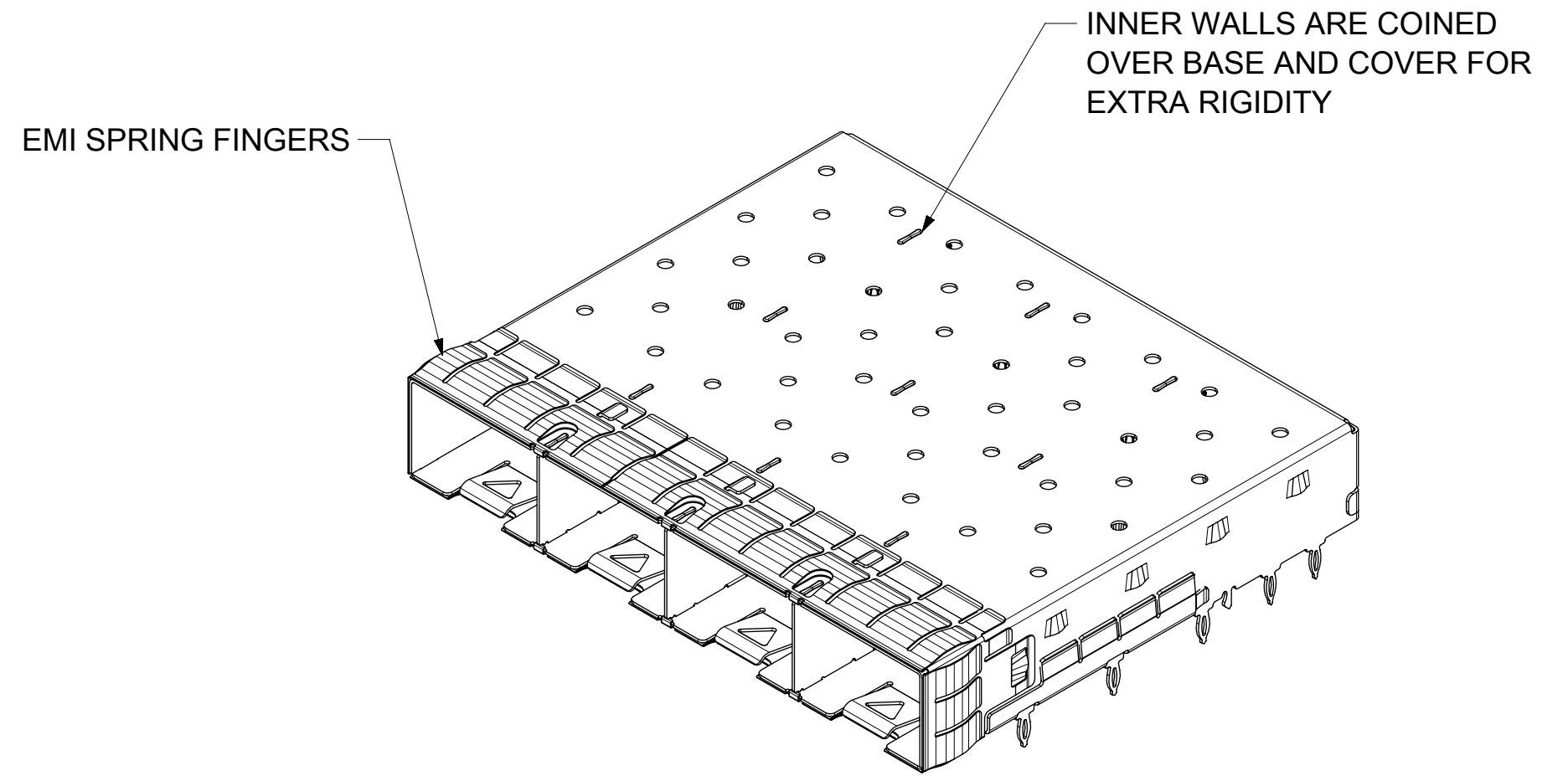
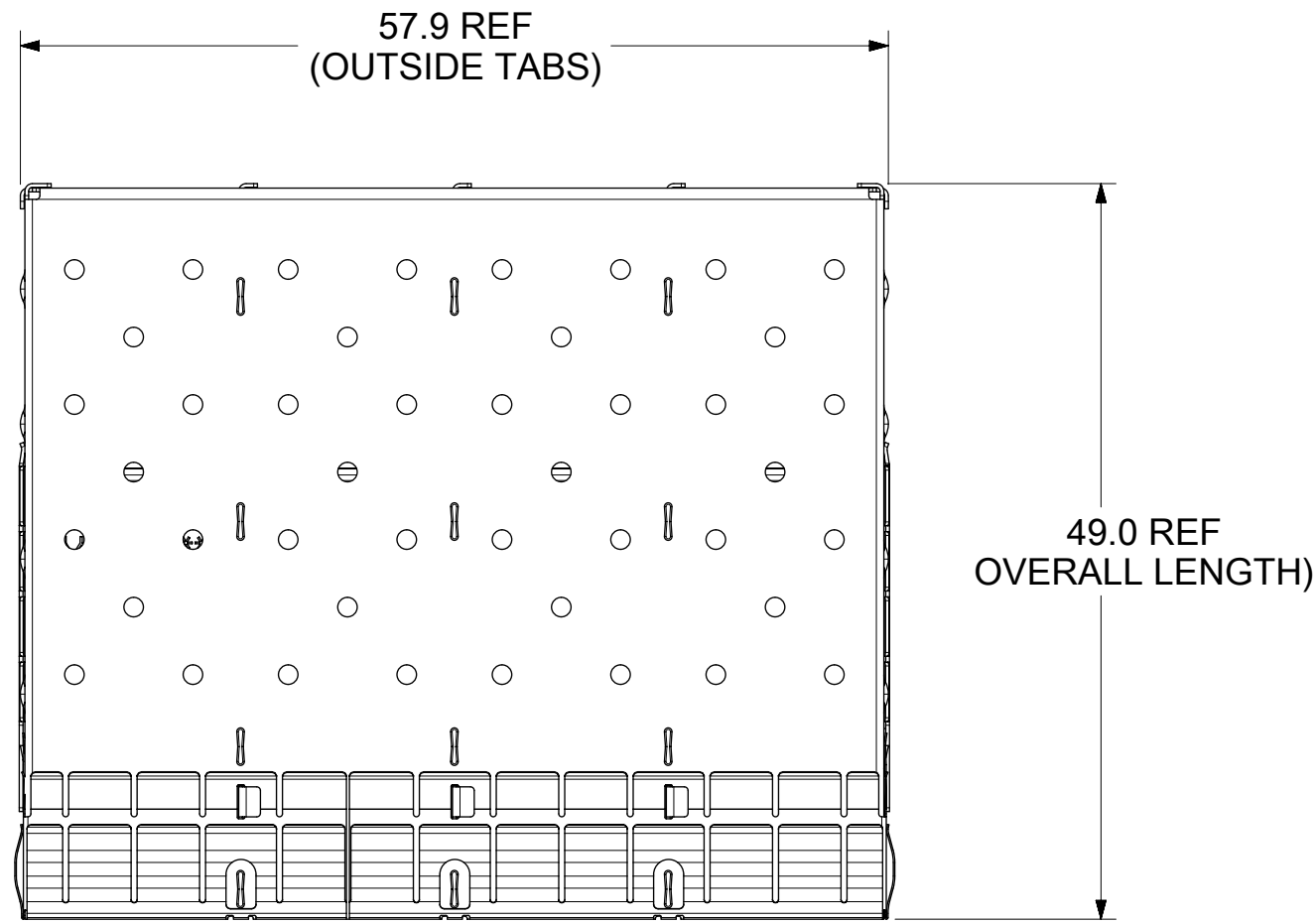


# BASE CAGE DETAILS

(APPLIES TO ALL CAGES IN THIS DRAWING)

**747548420**

SHOWN



PART NO. AND WEEK/YEAR DATE CODE TO BE PRINTED ON THE BACK OF COMPLETED CAGE ASSEMBLY APPROXIMATELY AS SHOWN ON 74754 SERIES CAGE ASSEMBLIES.

**NOTES:**

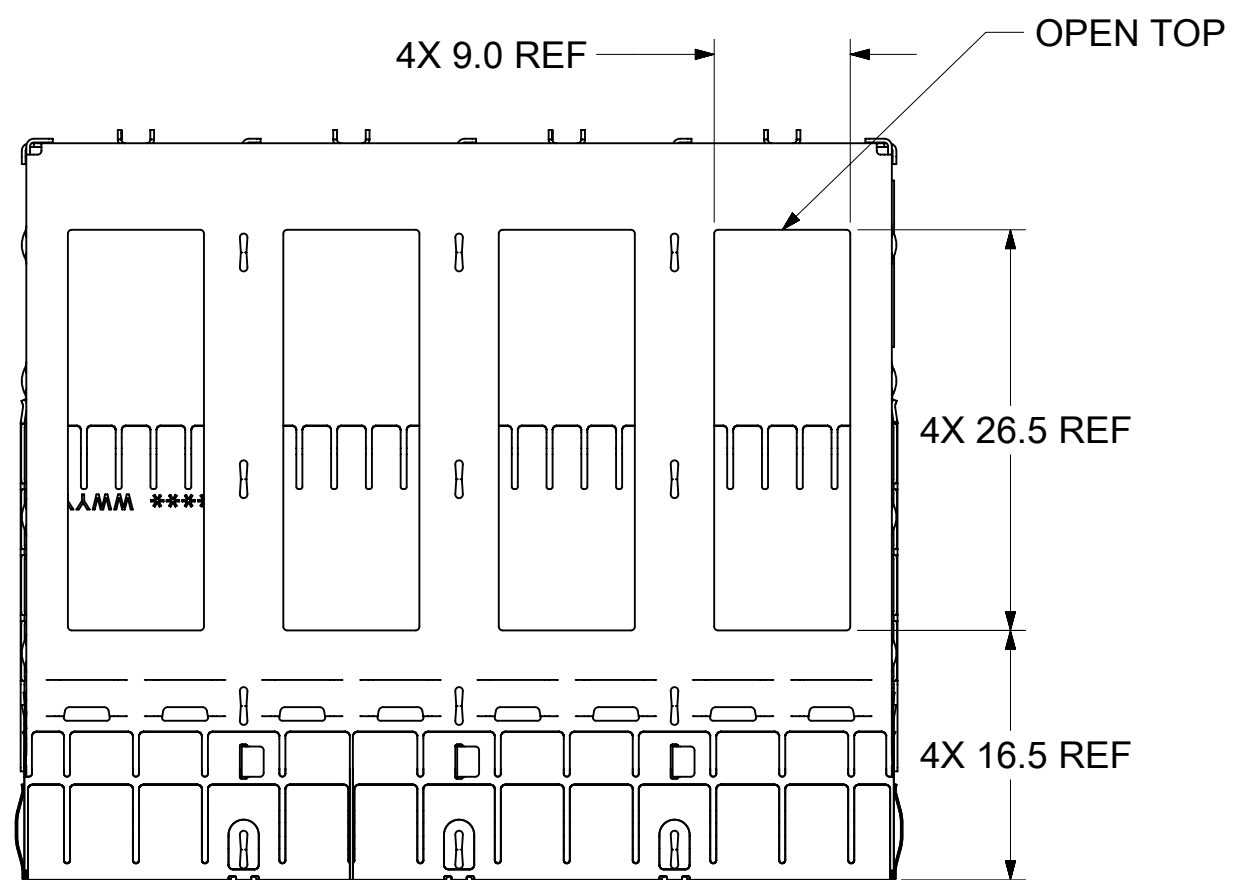
- MATERIAL:**  
 CAGE: 0.25mm THICK COPPER ALLOY, NICKEL PLATED.  
 SPRING FINGERS: STAINLESS STEEL  
 HEATSINK: ALUMINUM, NICKEL PLATED.  
 HEATSINK SPRING CLIP: STAINLESS STEEL.
- PRESS FIT LEGS 3.05mm LONG:**
- PORTS ARE DESIGNED FOR SFP+ TRANSCEIVERS AND ARE COMPATIBLE WITH SFP TRANSCEIVERS.**  
 THE TOP SURFACE OF THE MODULE MUST BE FLAT (NO PRODUCT LABEL RECESS)  
 AND THERMALLY CONDUCTIVE TO FUNCTION OPTIMALLY.
- WELD SPOT MAY SHOW SLIGHT MATERIAL DISCOLORATION.**
- NO RoHS EXEMPTIONS.**
- CUSTOM HEATSINKS AVAILABLE UPON REQUEST.**

WEEK/YEAR DATE CODE TABLE	
WW	01 THRU 52 OR 53 EXAMPLE: 01 = FIRST WEEK OF YEAR 52 = LAST WEEK OF YEAR
YY	22, 23, 24,, ETC. EXAMPLE: YEAR 2022 = 22

FUNCTIONAL SYMBOLS		THIS DRAWING CONTAINS INFORMATION THAT IS PROPRIETARY TO MOLEX ELECTRONIC TECHNOLOGIES, LLC AND SHOULD NOT BE USED WITHOUT WRITTEN PERMISSION		CURRENT REV DESC: SEE REVISION TABLE	
$\nabla_A = 0$	DIMENSION UNITS	SCALE			
	mm	2:1			
$\nabla_E = 0$	GENERAL TOLERANCES (UNLESS SPECIFIED)				
$\nabla_P = 0$	ANGULAR TOL ± 1.0°				
DIVISIONAL SYMBOLS		EC NO: 706897		2022/05/04	
4 PLACES ±		DRWN: ABHILT2		2022/05/16	
3 PLACES ±		CHK'D: TKUMARKC		2022/05/19	
2 PLACES ± 0.15		APPR: SCHIEN			
1 PLACE ± 0.25		INITIAL REVISION:			
0 PLACES ±		DRWN: ABHILT2		2022/05/04	
		APPR: SCHIEN		2022/05/19	
DRAFT WHERE APPLICABLE MUST REMAIN WITHIN DIMENSIONS		THIRD ANGLE PROJECTION	DRAWING	SERIES	DOCUMENT NUMBER
			C-SIZE	111112	111128320
					DOC TYPE DOC PART REVISION
					PSD ASY A
					MATERIAL NUMBER CUSTOMER SHEET NUMBER
					SEE SHEET 3 1 OF 7

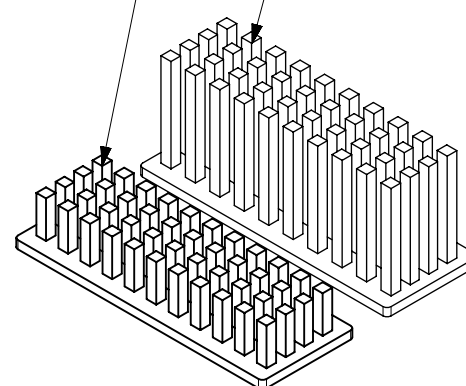
DOCUMENT STATUS	P1	RELEASE DATE	2022/05/19 07:40:31
-----------------	----	--------------	---------------------

# CAGE ASSEMBLY OPTIONS



## HEATSINK OPTIONS

PIN FIELD NETWORKING  
PIN FIELD SAN



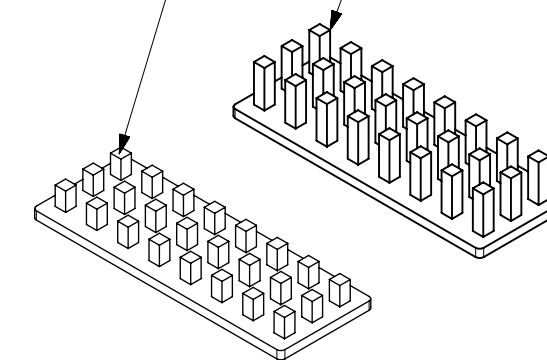
### OVERALL HEATSINK HEIGHT

APPLICATION	DIM 'A'
SAN	16.6
NETWORKING	23.6

NOTE: PCI-13ROWS  
SAN-11ROWS  
NETWORKING-10ROWS

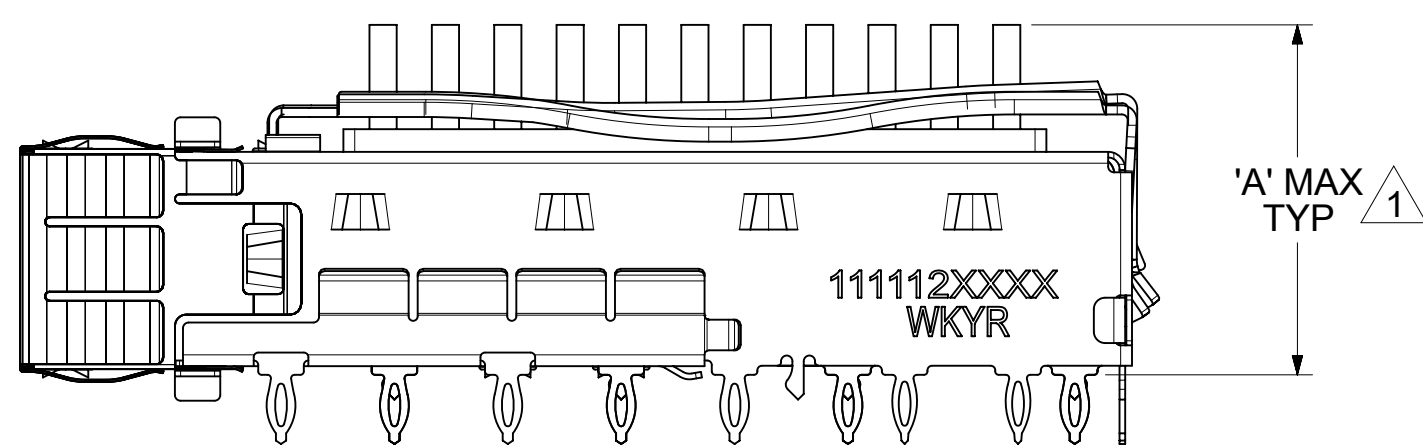
## HEATSINK OPTIONS

WIDE GAP PIN FIELD SAN  
WIDE GAP PIN FIELD PCI

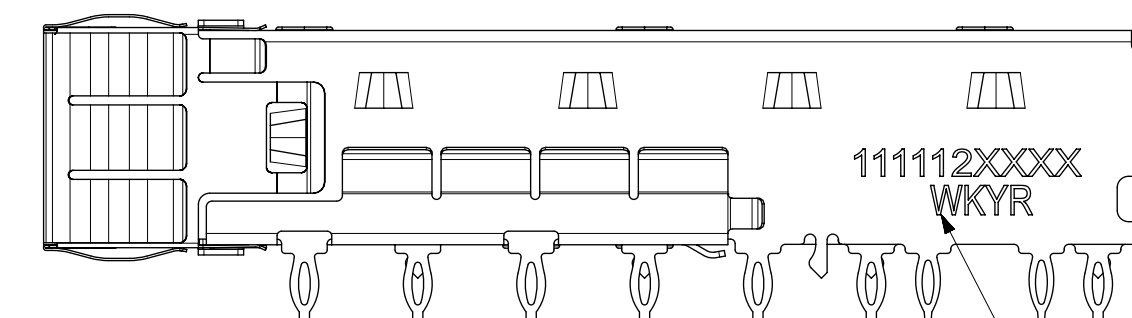
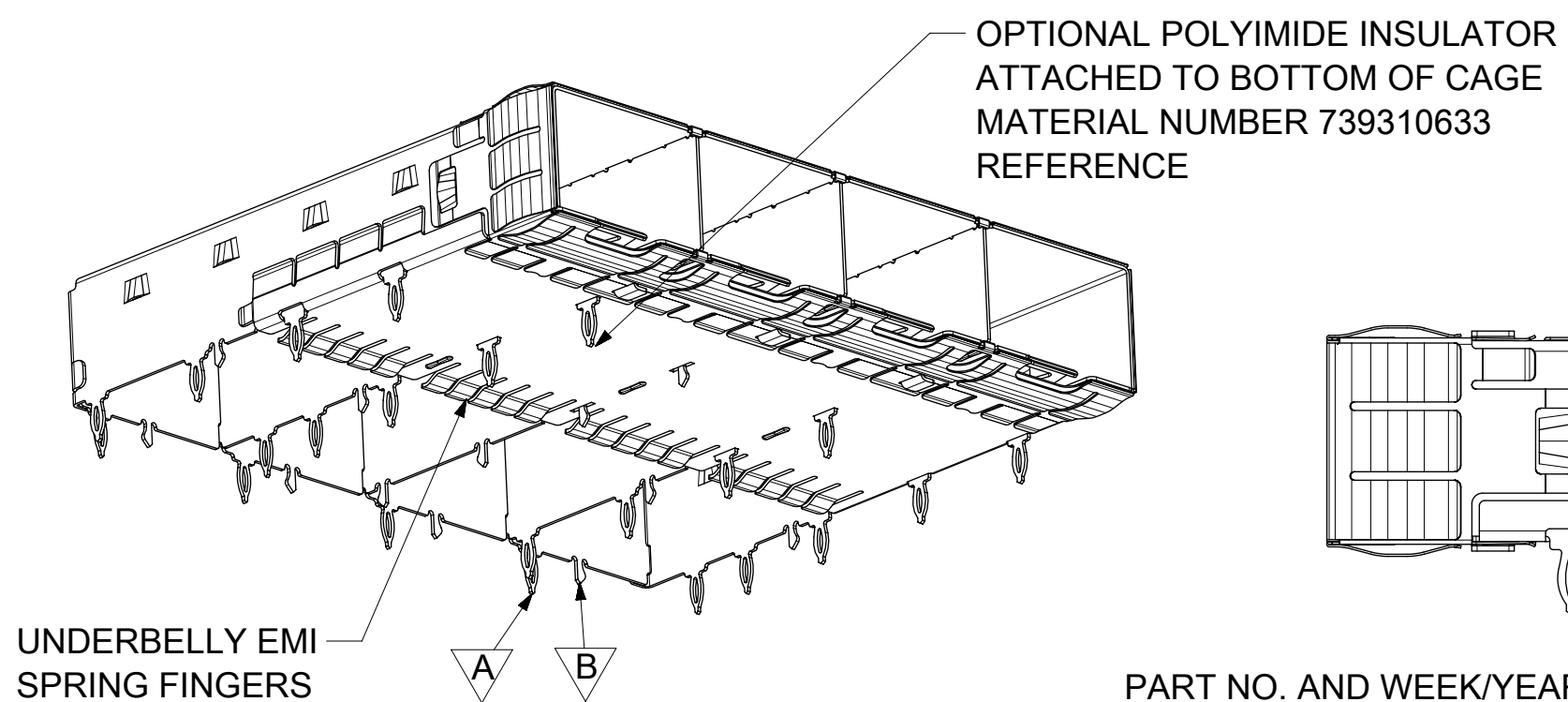


### OVERALL HEATSINK HEIGHT

APPLICATION	DIM 'A'
PCI	14.3
SAN	16.6



NOTES:  
1 HEIGHT OF HEATSINK WITH MODULE INSERTED.  
DIMENSION MAY BE LESS DUE TO MODULE AND HEATSINK VARIATIONS.



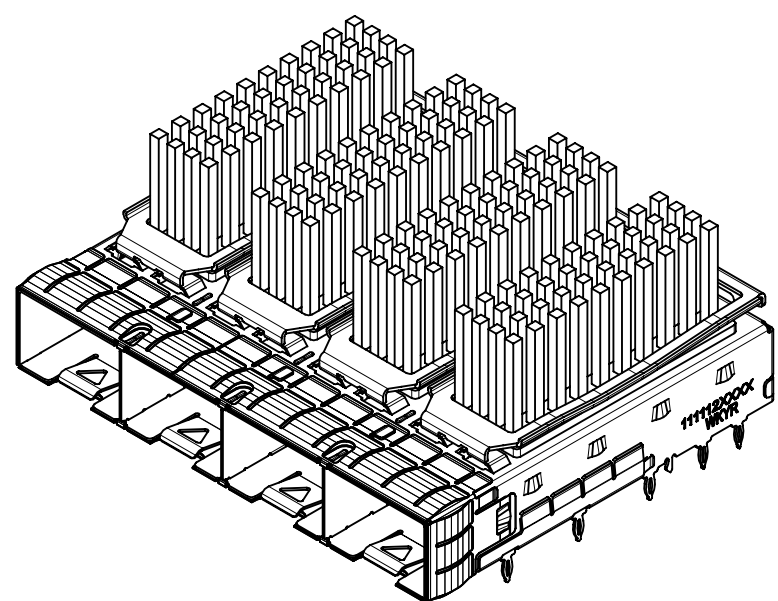
PART NO. AND WEEK/YEAR DATE CODE TO BE PRINTED ON THE SIDE OF COMPLETED CAGE ASSEMBLY APPROXIMATELY AS SHOWN FOR 11112 SERIES CAGE ASSEMBLIES.

WEEK/YEAR DATE CODE TABLE	
WW	01 THRU 52 OR 53 EXAMPLE: 01 = FIRST WEEK OF YEAR 52 = LAST WEEK OF YEAR
YY	22, 23, 24,, ETC. EXAMPLE: YEAR 2022 = 22

FUNCTIONAL SYMBOLS	THIS DRAWING CONTAINS INFORMATION THAT IS PROPRIETARY TO MOLEX ELECTRONIC TECHNOLOGIES, LLC AND SHOULD NOT BE USED WITHOUT WRITTEN PERMISSION		CURRENT REV DESC: SEE REVISION TABLE		
$\frac{E}{A} = 0$	DIMENSION UNITS	SCALE	<p>SFP+ 1X4 SF CAGE ASSY'S PRESS FIT, HEAT SINKS, WITH SUS EMI SPRING FINGERS</p>		
$\frac{E}{C} = 0$	mm	2:1			
$\frac{E}{P} = 0$	GENERAL TOLERANCES (UNLESS SPECIFIED)				
DIVISIONAL SYMBOLS	ANGULAR TOL	± 1.0°	EC NO: 706897	2022/05/04	PRODUCT CUSTOMER DRAWING
	4 PLACES	±	DRWN: ABHILT2	2022/05/16	
	3 PLACES	±	CHK'D: TKUMARKC	2022/05/19	DOCUMENT NUMBER
	2 PLACES	± 0.15	APPR: SCHIEN	2022/05/19	111128320
	1 PLACE	± 0.25	INITIAL REVISION:		DOC TYPE
	0 PLACES	±	DRWN: ABHILT2	2022/05/04	PSD
			APPR: SCHIEN	2022/05/19	ASY
	DRAFT WHERE APPLICABLE MUST REMAIN WITHIN DIMENSIONS	THIRD ANGLE PROJECTION	DRAWING	SERIES	REVISION
			C-SIZE	111112	A
			MATERIAL NUMBER	CUSTOMER	SHEET NUMBER
			SEE SHEET 3		2 OF 7

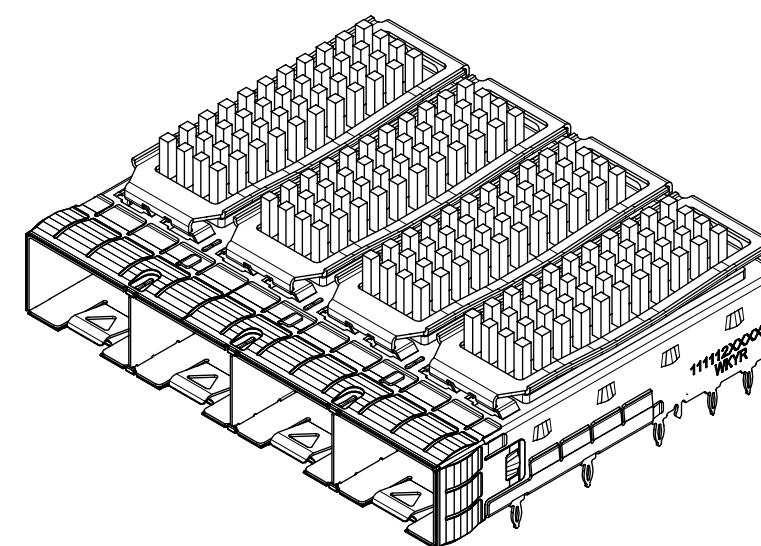
DOCUMENT STATUS	P1	RELEASE DATE	2022/05/19 07:40:31
-----------------	----	--------------	---------------------

# PART NUMBER SELECTION

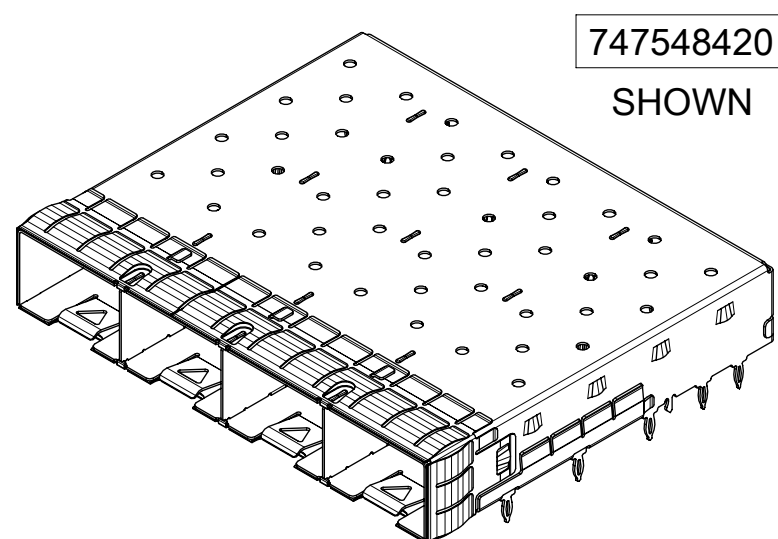


SFP+ PIN FIELD HEATSINK OPTION			
PART NO.	POLYIMIDE INSULATOR	HEAT SINK	# OF REAR LEGS PER PORT
1111128320	---	SAN	1A, 1B
1111123820	---	NET	1A, 1B
1111124860	YES	NET	1A, 1B

NOTE: PCI-13ROWS  
SAN-11ROWS  
NET-10ROWS



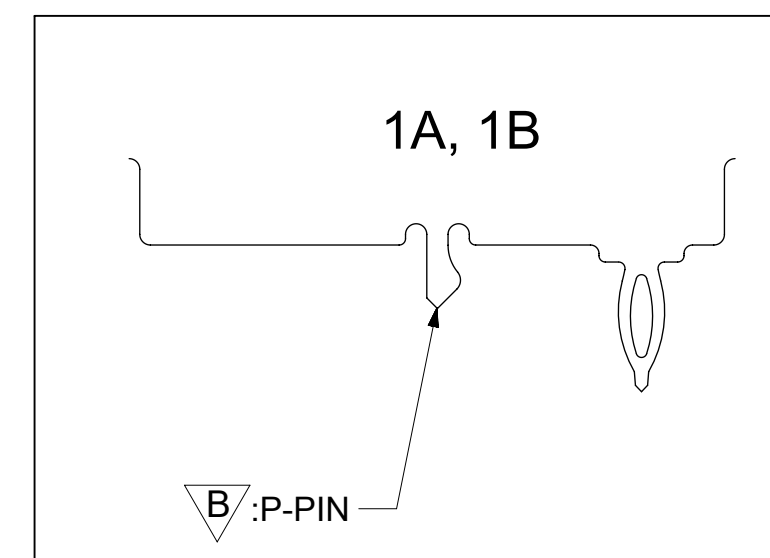
SFP+ WIDE GAP PIN FIELD HEATSINK OPTION			
PART NO.	POLYIMIDE INSULATOR	HEAT SINK	# OF REAR LEGS PER PORT
1111121820	---	PCI	1A, 1B
1111129421	---	CUSTOM	1A, 1B



747548420  
SHOWN

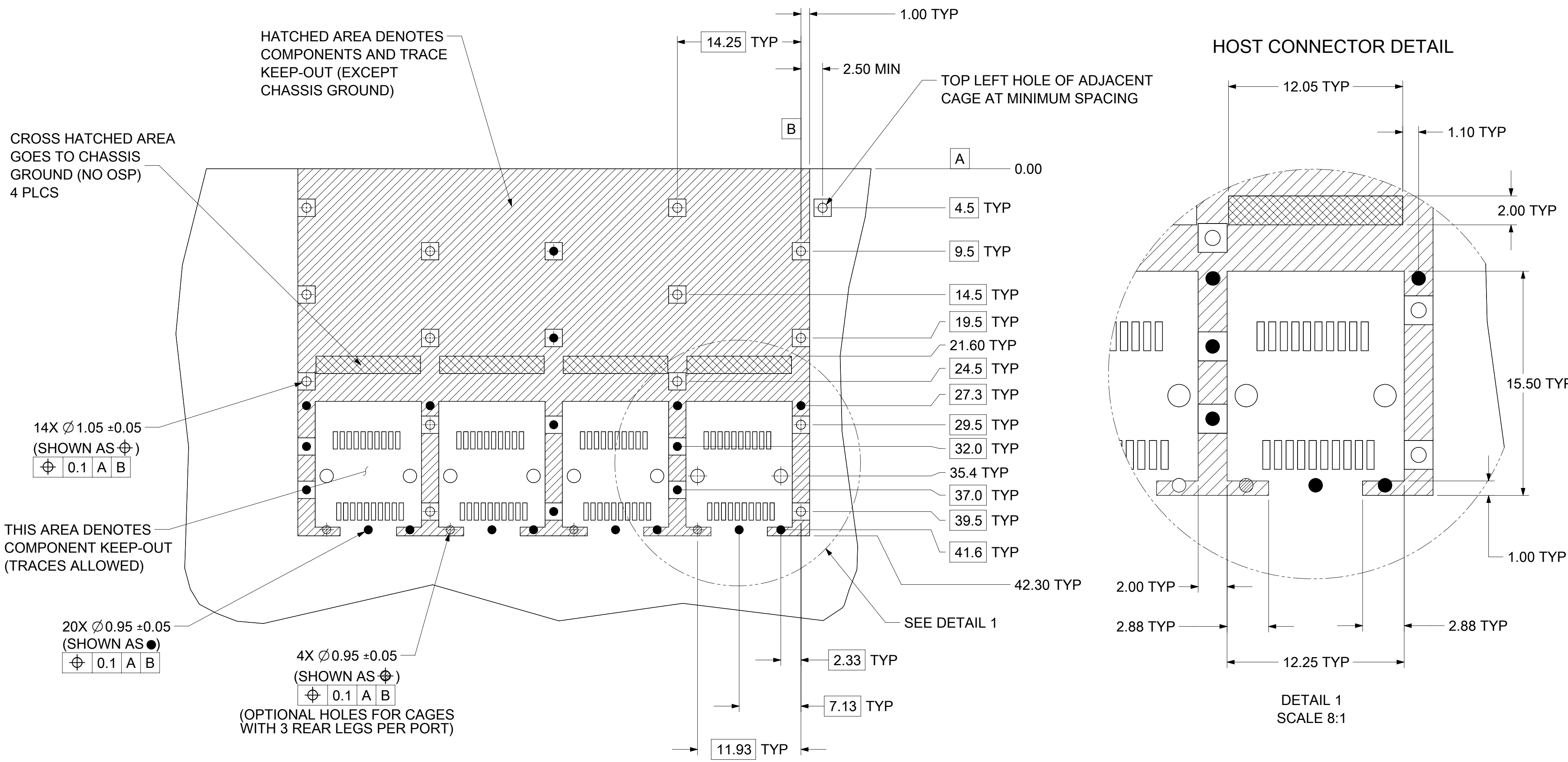
SFP+ OPEN TOP BASE CAGE FOR HEATSINK				
PART NO.	POLYIMIDE INSULATOR	WELD POINT QUANTITY	# OF REAR LEGS PER PORT	PLATING
747548420	---	6	1A, 1B	----
747548427	YES	6	1A, 1B	----
(15mm MAX PITCH BETWEEN ANY 2 WELD POINTS)				

## REAR LEG OPTIONS (PER PORT)

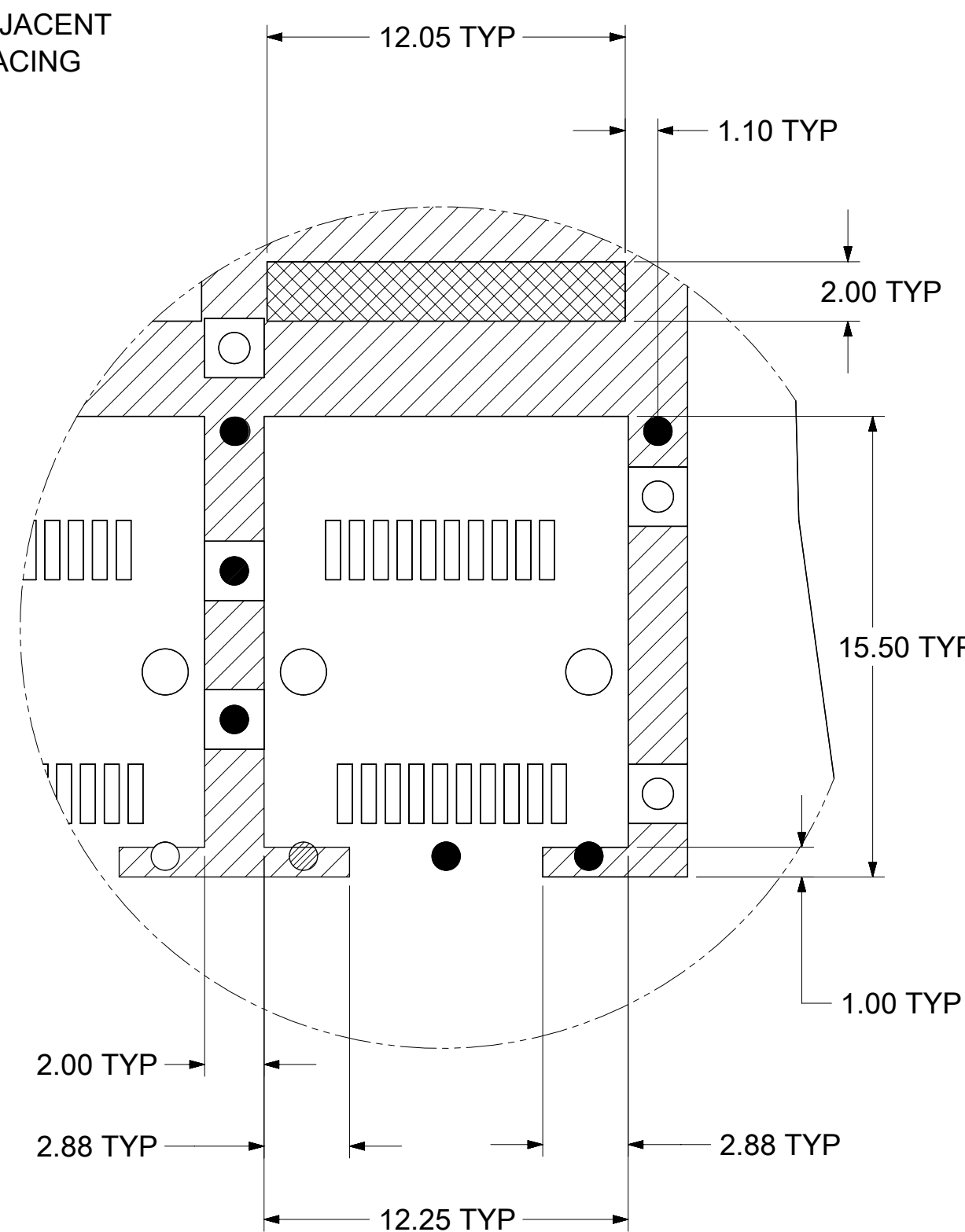


<b>FUNCTIONAL SYMBOLS</b> $\frac{F}{A} = 0$ $\frac{E}{C} = 0$ $\frac{E}{P} = 0$	THIS DRAWING CONTAINS INFORMATION THAT IS PROPRIETARY TO MOLEX ELECTRONIC TECHNOLOGIES, LLC AND SHOULD NOT BE USED WITHOUT WRITTEN PERMISSION		CURRENT REV DESC: SEE REVISION TABLE				
	DIMENSION UNITS	SCALE	GENERAL TOLERANCES (UNLESS SPECIFIED)				
	mm	4:3	ANGULAR TOL $\pm 1.0^\circ$				
	4 PLACES $\pm$		EC NO: 706897				
<b>DIVISIONAL SYMBOLS</b> 3 PLACES $\pm$ 2 PLACES $\pm 0.15$ 1 PLACE $\pm 0.25$ 0 PLACES $\pm$	DRAFT WHERE APPLICABLE MUST REMAIN WITHIN DIMENSIONS		THIRD ANGLE PROJECTION		DRWN: ABHILT2 2022/05/04 CHK'D: TKUMARKC 2022/05/16 APPR: SCHIEN 2022/05/19 INITIAL REVISION: DRWN: ABHILT2 2022/05/04 APPR: SCHIEN 2022/05/19		
	DRAWING		SERIES				
	C-SIZE		111112				
	MATERIAL NUMBER		CUSTOMER				
DOCUMENT NUMBER		DOC TYPE		DOC PART		REVISION	
1111128320		PSD		ASY		A	
SEE SHEET 3		SHEET NUMBER		3 OF 7			

# PCB LAYOUT FOR SINGLE SIDE MOUNT



## HOST CONNECTOR DETAIL



DETAIL 1  
SCALE 8:1

- NOTES:
- PADS AND VIAS CONNECT TO CHASSIS GROUND (RECOMMENDED PADS TO BE 2.00mm SQUARE)
  - RECOMMENDED THRU HOLE PLATING INCLUDES HASL, OSP, OR IMMERSION (GOLD, SILVER, OR TIN)
  - CONNECTOR PAD LAYOUT PER SFP+ MSA WILL ACCOMMODATE MOLEX CONNECTOR SERIES 74441 OR EQUIVALENT
  - HOLE PATTERN REPEATS FOR EACH PORT, SPACING BETWEEN PORTS IS 14.25mm
  - MINIMUM PCB THICKNESS FOR SINGLE SIDED USE 1.57mm.

FUNCTIONAL SYMBOLS	THIS DRAWING CONTAINS INFORMATION THAT IS PROPRIETARY TO MOLEX ELECTRONIC TECHNOLOGIES, LLC AND SHOULD NOT BE USED WITHOUT WRITTEN PERMISSION		CURRENT REV DESC: SEE REVISION TABLE	
	DIMENSION UNITS	SCALE		
$\overline{A} = 0$	mm	3:1		
$\overline{C} = 0$	GENERAL TOLERANCES (UNLESS SPECIFIED)			
	ANGULAR TOL $\pm 1.0^\circ$			
DIVISIONAL SYMBOLS	4 PLACES	$\pm$	EC NO: 706897	
	3 PLACES	$\pm$	DRWN: ABHILT2	2022/05/04
	2 PLACES	$\pm 0.15$	CHK'D: TKUMARKC	2022/05/16
	1 PLACE	$\pm 0.25$	APPR: SCHIEN	2022/05/19
0 PLACES	$\pm$	INITIAL REVISION:		
DRAFT WHERE APPLICABLE MUST REMAIN WITHIN DIMENSIONS		THIRD ANGLE PROJECTION	DRAWING	SERIES
			C-SIZE	111112
DOCUMENT STATUS		P1	RELEASE DATE	2022/05/19 07:40:31
12		11	10	9
12		11	10	9

**molex**

SFP+ 1X4 SF CAGE ASSY'S PRESS FIT, HEAT SINKS, WITH SUS EMI SPRING FINGERS

PRODUCT CUSTOMER DRAWING

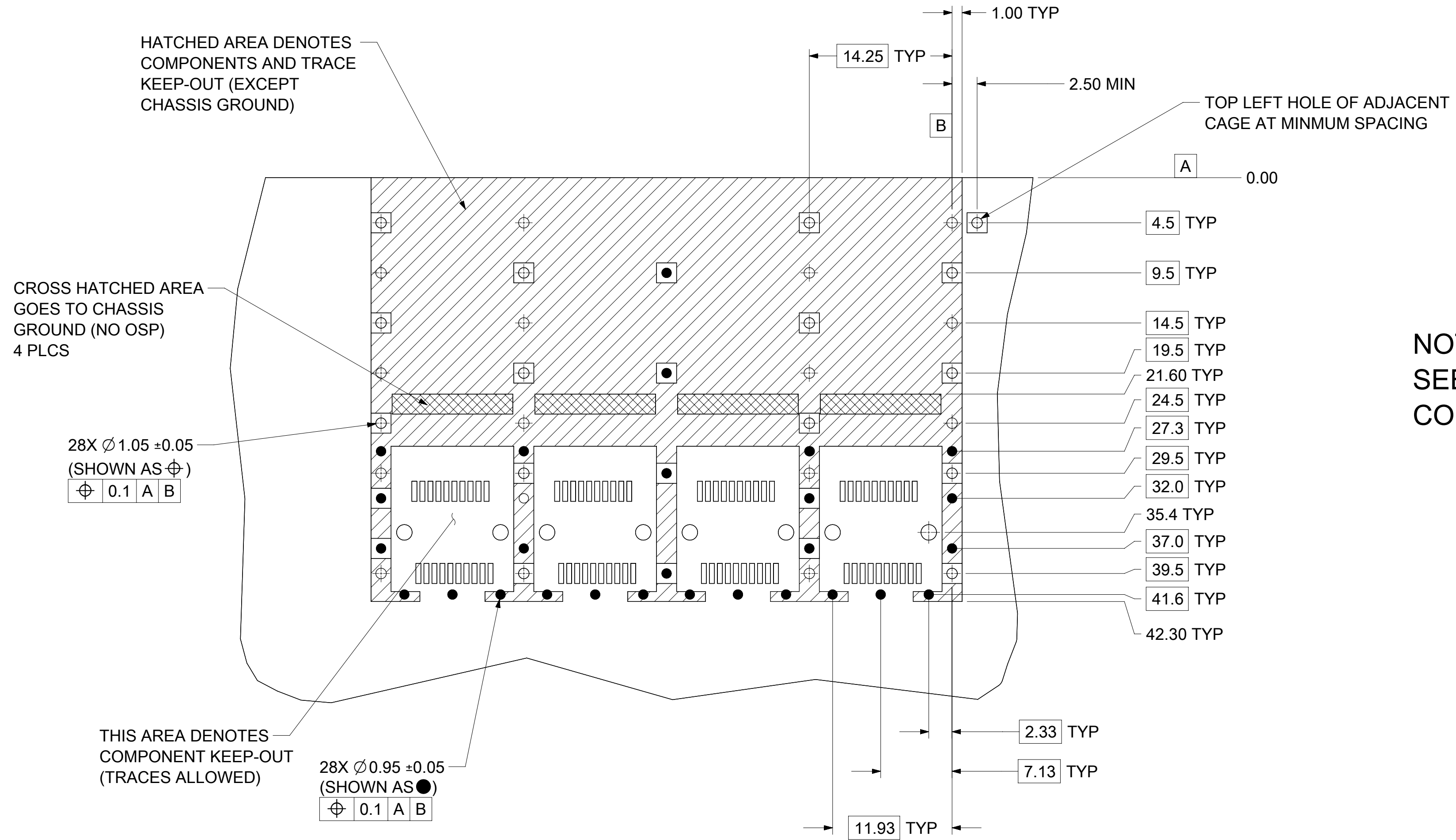
DOCUMENT NUMBER  
**111128320**

DOC TYPE DOC PART REVISION  
PSD ASY A

MATERIAL NUMBER  
SEE SHEET 3

CUSTOMER SHEET NUMBER  
4 OF 7

# PCB LAYOUT FOR BELLY TO BELLY MOUNTING

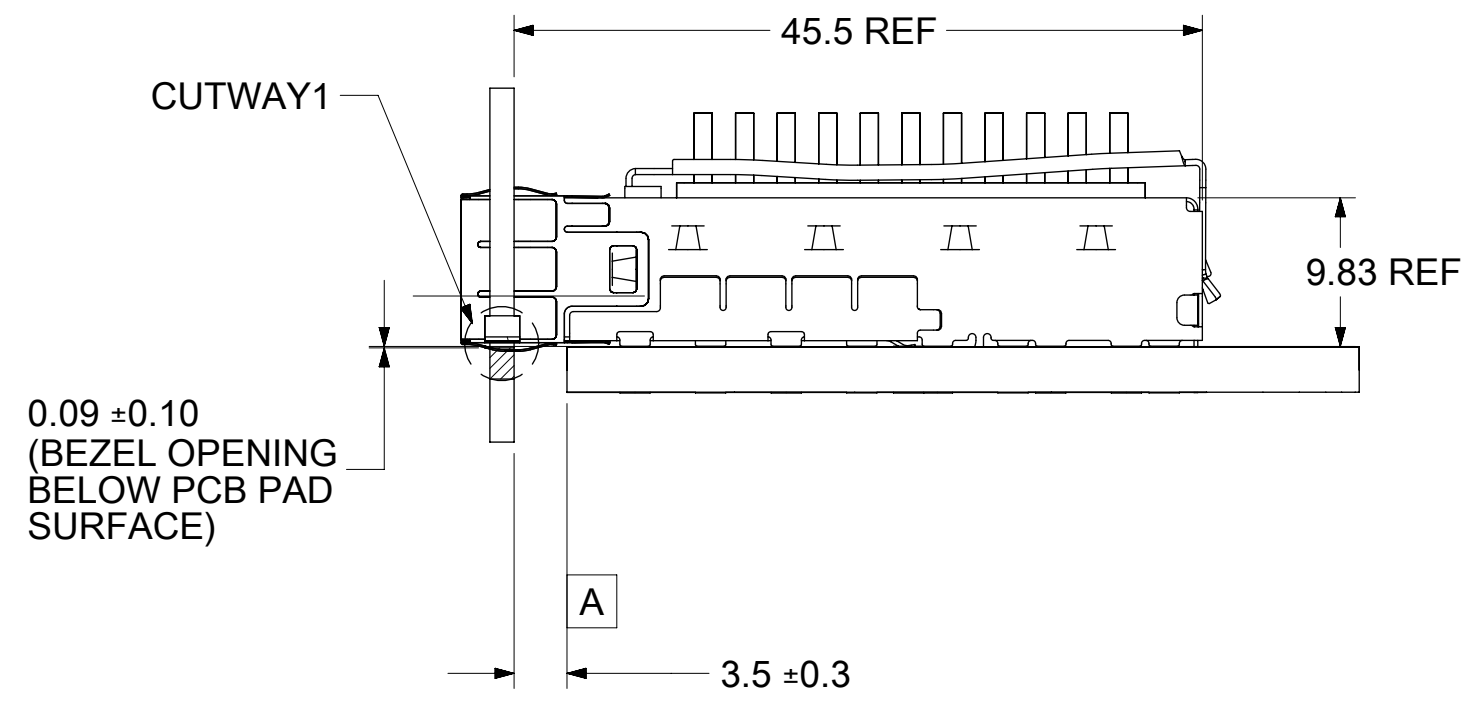
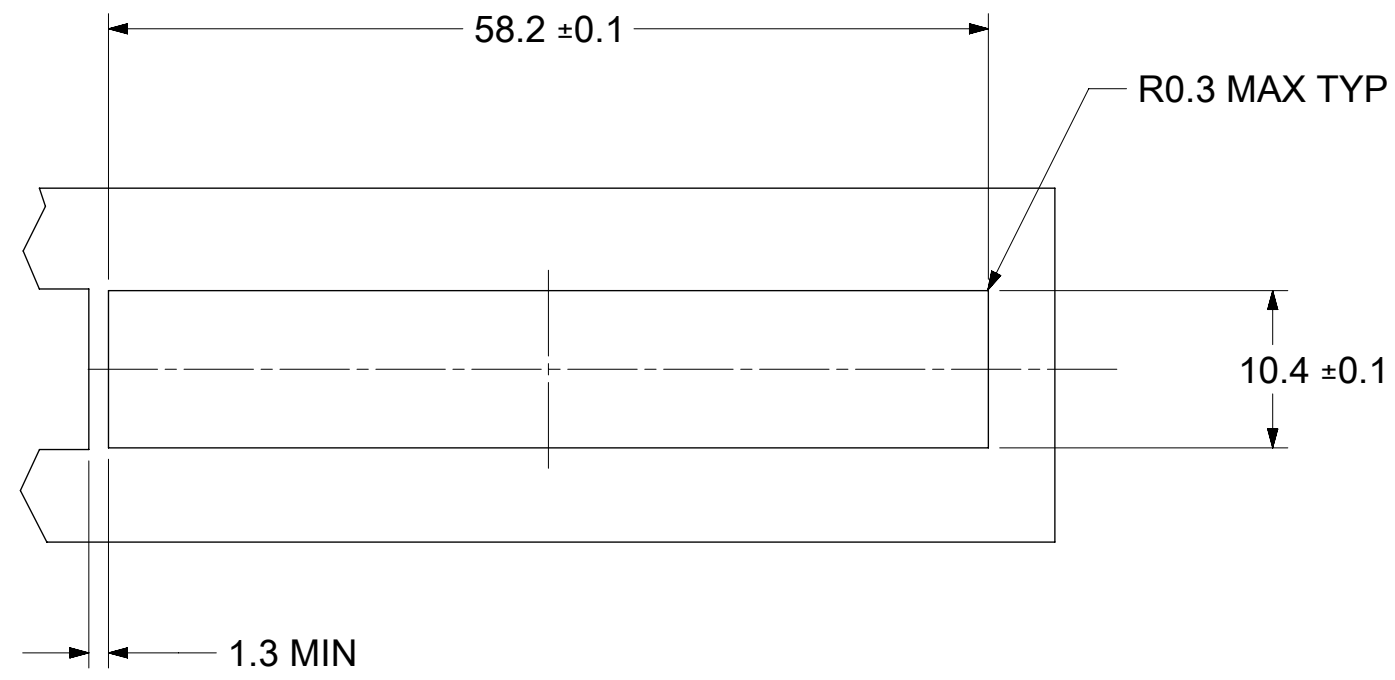


**NOTE:**  
SEE SHEET 4 FOR HOST  
CONNECTOR DETAIL

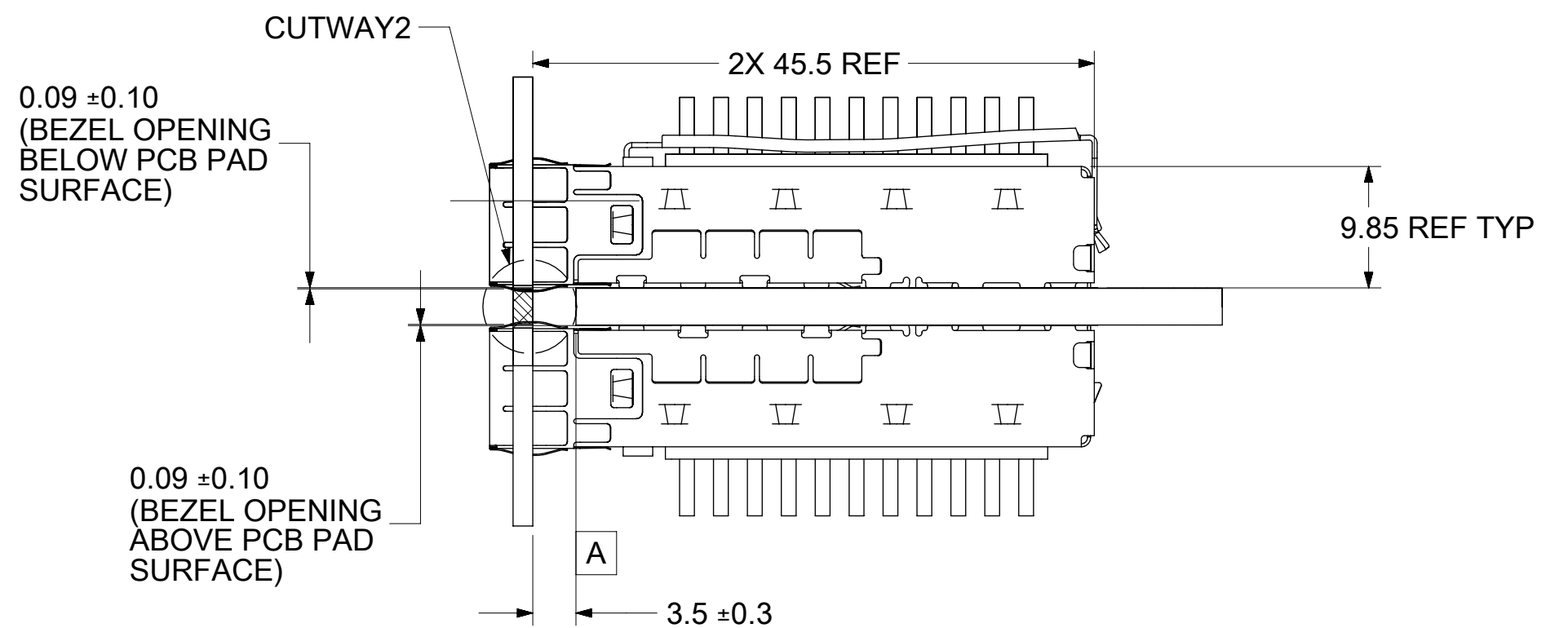
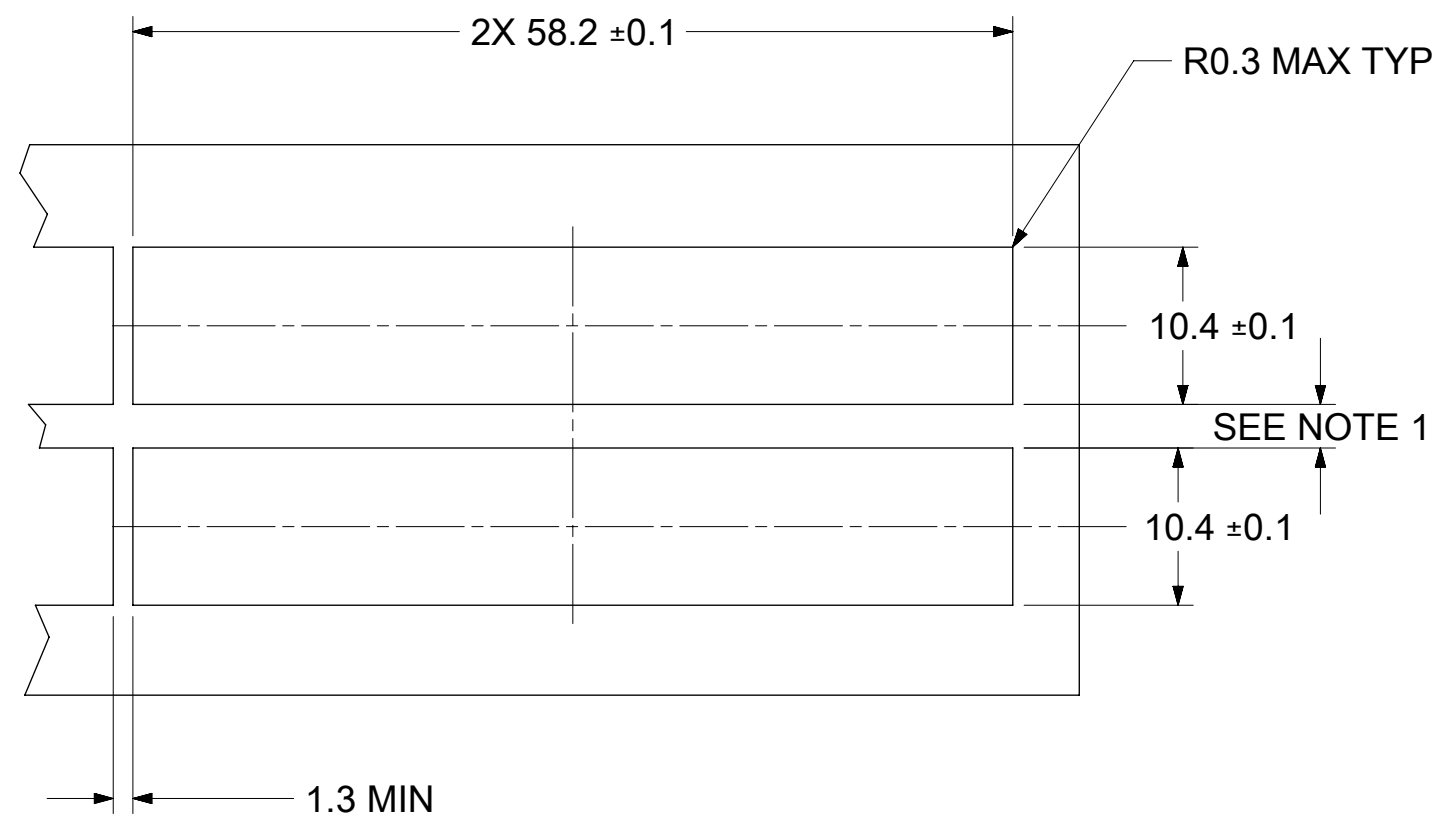
- NOTES:**
1. PADS AND VIAS CONNECT TO CHASSIS GROUND (RECOMMENDED PADS TO BE 2.00mm SQUARE)
  2. RECOMMENDED THRU HOLE PLATING INCLUDES HASL, OSP, OR IMMERSION (GOLD, SILVER, OR TIN)
  3. CONNECTOR PAD LAYOUT PER SFP+ MSA WILL ACCOMMODATE MOLEX CONNECTOR SERIES 74441 OR EQUIVALENT
  4. HOLE PATTERN REPEATS FOR EACH PORT, SPACING BETWEEN PORTS IS 14.25mm
  5. MINIMUM PCB THICKNESS FOR BELLY TO BELLY USE 3.00mm.

FUNCTIONAL SYMBOLS	THIS DRAWING CONTAINS INFORMATION THAT IS PROPRIETARY TO MOLEX ELECTRONIC TECHNOLOGIES, LLC AND SHOULD NOT BE USED WITHOUT WRITTEN PERMISSION		CURRENT REV DESC: SEE REVISION TABLE		<b>molex</b>
	DIMENSION UNITS	SCALE			
$\frac{F}{A} = 0$	mm	3:1			SFP+ 1X4 SF CAGE ASSY'S PRESS FIT, HEAT SINKS, WITH SUS EMI SPRING FINGERS
$\frac{F}{C} = 0$	GENERAL TOLERANCES (UNLESS SPECIFIED)				
$\frac{F}{P} = 0$	ANGULAR TOL ± 1.0°				PRODUCT CUSTOMER DRAWING
DIVISIONAL SYMBOLS	4 PLACES	±	EC NO: 706897		
	3 PLACES	±	DRWN: ABHILT2 2022/05/04		
	2 PLACES	± 0.15	CHK'D: TKUMARKC 2022/05/16		
	1 PLACE	± 0.25	APPR: SCHIEN 2022/05/19		
	0 PLACES	±	INITIAL REVISION:		
	DRAFT WHERE APPLICABLE MUST REMAIN WITHIN DIMENSIONS		DRWN: ABHILT2 2022/05/04		DOCUMENT NUMBER
			APPR: SCHIEN 2022/05/19		1111128320
			THIRD ANGLE PROJECTION	DRAWING	SERIES
				C-SIZE	111112
			MATERIAL NUMBER	CUSTOMER	SHEET NUMBER
			SEE SHEET 3		5 OF 7

## BEZEL AND BOARD POSITION DIMENSIONS FOR SINGLE SIDE MOUNTING (SPRING FINGER)



## BEZEL AND BOARD POSITION DIMENSIONS FOR BELLY TO BELLY MOUNTING (SPRING FINGER)



**NOTE:**  
 1. PCB THICKNESS VARIATION MUST BE CONSIDERED WHEN DETERMINING BEZEL OPENING LOCATION.  
 2. CAGE LEG STANDOFF WILL PIERCE BELLY GASKET WHEN PROPERLY PRESSED INTO PCB.

<b>FUNCTIONAL SYMBOLS</b>	THIS DRAWING CONTAINS INFORMATION THAT IS PROPRIETARY TO MOLEX ELECTRONIC TECHNOLOGIES, LLC AND SHOULD NOT BE USED WITHOUT WRITTEN PERMISSION										
$\frac{F}{A} = 0$	DIMENSION UNITS	SCALE	CURRENT REV DESC: SEE REVISION TABLE							<b>molex</b>	
$\frac{F}{C} = 0$	mm	2:1									
$\frac{F}{P} = 0$	GENERAL TOLERANCES (UNLESS SPECIFIED)									SFP+ 1X4 SF CAGE ASSY'S PRESS FIT, HEAT SINKS, WITH SUS EMI SPRING FINGERS	
	ANGULAR TOL ± 1.0°										
<b>DIVISIONAL SYMBOLS</b>	4 PLACES ±		EC NO: 706897		2022/05/04					PRODUCT CUSTOMER DRAWING	
	3 PLACES ±		DRWN: ABHILT2		2022/05/16						
	2 PLACES ± 0.15		CHK'D: TKUMARKC		2022/05/19					DOCUMENT NUMBER <b>111128320</b>	
	1 PLACE ± 0.25		APPR: SCHIEN		2022/05/19						
	0 PLACES ±		INITIAL REVISION:							MATERIAL NUMBER SEE SHEET 3	
	DRAFT WHERE APPLICABLE MUST REMAIN WITHIN DIMENSIONS		DRWN: ABHILT2		2022/05/04						
			APPR: SCHIEN		2022/05/19					SHEET NUMBER 6 OF 7	
			THIRD ANGLE PROJECTION		DRAWING C-SIZE						

H

H

REV	DATE	DESCRIPTION
A	2022/05/04	INITIAL RELEASE

G

G

F

F

E

E

D

D

C


C

B

B

A

A

FUNCTIONAL SYMBOLS	THIS DRAWING CONTAINS INFORMATION THAT IS PROPRIETARY TO MOLEX ELECTRONIC TECHNOLOGIES, LLC AND SHOULD NOT BE USED WITHOUT WRITTEN PERMISSION															
	DIMENSION UNITS	SCALE	CURRENT REV DESC: SEE REVISION TABLE													
$\frac{F}{A} = 0$	mm	1:1	EC NO: 706897 DRWN: ABHILT2 2022/05/04 CHK'D: TKUMARKC 2022/05/16 APPR: SCHIEN 2022/05/19 INITIAL REVISION: DRWN: ABHILT2 2022/05/04 APPR: SCHIEN 2022/05/19									DOCUMENT NUMBER		DOC TYPE	DOC PART	REVISION
$\frac{F}{C} = 0$	GENERAL TOLERANCES (UNLESS SPECIFIED)									111128320		PSD	ASY	A		
$\frac{F}{P} = 0$	ANGULAR TOL ± 1.0°									SEE SHEET 3						
DIVISIONAL SYMBOLS	4 PLACES	±	DRAFT WHERE APPLICABLE MUST REMAIN WITHIN DIMENSIONS							THIRD ANGLE PROJECTION		DRAWING	SERIES	MATERIAL NUMBER	CUSTOMER	SHEET NUMBER
	3 PLACES	±								C-SIZE		111112				7 OF 7
	2 PLACES	± 0.15														
	1 PLACE	± 0.25														
	0 PLACES	±														

FORMATS: mox-0-0000-C  
REVISION: 01  
DATE: 2019/05/01