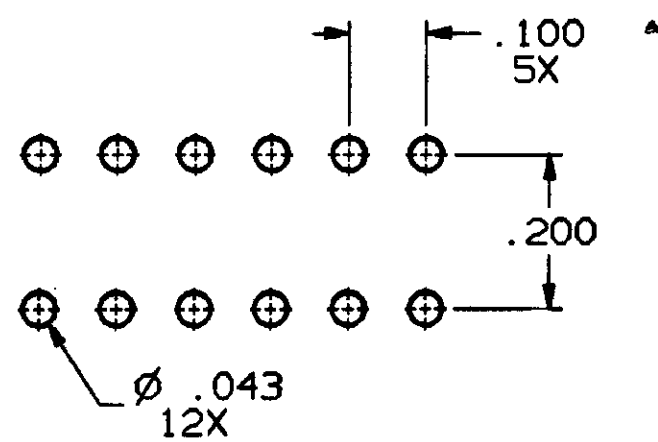
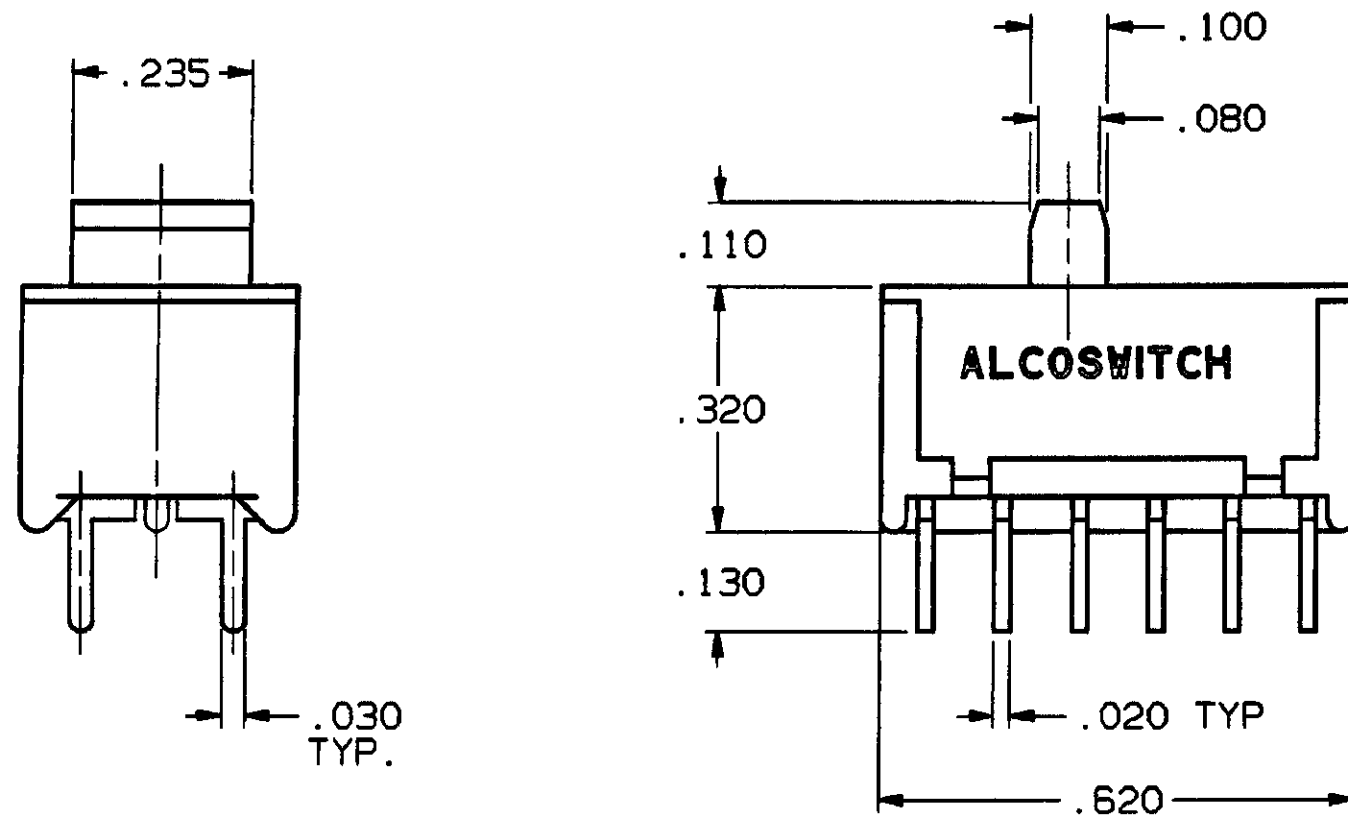
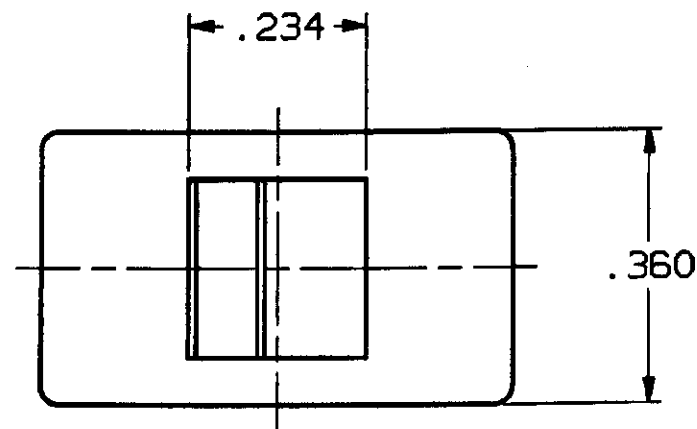


CONVERSION CHART	
INCH	MM
.002	0.05
.010	0.25
.020	0.51
.030	0.76
.043	1.09
.080	2.03
.100	2.54
.110	2.79
.130	3.30
.200	5.08
.234	5.94
.235	5.97
.320	8.13
.360	9.14
.620	15.75



PC LAYOUT
PC LAYOUT TOLERANCE: ±.002

SPECIFICATIONS:



MATERIALS:
CASE: HIGH TEMPERATURE POLYESTER, (94V-0)
FRAME: STEEL
ACTUATOR: POLYESTER (94V-0)
MOVABLE CONTACT: GOLD PLATE OVER COPPER ALLOY
STATIONARY CONTACT: GOLD PLATE OVER COPPER ALLOY
TERMINALS: TIN LEAD PLATE

ELECTRICAL:
CONTACT RATING: 0.4VA MAX. @ 20 VDC OR PEAK AC
CONTACT RESISTANCE: 40 MILLIOHMS MAX.
INSULATION RESISTANCE: 1,000 MEGOHMS MIN. @ 500 VDC
DIELECTRIC STRENGTH: 1,000 VOLTS RMS AT SEA LEVEL
LIFE EXPECTANCY: 60,000-80,000 CYCLES

ENVIRONMENTAL:
OPERATING TEMPERATURE: -20°C TO +80°C (-4°F TO 176°F)
STORAGE TEMPERATURE: -20°C TO +80°C (-4°F TO 176°F)

NOTES:

1. INTERPRET DRAWING PER ASME Y14.5M-1994.

TERMINAL DESIGNATION NUMBERS ARE FOR REFERENCE ONLY AND DO NOT APPEAR ON SWITCHES.

TERMINALS CONNECTED WHEN SLIDE IS IN POSITIONS SHOWN.

AUGAT D/N 40151-SD

THIS IS A C.A.D. GENERATED DRAWING.
DO NOT MAKE MANUAL REVISIONS TO MASTER.



THIRD ANGLE PROJECTION

TOLERANCES (EXCEPT AS NOTED)
ANGULAR = ±1°
DECIMAL .XX = ±
DECIMAL .XXX = ±.010
DECIMAL .XXXX = ±

TYCO CONFIDENTIAL
This document contains information which is the exclusive property of TYCO ELECTRONICS. Distribution, reproduction or use by others is not permitted without the expressed written consent of Augat Inc.

CUSTOMER DRAWING			
SPECIFICATIONS ARE SUBJECT TO CHANGES WITHOUT NOTICE			
UNLESS OTHERWISE SPECIFIED DIMENSIONS ARE IN INCHES DO NOT SCALE PRINT		ORIGINAL DATE OF DRAWING: 8-10-83	
FILE NAME: 40151OUT	DIRECTORY: SLDSWITCH	DRAWN: V.J.M.	DATE: 8-10-83
MATERIAL: SEE SPECIFICATIONS		CHECKED: B.B.	DATE: 8-18-83
FINISH: SEE SPECIFICATIONS		APPROVED: A.K.	DATE: 8-19-83
CODE IDENT. NO. 91506		DWG. SIZE C	
NEXT ASSY:			
		TITLE: CUSTOMER DRAWING SLIDE SWITCH (4 POLE) (TSS41NG-PC)	
		DWG. NO. 2-1437579-5	REV. A
PRODUCT CODE: CSI		SCALE: SHEET 1 OF 1	

REV	A
REVISIONS	063C-0173-02