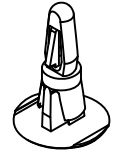
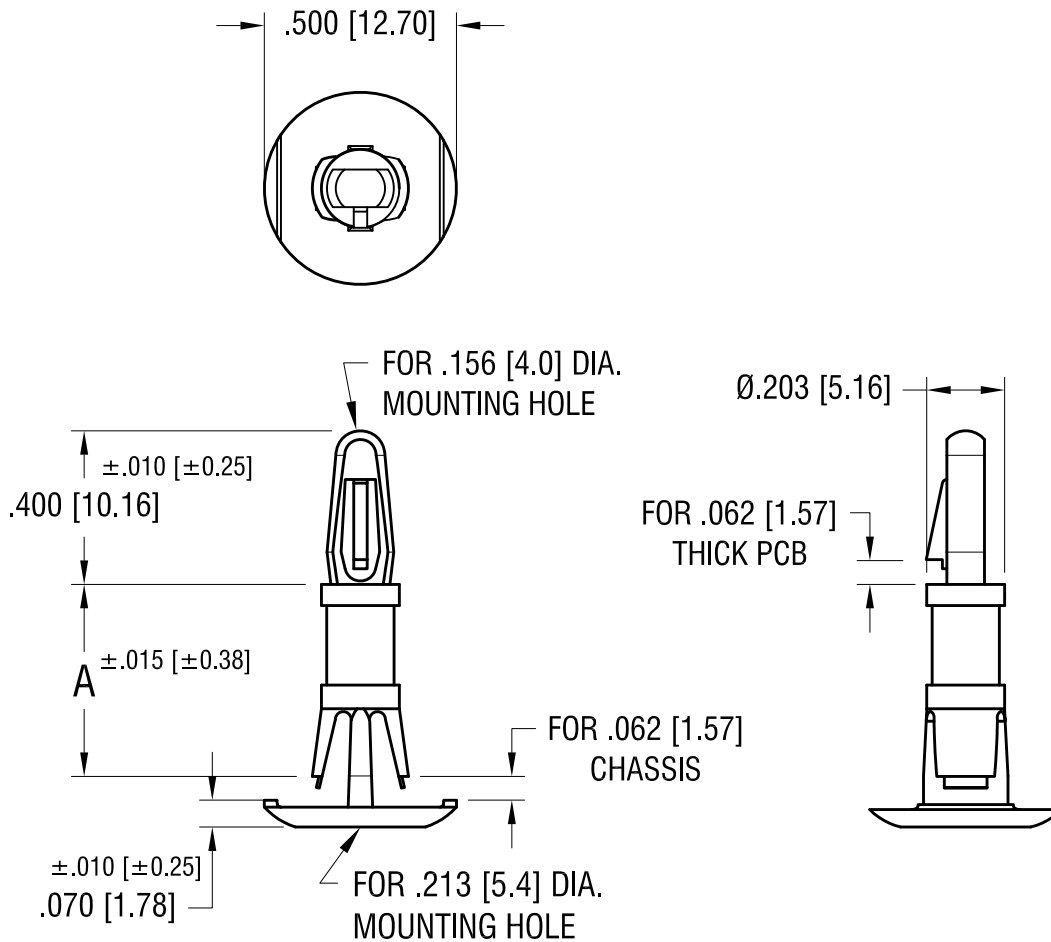


THIS DOCUMENT IS THE PROPERTY OF KEYSTONE ELECTRONICS CORP. AND SHALL NOT BE REPRODUCED, DISTRIBUTED OR USED AS A BASIS FOR MANUFACTURE WITHOUT PRIOR WRITTEN PERMISSION FROM KEYSTONE ELECTRONICS CORP.

ACTUAL SIZE



P/N 9061



PART NO.	'A' DIM.
9061	.250 [6.35]
9062	.375 [9.52]
9063	.500 [12.70]
9064	.625 [15.87]

**KEYSTONE ELECTRONICS CORP.**

www.keyelco.com • NEW HYDE PARK NY 11040 • Tel (516)328-7500

PART NAME				CHASSIS MOUNT SUPPORT			
MATERIAL				NYLON 6/6, UL 94V-0			
FINISH		DRN BY		DATE		APP'D	
NONE		BOONE		8.29.06		RH	
TOLERANCES		INCH		[MM]		CODE	
DECIMAL		± .005		[± 0.13]		C	
ANGULAR		± 1°		UNLESS OTHERWISE SPECIFIED		DWG NO.	
						9061 - 9064	

DATE	DESCRIPTION	REV.