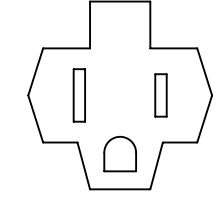
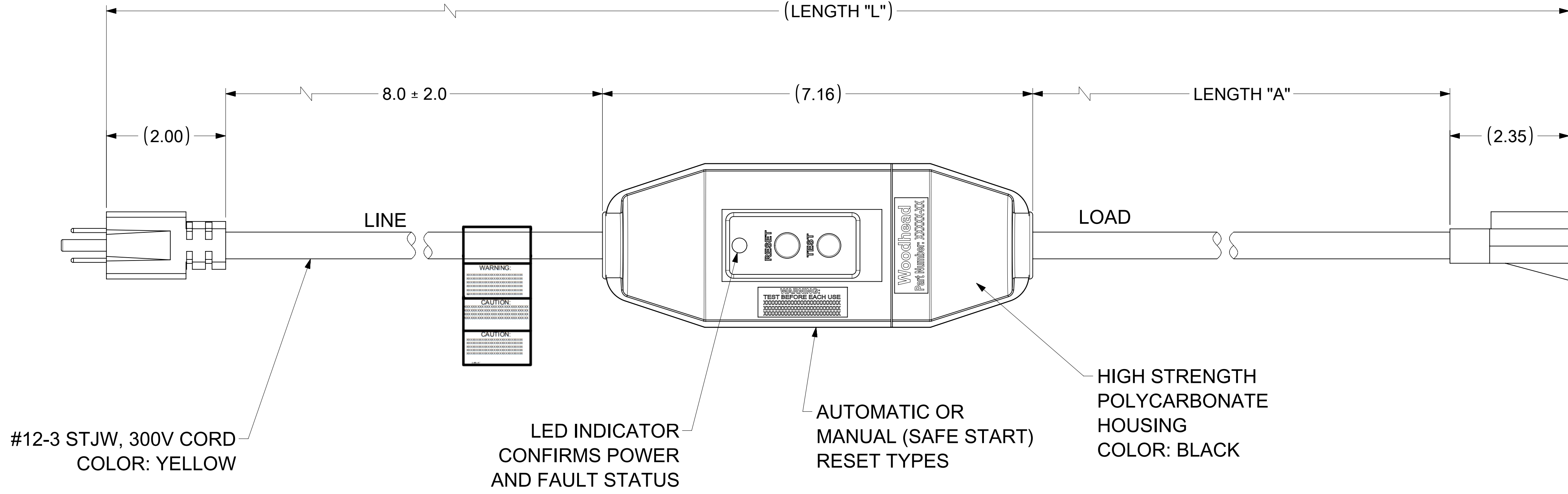


NEMA 5-15P
MOLDED PLUG
COLOR: BLACK



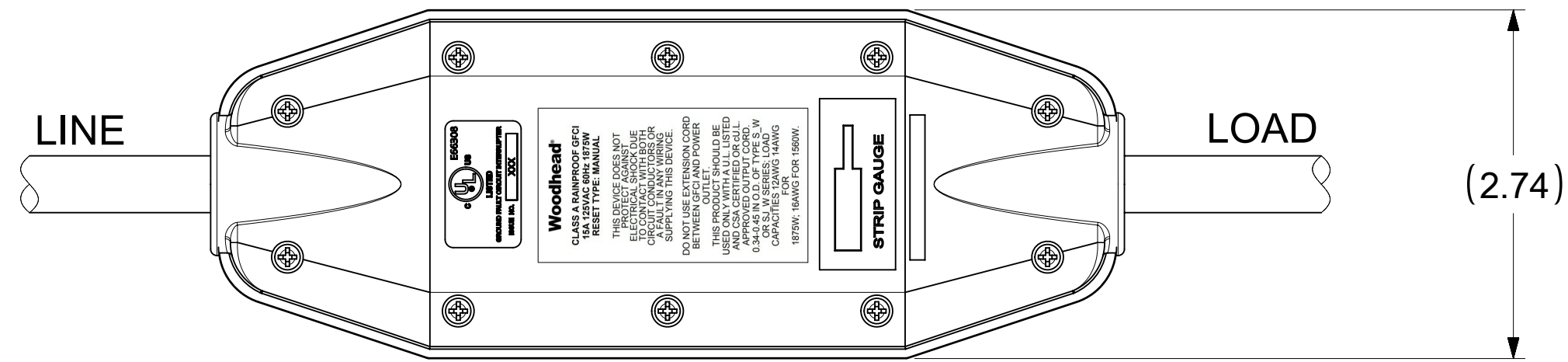
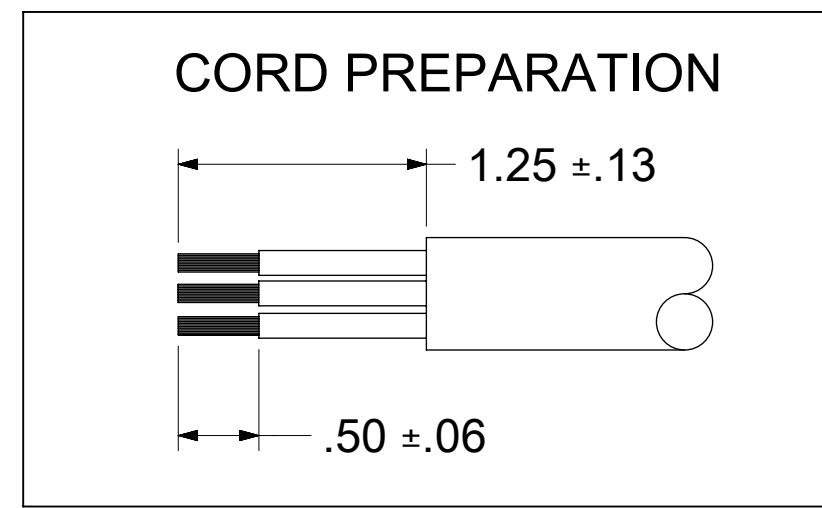
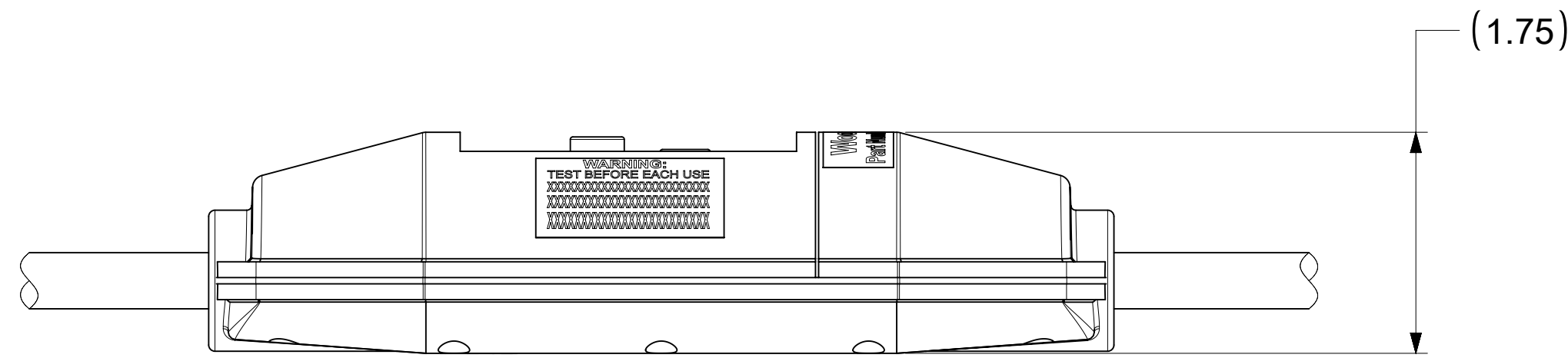
NEMA 5-15R
MOLDED CONNECTOR
COLOR: BLACK

#12-3 STJW, 300V CORD
COLOR: YELLOW

LED INDICATOR
CONFIRMS POWER
AND FAULT STATUS

AUTOMATIC OR
MANUAL (SAFE START)
RESET TYPES

HIGH STRENGTH
POLYCARBONATE
HOUSING
COLOR: BLACK



MATERIAL NO.	ENGINEERING NO.	LENGTH "L"	LENGTH "A"	POWER-UP
1301530020	15050-1A	2 FT 7.5 IN	1 FT ± 1 IN	AUTO
1301530037	15050-6A	7 FT 7.5 IN	6 FT ± 2 IN	AUTO
1301530023	15050-25A	26 FT 7.5 IN	25 FT ± 2 IN	AUTO
1301530031	15050-50A	51 FT 7.5 IN	50 FT ± 4 IN	AUTO
1301530021	15050-1M	2 FT 7.5 IN	1 FT ± 1 IN	MANUAL
1301530038	15050-6M	7 FT 7.5 IN	6 FT ± 2 IN	MANUAL
1301530024	15050-25M	26 FT 7.5 IN	25 FT ± 2 IN	MANUAL
1301530032	15050-50M	51 FT 7.5 IN	50 FT ± 4 IN	MANUAL

TECHNICAL:
 LISTED: UL AND cUL
 RATED SUPPLY VOLTAGE: 120 VAC
 RATED CURRENT: UP TO 15 AMPS OR CABLE RATING
 RESET TYPE: AUTOMATIC OR MANUAL
 OPERATING FREQUENCY: 60 Hz
 TYPE: CLASS A
 GROUND TRIP CURRENT: 4-6 mA
 OVERLOAD CURRENT: 90 AMP 125 VAC
 INSULATION VOLTAGE: 1,500 VRMS - 1 MINUTE
 ENDURANCE OPERATIONS: 3000 OPERATIONS

FUNCTIONAL SYMBOLS FA = 0 FC = 0 FD = 0	THIS DRAWING CONTAINS INFORMATION THAT IS PROPRIETARY TO MOLEX ELECTRONIC TECHNOLOGIES, LLC AND SHOULD NOT BE USED WITHOUT WRITTEN PERMISSION		CURRENT REV DESC:		
	DIMENSION UNITS INCH	SCALE NTS	EC NO: 686220 DRWN: VASUTHKARP 2021/11/11 CHK'D: DNGUYEN62 2021/12/01 APPR: HKNEELAND 2022/01/04		
DIVISIONAL SYMBOLS	GENERAL TOLERANCES (UNLESS SPECIFIED) ANGULAR TOL ± 0.5°		INITIAL REVISION: DRWN: HRUIZ01 2013/02/06 APPR: JFMURPHY 2015/04/20		PRODUCT CUSTOMER DRAWING
DRAFT WHERE APPLICABLE MUST REMAIN WITHIN DIMENSIONS		THIRD ANGLE PROJECTION	DRAWING D-SIZE	SERIES 130153	DOCUMENT NUMBER SD-130153-013
DOCUMENT STATUS P1		RELEASE DATE 2022/01/04 19:20:27	CUSTOMER NORTH SHORE SAFETY		DOC TYPE PSD
SHEET NUMBER 1 OF 1		MATERIAL NUMBER SEE TABLE		DOC PART 001	
REVISION A1		SHEET NUMBER 1 OF 1		REVISION	