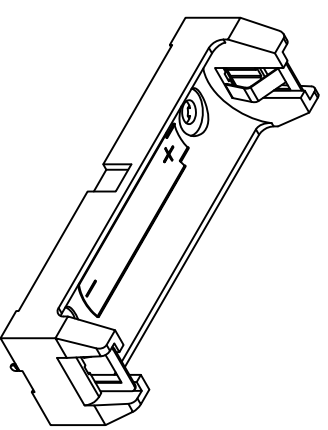


- NOTE:
1. BASE:
MATL: PBT, BLACK UL 94V-0.
 2. CONTACT:
MATL: .012 [0.30] THK STAINLESS STEEL.
FINISH: TIN NICKEL PLATE.
 3. SPECIAL PACKAGING:
PART SUPPLIED ON TRAY, 25 PCS PER TRAY



DATE	DESCRIPTION	REV.
3.11.03	CHANGE AS PER ECN 03-022	A
6.24.10	CHANGE AS PER ECN 10-046	B
3.07.22	CHANGE AS PER ECN 22-045 ADD NOTE #3	C

KEYSTONE ELECTRONICS CORP.
 www.keystone.com • NEW HYDE PARK, NY 11040 • Tel (516) 328-7500

PART NAME: PC BATTERY HOLDER, AA
 MATERIAL: AS NOTED

FINISH: AS NOTED
 TOLERANCES: INCH [MM]
 DECIMAL ±.010 [±0.25]
 ANGULAR ± 1°
 CODE: C
 DWG NO.: 1028

THIS DOCUMENT IS THE PROPERTY OF
 KEYSTONE ELECTRONICS CORP. AND
 SHALL NOT BE REPRODUCED, DISTRIBUTED
 OR USED AS A BASIS FOR MANUFACTURE
 WITHOUT PRIOR WRITTEN PERMISSION
 FROM KEYSTONE ELECTRONICS CORP.