

THIS DRAWING IS UNPUBLISHED.

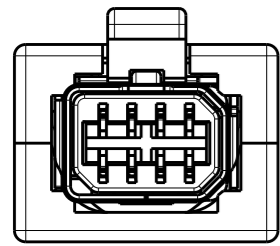
RELEASED FOR PUBLICATION

12JUN2012

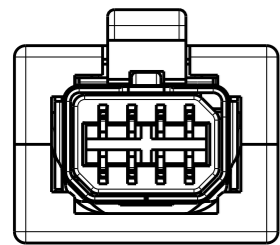
© COPYRIGHT 2012 BY Tyco Electronics Japan G.K. ALL RIGHTS RESERVED.

LOC	DIST	REVISIONS					
		P	LTR	DESCRIPTION	DATE	DWN	APVD
J	-		A	RELEASED	06DEC2013	T.S	N.Y
			B	ADD ITEM	18NOV2014	T.S	N.Y
			C	RELEASED PER ECR-18-015311	26SEP2018	PP	RB

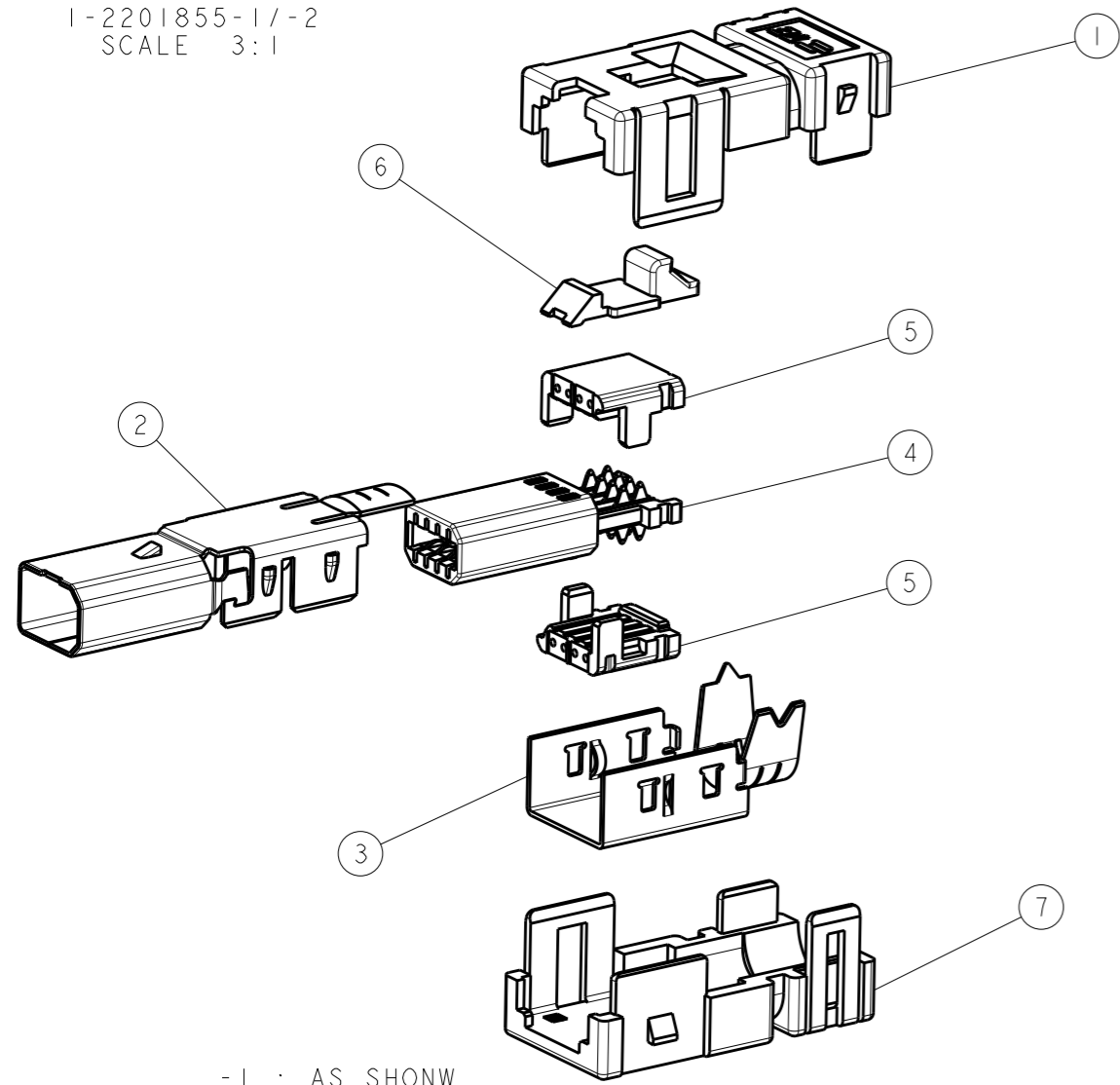
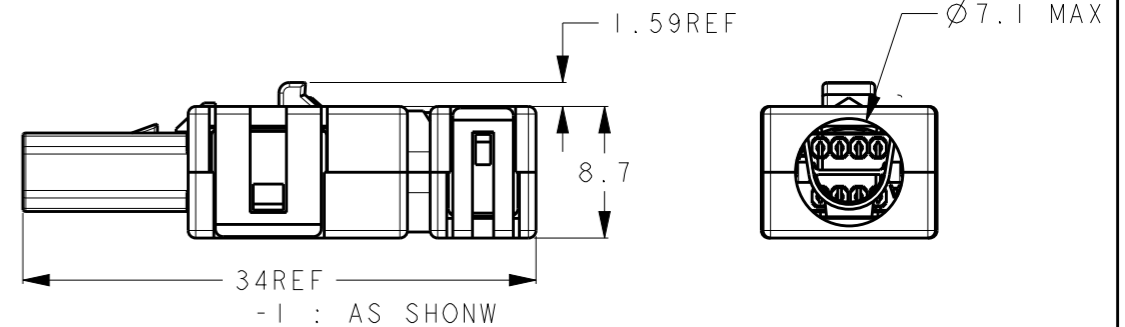
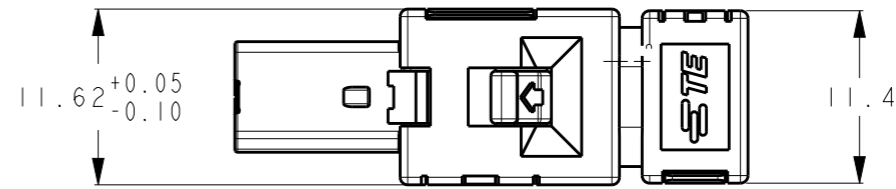
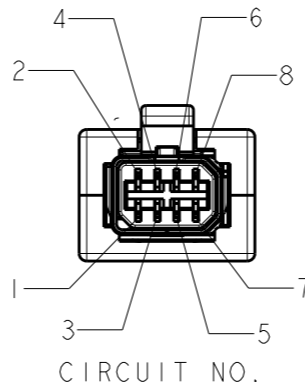
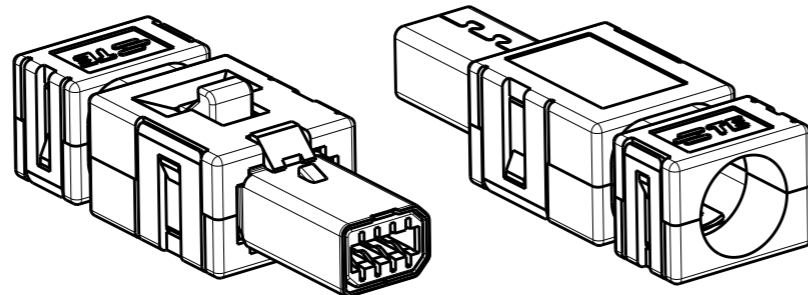
- 1. -1 : TYPE I , INSULATION DIAMETER 1.05-1.15mm
- 1- -1 : TYPE II, INSULATION DIAMETER 1.05-1.15mm
- 2 : TYPE I , INSULATION DIAMETER 0.93-1.05mm
- 1- -2 : TYPE II, INSULATION DIAMETER 0.93-1.05mm
- 3 : TYPE I , INSULATION DIAMETER 0.93-1.05mm IPC, 1.05-1.15mm IPC
- 6 : TYPE I , INSULATION DIAMETER 1.1-1.2mm



MATING SHAPE : TYPE I  
2201855-1/-2/-3/-6  
SCALE 3:1



MATING SHAPE : TYPE II  
1-2201855-1/-2  
SCALE 3:1



-1 : AS SHOWN

1	2	3	4	5	6	7	8	MATERIAL/FINISH	PART NAME	ITEM
1	1	1	1	1	1	1	1	THERMO PLASTIC	PLUG COVER HSG BOTTOM	7
1	1	1	1	1	1	1	1	THERMO PLASTIC	LOCK HSG	6
2	-	-	-	-	-	-	-	THERMO PLASTIC	CABLE HSG Ø1.10-1.20 COLOR : GREEN	5
-	1	2	2	-	-	-	CABLE HSG Ø0.93-1.05 COLOR : RED			
-	1	-	-	2	2	-	CABLE HSG Ø1.05-1.15 COLOR : BLUE			
1	1	1	1	1	1	1	1	HSG MATERIAL:THERMO PLASTIC	PLUG SUB ASSY	4
1	1	1	1	1	1	1	1	CONTACT MATERIAL:COPPER ALLOY FINISH:NI PLATING ALL OVER CONTACT AREA Au PLATING TERMINATION AREA Au PLATING		
1	1	1	1	1	1	1	1	MATERIAL:COPPER ALLOY FINISH:NICKEL PLATING	BOTTOM SHELL	3
-	-	1	-	1	-	-	-	MATERIAL:COPPER ALLOY FINISH:NICKEL PLATING	PLUG TOP SHELL TYPE II	2
1	1	-	1	-	1	1	1	MATERIAL:COPPER ALLOY FINISH:NICKEL PLATING	PLUG TOP SHELL TYPE I	
1	1	1	1	1	1	1	1	THERMO PLASTIC	PLUG COVER HSG TOP	1
-6	-3	1-	-2	-2	1-	-1	-1			

THIS DRAWING IS A CONTROLLED DOCUMENT.

DIMENSIONS: mm

TOLERANCES UNLESS OTHERWISE SPECIFIED: ±0.5

0 PLC ±

1 PLC ±0.5

2 PLC ±0.13

3 PLC ±0.013

4 PLC ±0.0001

ANGLES ±

MATERIAL - FINISH -

DWN 06DEC2013 T.SHIMOYASU

CHK 06DEC2013 M.HARASAWA

APVD 06DEC2013 N.YAMASAKI

PRODUCT SPEC 108-78955

APPLICATION SPEC 114-5506

WEIGHT -

CUSTOMER DRAWING

**STE** TE Connectivity

NAME INDUSTRIAL MINI I/O PIERCING PLUG CONNECTOR KIT

SIZE A3 CAGE CODE 00779 DRAWING NO C-2201855 RESTRICTED TO

SCALE 2:1 SHEET 1 OF 1 REV C