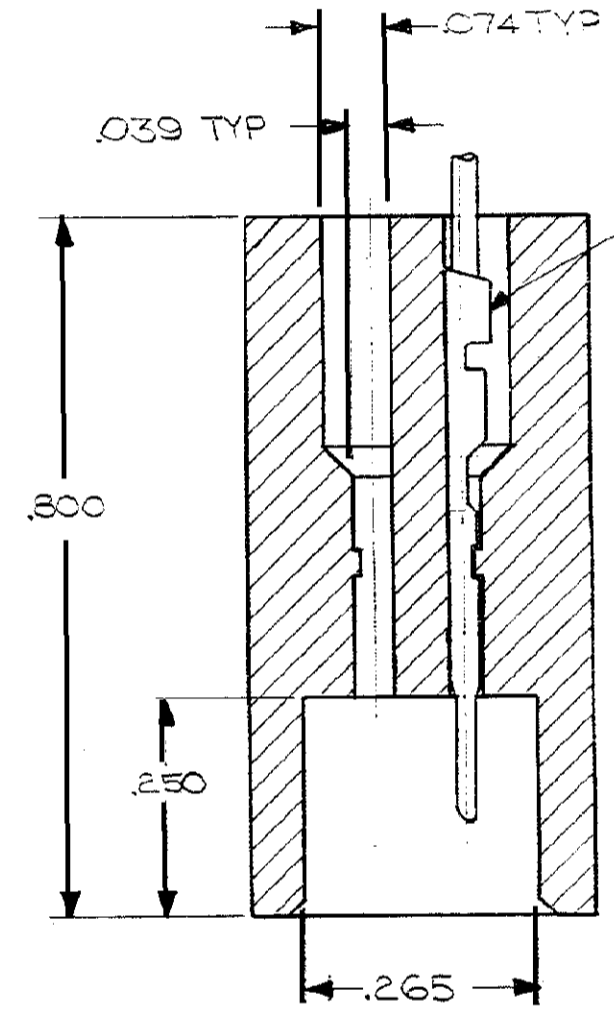
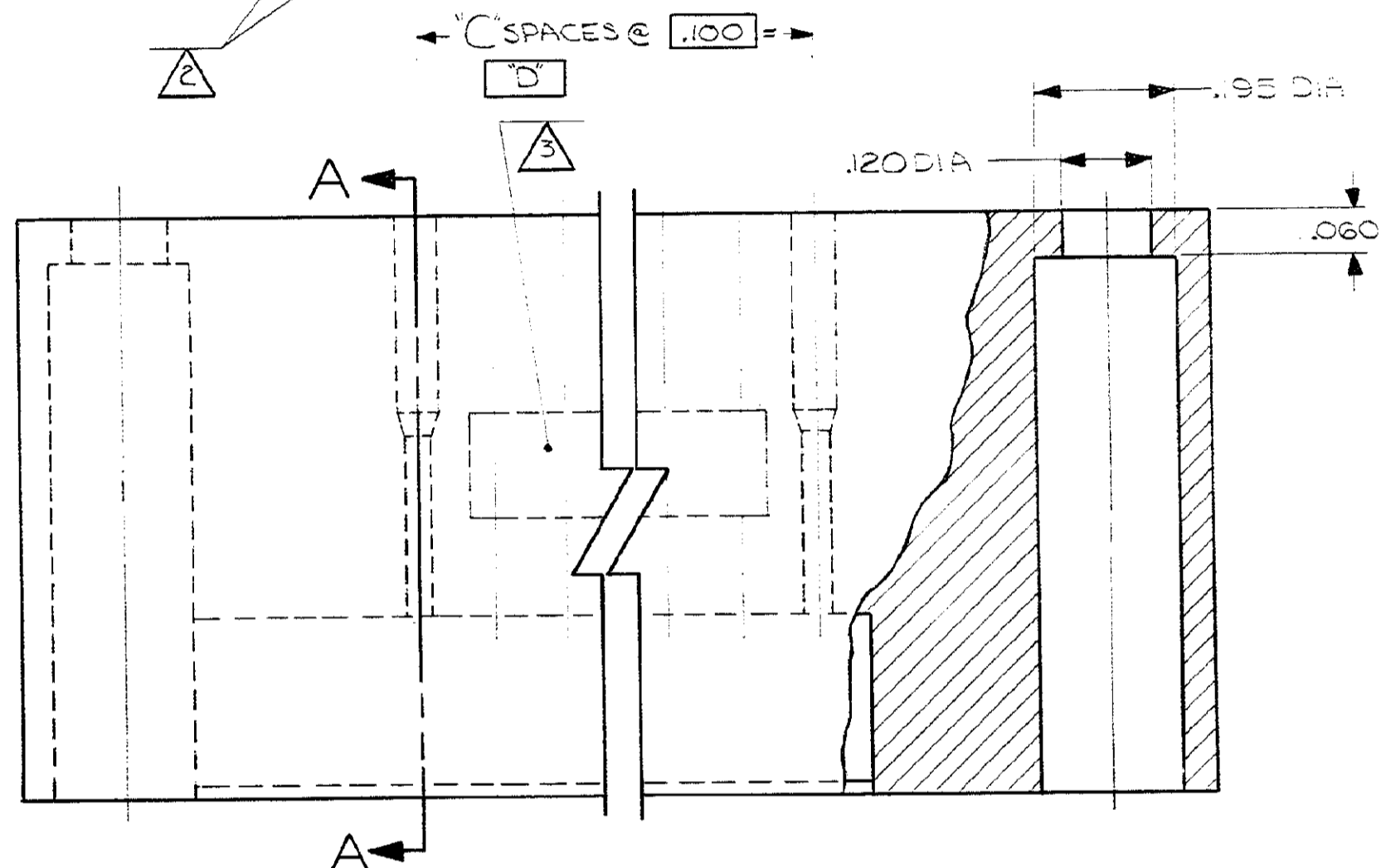
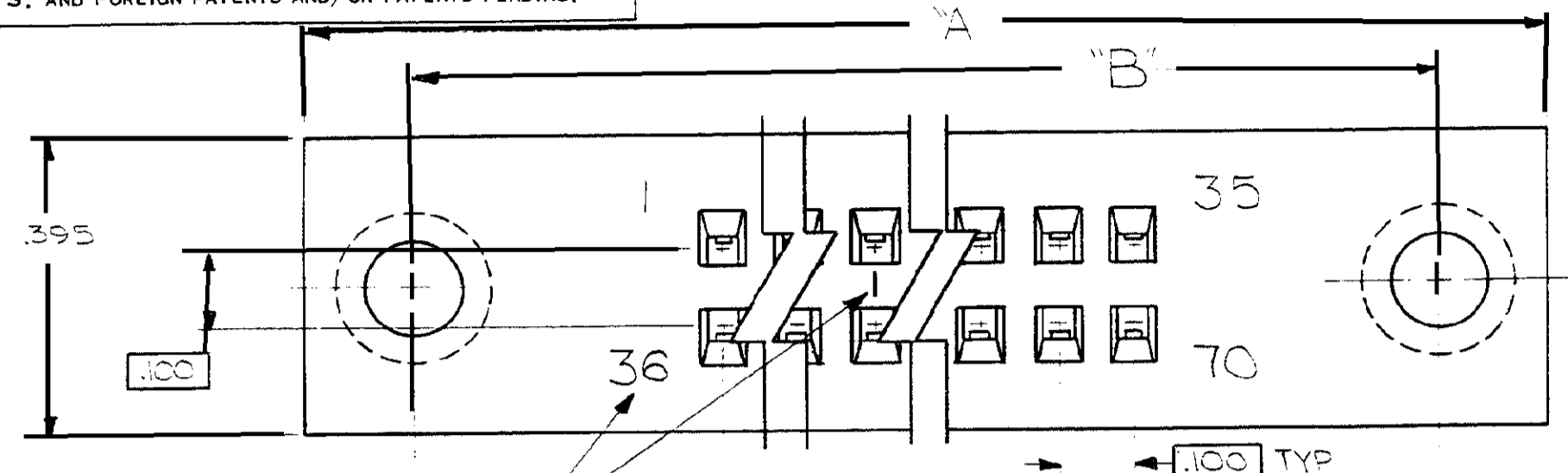


DRAWING MADE IN THIRD ANGLE PROJECTION

© COPYRIGHT 19 BY AMP INCORPORATED, HARRISBURG, PA. ALL INTERNATIONAL RIGHTS RESERVED. AMP INCORPORATED PRODUCTS COVERED BY U. S. AND FOREIGN PATENTS AND/OR PATENTS PENDING.

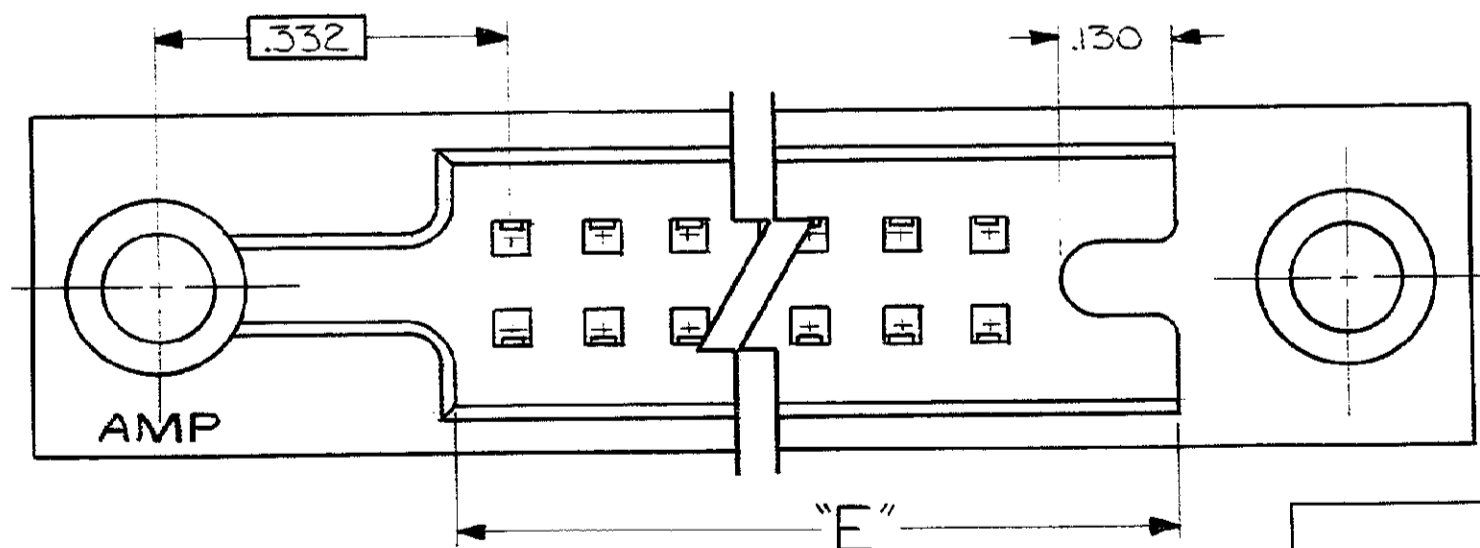
LOC AB DIST 39

REVISIONS				DATE	APPROVED
P	F	ZONE	LTR	DESCRIPTION	
		A		ECO-08-020831	PY 10-08 BW



CRIMP SNAP CONTACT (PURCHASED SEPARATELY)

SECTION A-A



56	50	5.675	5.400	54	6.065	6.355	110	1-530753-8	M55302/113-23
51	45	5.175	4.900	49	5.565	5.855	100	1- -6	-22
46	40	4.675	4.400	44	5.065	5.355	90	1- -4	-21
41	35	4.175	3.900	39	4.565	4.855	80	1- -2	-20
36	30	3.675	3.400	34	4.065	4.355	70	1- -2	-19
31	25	3.175	2.900	29	3.565	3.855	60	1- -0	-18
26	20	2.675	2.400	24	3.065	3.355	50	-8	-17
21	15	2.175	1.900	19	2.565	2.855	40	-6	-16
16	10	1.675	1.400	14	2.065	2.355	30	530753-4	M55302/113-15

- ① MATERIAL: GLASS FILLED POLYESTER - COLOR: BLUE
- ② MARKING - NUMBERS TO BE MARKED $\frac{1}{16}$ HIGH NUMERALS, AND LINES INDICATING EVERY FIVE CAVITIES TO BE MARKED ON REAR SURFACE.
- ③ MARK THIS AREA WITH AMP, PART NO, DATE CODE MIL. PART NO. EXAMPLE: AMP 530753-2, 7814 M55302/113-19.
- 4. MATES WITH M55302/27 STYLE 2 & STYLE 3 RECEPTACLES.

UNLESS OTHERWISE SPECIFIED DIMENSIONS ARE IN INCHES. TOLERANCES ON: DECIMALS $\pm .020$ ANGLES $\pm 1^{\circ}30'$	CONTRACT NO				
	DR 5-22-78				
	MATERIAL		NAME		
	FINISH		HOUSING-BOX CONTACT		
OTHER APPD		SIZE	CODE IDENT NO	DRAWING NO	REV
		C	00779	530753	A
		SCALE 5:1	SHEET		