

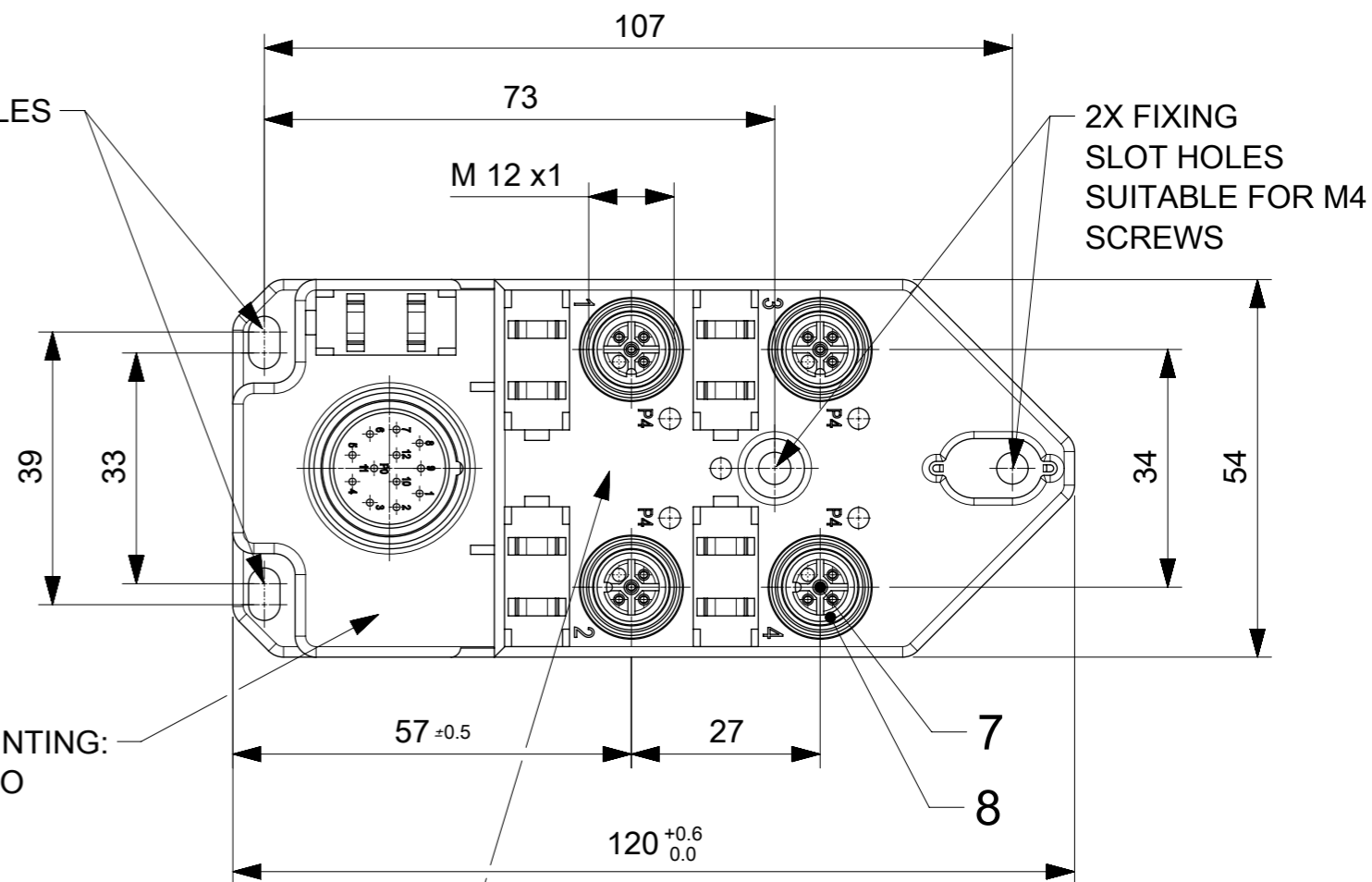
TABLE 1

MOLEX P/N	ENG. NO.	LED
1202480055	BTB4010-FBC	NO
1202480056	BTB401P-FBC	YES
1202480132	BTB401N-FBC	YES

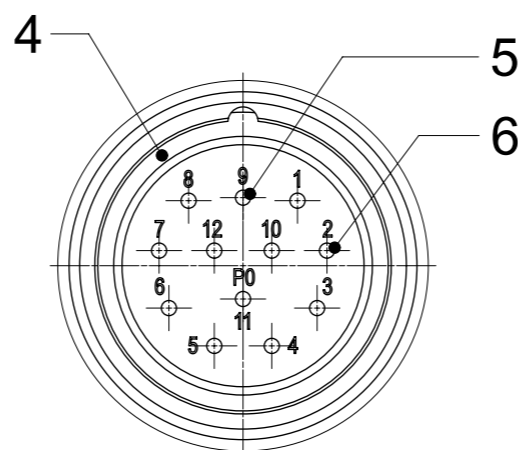
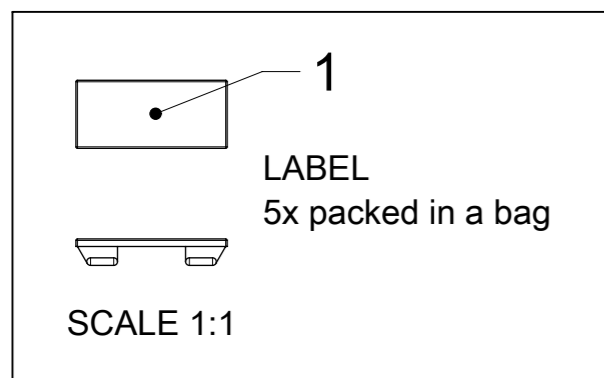
TABLE 2 BILL OF MATERIAL

ITEM	DESCRIPTION	MATERIAL	FINISH
1	LABEL	ABS	WHITE
2	SHELL	BRASS	NICKEL PLATED
3	O-RING	NBR	BLACK
4	O-RING	NBR	BLACK
5	CONTACT	BRASS	GOLD OVER NICKEL
6	CONTACT	BRASS	GOLD OVER NICKEL
7	CONTACT	BRONZE	GOLD OVER NICKEL
8	O-RING	FPM	RED
9	LED	NO LED = PA	BLACK
		WITH LED = PA	TRANSPARENT
10	SHELL	BRASS	NICKEL PLATED
11	HOUSING	PBT	BLACK

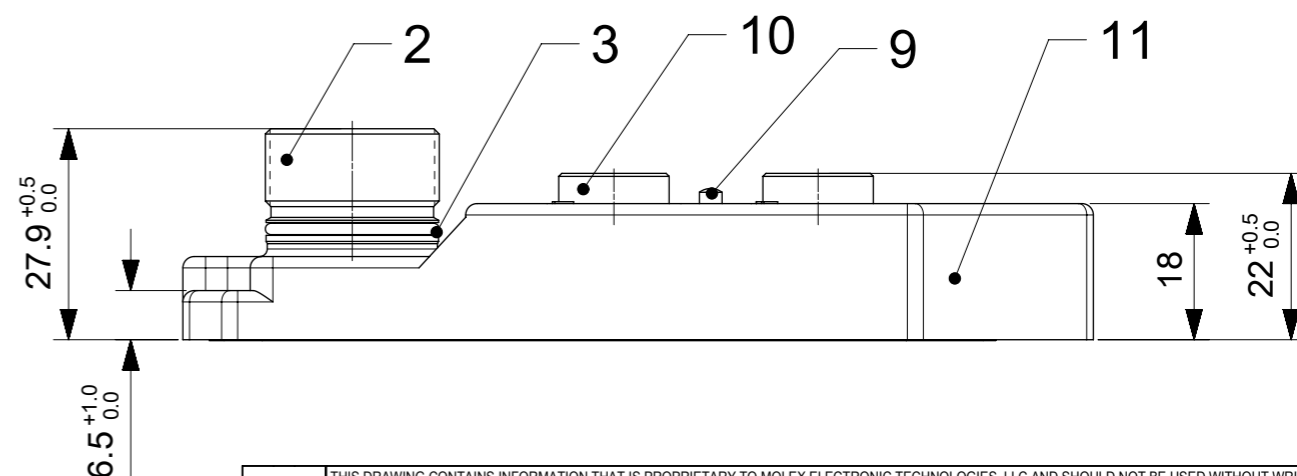
2X FIXING SLOT HOLES
SUITABLE FOR M4
SCREWS



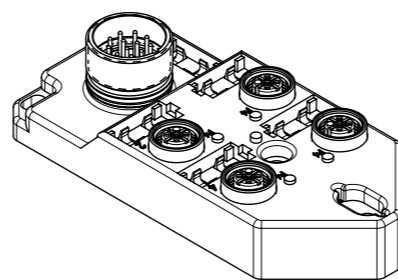
LASER PRINTING:
PN: 120248XXXX
ENG.: BTB401X-FBC
PO: XXXXXXXXX



SCALE
2:1



SCALE
1:2



GENERAL CHARACTERISTICS:

ELECTRICAL AND MECHANICAL DATA ACC. TO IEC 61076-2-101

NOMINAL VOLTAGE: 10-30 V DC
 AMPERE RATING: 4 A PER PORT / 12 A MAX
 AMPERE RATING WITH UL REGISTRATION: 3 A PER PORT / 9 A MAX
 IP DEGREE OF PROTECTION: IP 67
 TEMPERATURE RANGE: -25°C to + 85°C

SYMBOLS		THIS DRAWING CONTAINS INFORMATION THAT IS PROPRIETARY TO MOLEX ELECTRONIC TECHNOLOGIES, LLC AND SHOULD NOT BE USED WITHOUT WRITTEN PERMISSION	
DIMENSION UNITS	SCALE	CURRENT REV DESC: LASER PRINT UPDATE	
▽ = 0	mm	molex MPIS M12 PNP NPN NOS 4P 4PT 12P M23 BK XM STA SINGLE	
▽ = 0	GENERAL TOLERANCES (UNLESS SPECIFIED)		
▽ = 0	ANGULAR TOL ± °	EC NO: 606042	2018/08/30
▽ = 0	4 PLACES ±	DRWN: SSM	2018/10/18
▽ = 0	3 PLACES ±	CHK'D: RSILLER	2018/10/18
▽ = 0	2 PLACES ±	APPR: RSILLER	2018/10/18
▽ = 0	1 PLACE ±	INITIAL REVISION:	
▽ = 0	0 PLACES ± 0.25	DRWN: AAHLERS	2015/04/02
▽ = 0	DRAFT WHERE APPLICABLE MUST REMAIN WITHIN DIMENSIONS	APPR: RSILLER	2015/05/20
THIRD ANGLE PROJECTION	DRAWING	SERIES	MATERIAL NUMBER
	A3-SIZE	120248	SEE TABLE 1
		CUSTOMER	SHEET NUMBER
		GENERAL MARKET	1 OF 2

