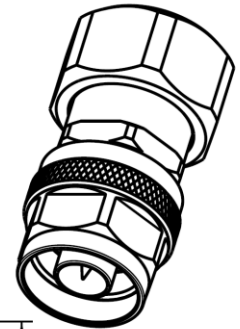
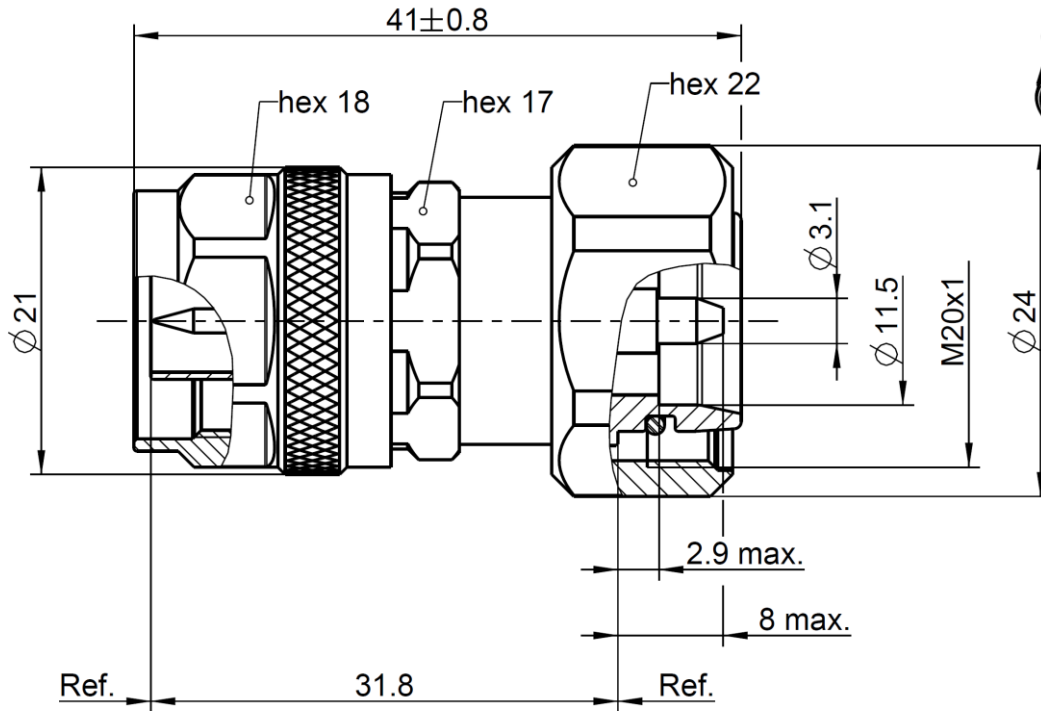


N 50 Ω

Adaptor
N Plug – 4.3-10 Plug

53S164-S00N1



All dimensions are in mm; tolerances according to ISO 2768 m-H

Interface

According to 4.3-10 side: IEC 61169-54
N side: IEC 61169-16, MIL-PRF-39012, CECC 22210

Documents

N/A

Material and plating

Connector parts

Connector parts	4.3-10 side:	N side:	Material	Plating
Center contact			Brass	Silver, 3-6 μm
Center contact			Brass	Silver, 3-6 μm
Outer contact			Brass	Flash white bronze over silver(e.g. Optargen®)
Body			Brass	Flash white bronze over silver(e.g. Optargen®)
Dielectric			PTFE	
Gasket			Silicone	

