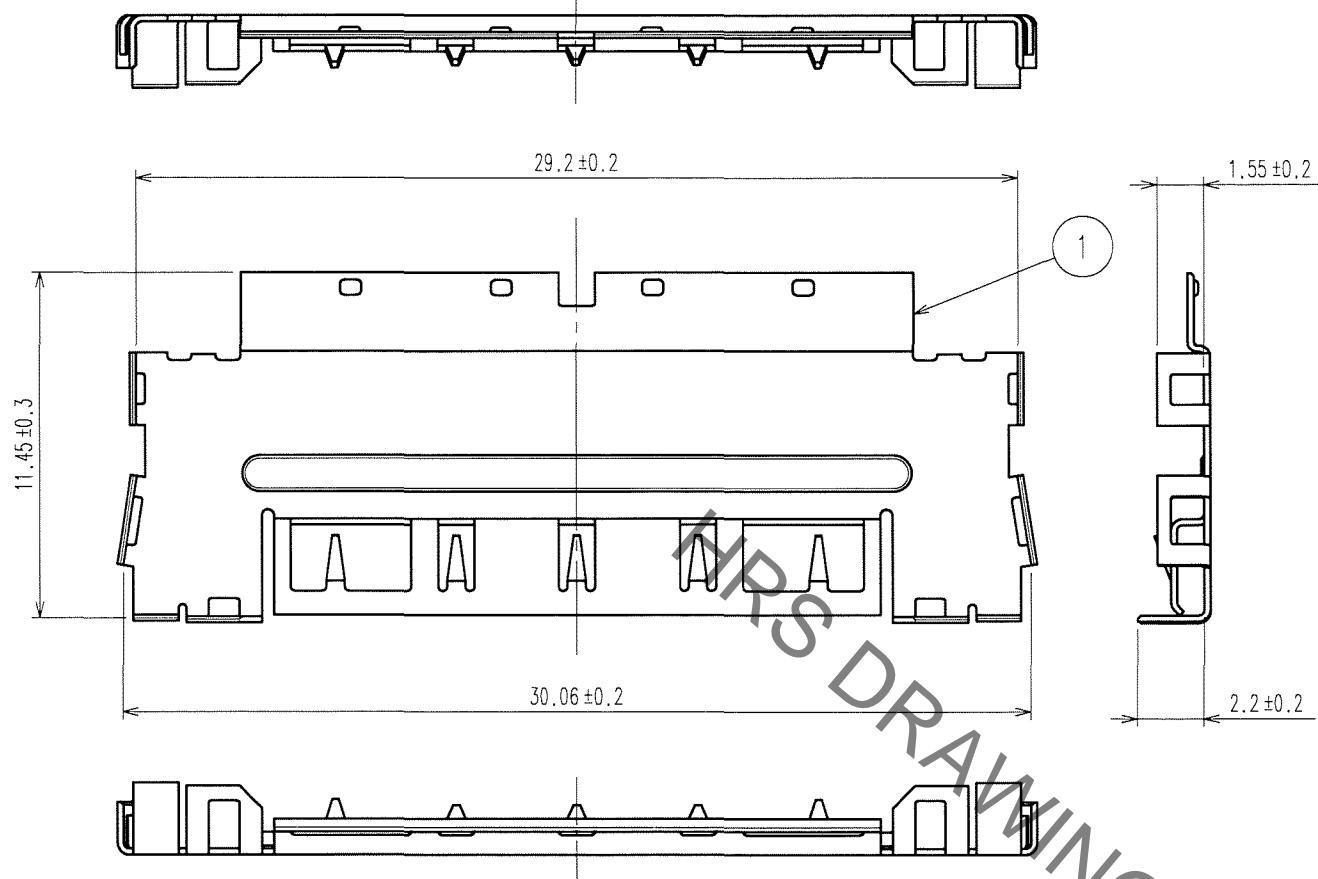
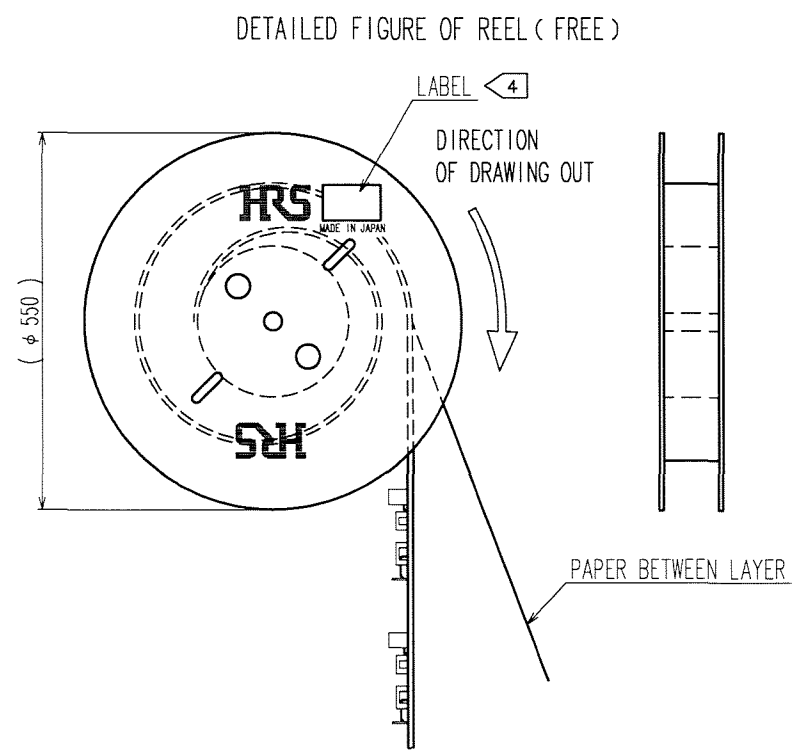
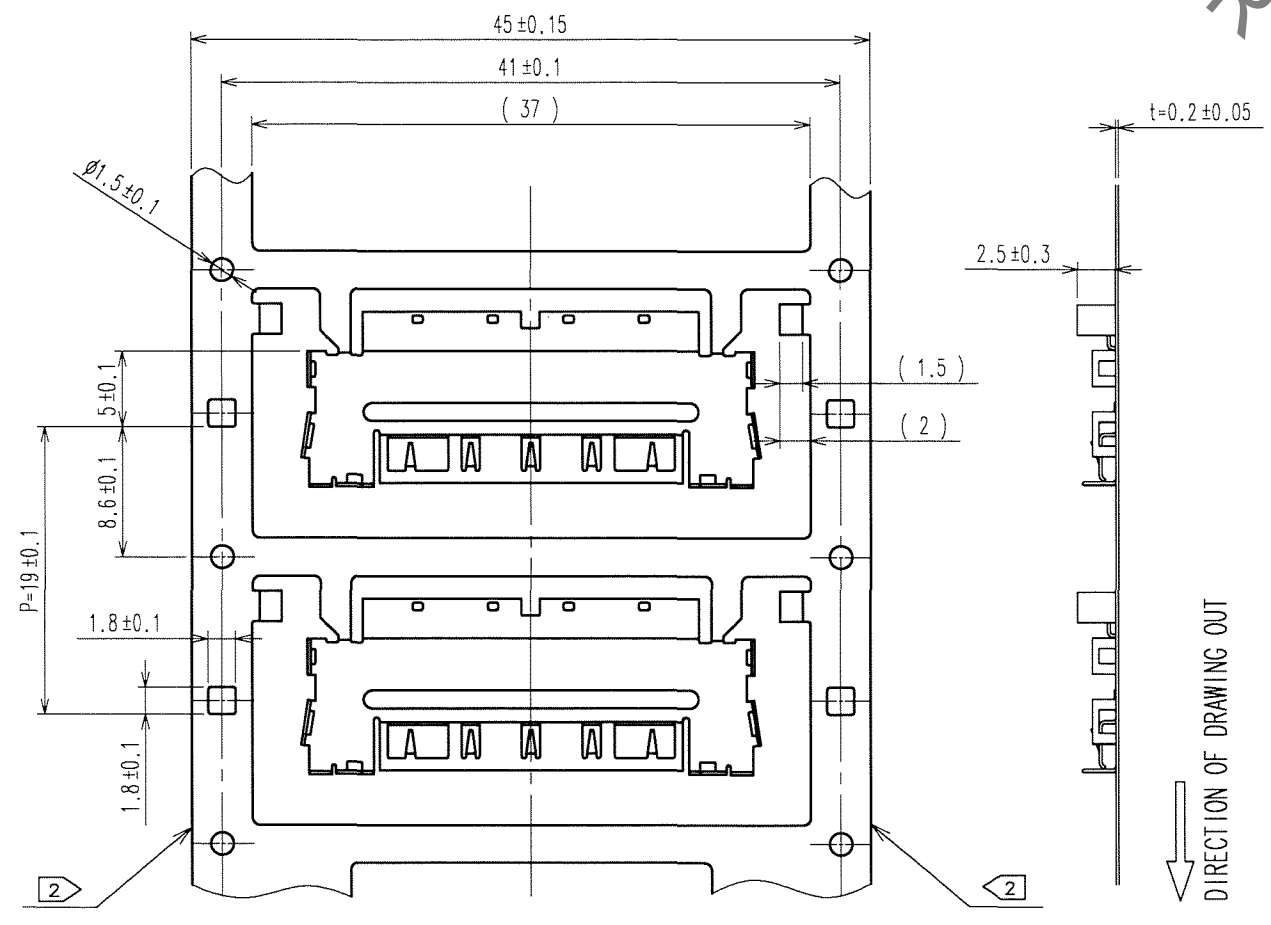


May.1.2023 Copyright 2023 HIROSE ELECTRIC CO., LTD. All Rights Reserved.  
 In case of consideration for using Automotive equipment / device which demand high reliability, kindly contact our sales window correspondents.

COUNT	DESCRIPTION OF REVISIONS	BY	CHKD	DATE	COUNT	DESCRIPTION OF REVISIONS	BY	CHKD	DATE
△					△				
△					△				
△					△				



キャリア詳細図 (2:1)



- NOTE 1. Manufacturing process could leave scratch and/or punch marks having no affect on the product performance.  
 2 Side cut can be provided to prevent carrier curve.  
 3. 2500 pieces per reel  
 4 Label as shown below is indicated.

HRS		INSPECTION
		検査
CODE No.	CL575-2111-6	
品名コード		
PART NO.	FX15S-41P-GND	
品名		
数量	2,500 PCS	
PECULIAR 仕様	NP0.3	
Lot No		
SPLICE 継ぎ目		

5. Dimensions in ( ) are for reference.  
 6. This is a component for separately available product; FX15S-41P-0.5SD. Make sure to use with the specified combination.

NO.	MATERIAL	FINISH, REMARKS	NO.	MATERIAL	FINISH, REMARKS
			1	STAINLESS	NICKEL 0.3μ m min
CODE NO. (OLD) CL		DRAWN K.SHIBUYA 07.05.10	DESIGNED K.Shibuya 07.05.10	CHECKED H.Yamaguchi 07.05.11	APPROVED H.Okawa 07.05.11
DRAWING NO. EDC3-156255		PART NO. FX15S-41P-GND			
SCALE 4 : 1		CODE NO. CL575-2111-6			
UNITS mm		HRS HIROSE ELECTRIC CO., LTD			

TO