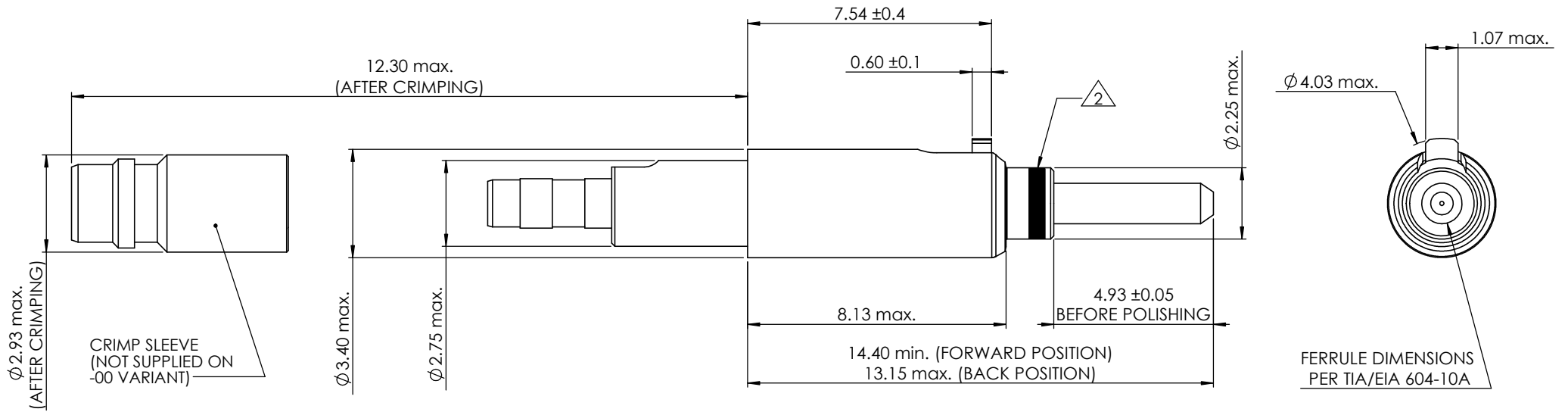
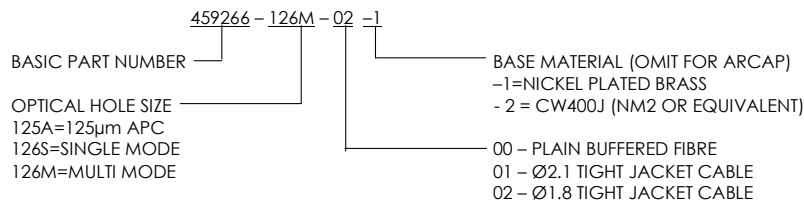


DRAWING NUMBER:
459266-ENV



NOTES:

1. PART NUMBER BREAKDOWN EXAMPLE:



2. COLOUR BAND:
 MULTIMODE - NO COLOUR
 SINGLE MODE PC - BLUE
 SINGLE MODE APC - GREEN

THIS INFORMATION IS CONFIDENTIAL AND PROPRIETARY TO TYCO ELECTRONICS CORPORATION AND ITS WORLDWIDE SUBSIDIARIES AND AFFILIATES (TE). IT MAY NOT BE DISCLOSED TO ANYONE, OTHER THAN TE PERSONNEL, WITHOUT AUTHORIZATION FROM TE (www.te.com).

AB	DUK-68196	LPM	MJH	MJH	NT	12/06/2017
ISSUE	CHANGE NOTE	DRAWN	CHECKED	APP. ENG.	APP. MARKETING	DATE

BS8888 THIRD ANGLE PROJECTION	MATERIAL:	FINISH:	 DEUTSCH TE CONNECTIVITY UK LTD., ST. LEONARDS-ON-SEA, TN38 9RF, UK.		
	UNLESS OTHERWISE STATED: DIMENSIONS: mm [INCHES]				TITLE: TIGHT JACKET CONTACT ASSY. TYPE: CUSTOMER DRAWING
IF IN DOUBT, ASK	SIZE: A3	SCALE: 8:1	DRAWING NUMBER: 459266-ENV	SHEET: 1 OF 1	ISSUE: AB