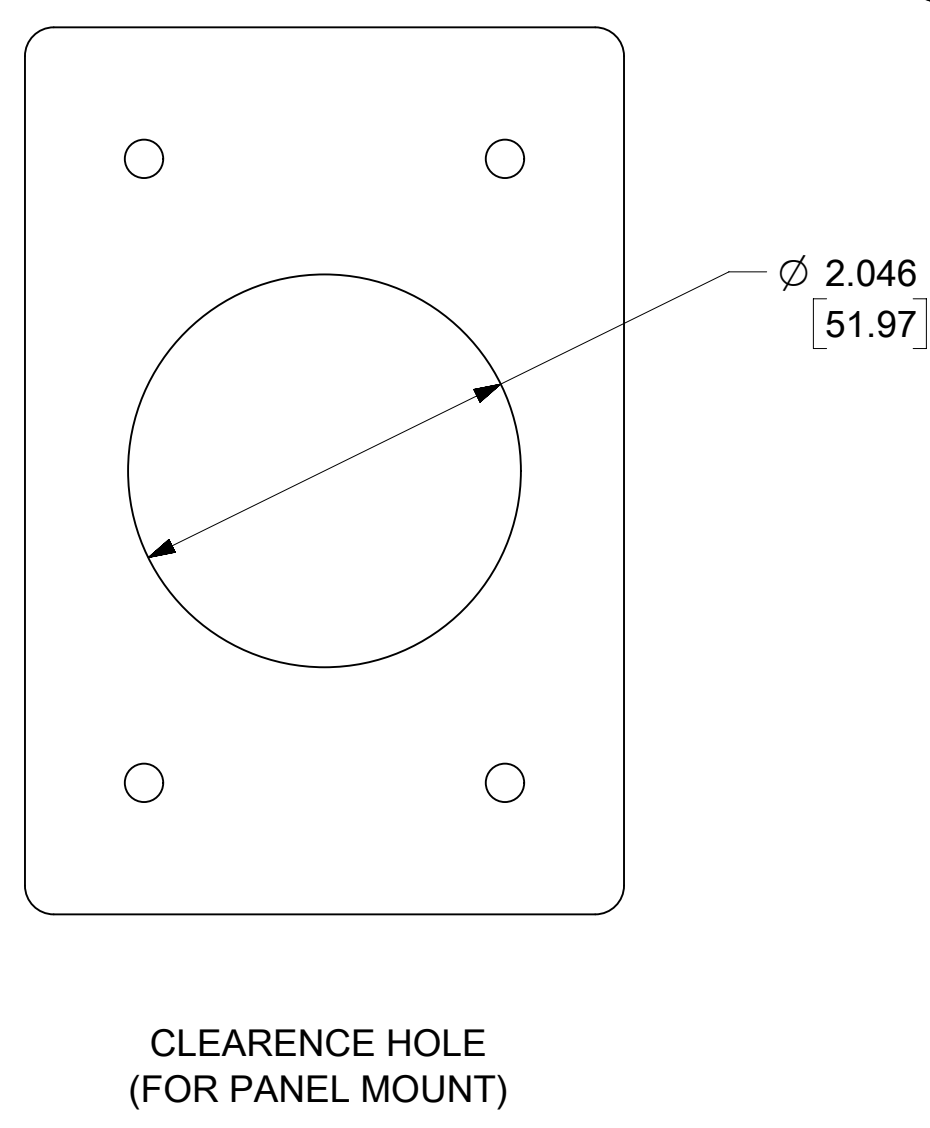
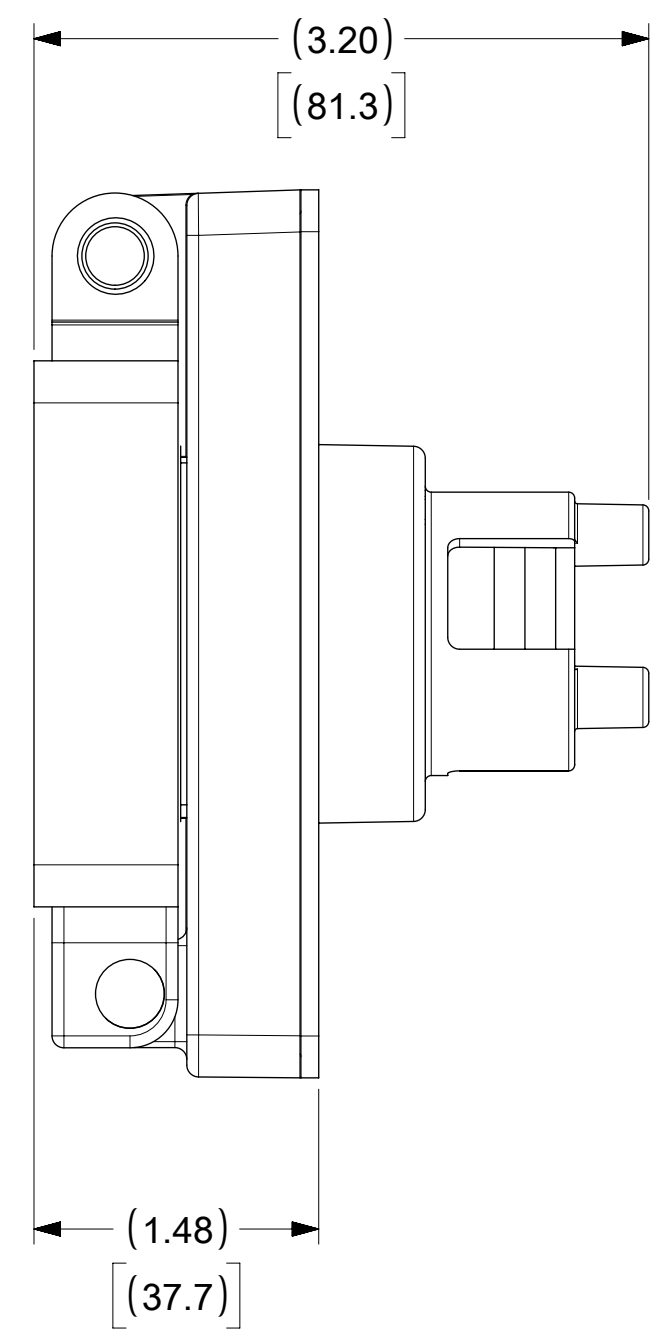
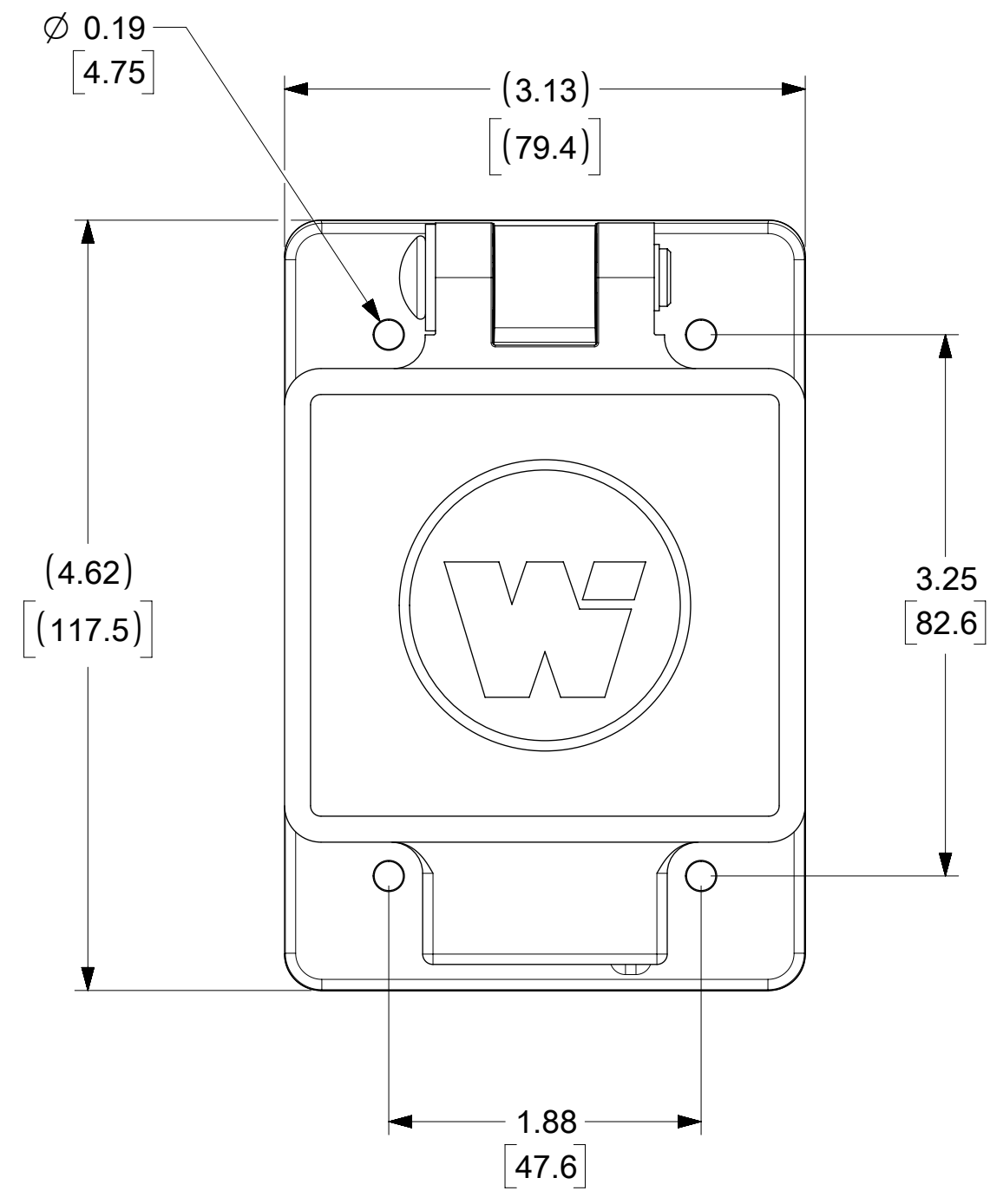
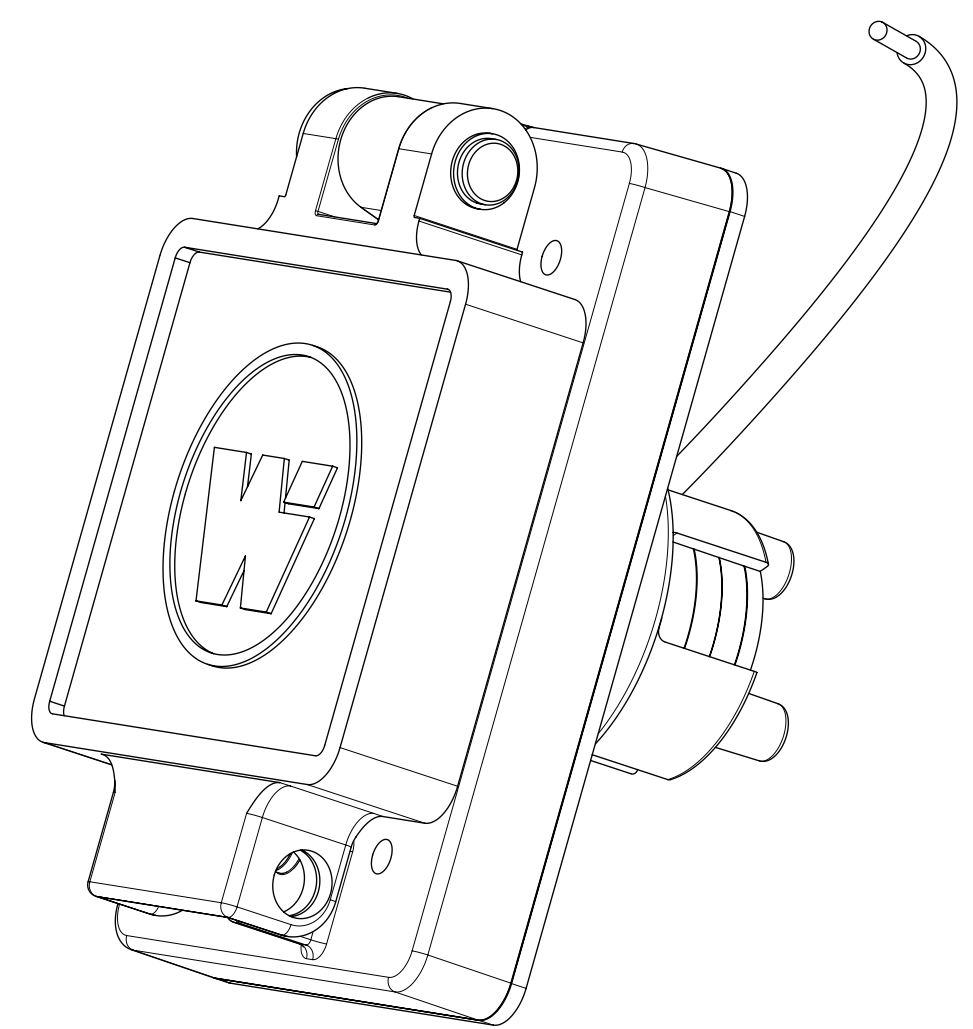
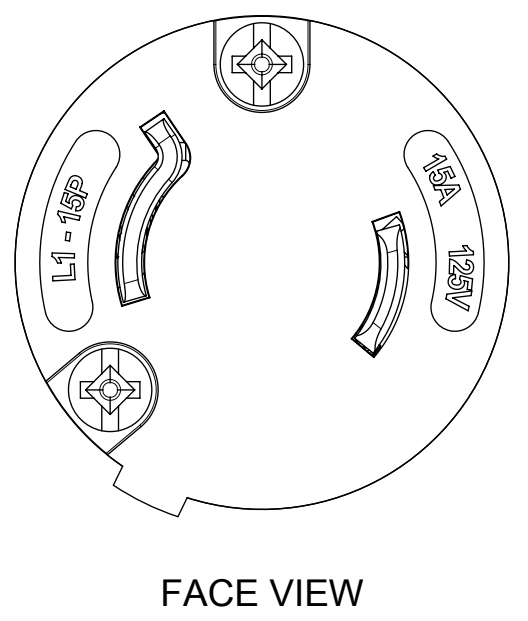


ORDER NO.	WOODHEAD NO.	COLOR
130146-0139	64W04	YELLOW



DESCRIPTION	MATERIAL	QTY.
BLADES	BRASS, NICKEL PLATED	3
RETAINING SCREWS	STAINLESS STEEL	3
CLAMP AND TERMINAL SCREW ASSY.	BRASS, ZINC PLATED	3
MALE INSERT	NYLON	1
TERMINAL COVER	POLYCARBONATE	1
COVER ASSEMBLY	POLYCARBONATE, STAINLESS STEEL, ALUMINUM	1
GASKET FLIP	NEOPRENE	1
MOTOR BASE MTG ASSY	POLYCARBONATE, STAINLESS STEEL, BRASS	1
SCREW (GROUND WIRE)	STAINLESS STEEL	1
JUMPER WIRE ASSY	COPPER, BRASS (TINNED FINISH)	1

THIS DRAWING CONTAINS INFORMATION THAT IS PROPRIETARY TO MOLEX ELECTRONIC TECHNOLOGIES, LLC AND SHOULD NOT BE USED WITHOUT WRITTEN PERMISSION									
SYMBOLS		DIMENSION UNITS		SCALE		CURRENT REV DESC: MIGRATE TO ECTR/NX			
▽ = 0	INCH	MM	NTS			<b>molex</b> WATERTITE MOTOR BASE COVERPLATE 2P2W L1-15			
▽ = 0	GENERAL TOLERANCES (UNLESS SPECIFIED)								
▽ = 0			MM	INCH			EC NO: 613511		
▽ = 0	4 PLACES	±	±			DRWN: SRPATIL 2018/12/18			
▽ = 0	3 PLACES	±	±			CHK'D: DNGUYEN62 2019/03/12			
▽ = 0	2 PLACES	±	±			APPR: HKNEELAND 2019/03/21			
▽ = 0	1 PLACE	±	±			INITIAL REVISION:			
▽ = 0	0 PLACES	±	±			DRWN: SRPATIL 2018/12/18			
▽ = 0	ANGULAR TOL	±	°			APPR: HKNEELAND 2019/03/21			
▽ = 0	DRAFT WHERE APPLICABLE MUST REMAIN WITHIN DIMENSIONS		THIRD ANGLE PROJECTION		DRAWING		SERIES		DOCUMENT NUMBER
▽ = 0			C-SIZE		130146		1301460139		DOC TYPE
								PSD	
								000	
								A	
								MATERIAL NUMBER	
								CUSTOMER	
								GENERAL MARKET	
								SHEET NUMBER	
								1 OF 1	