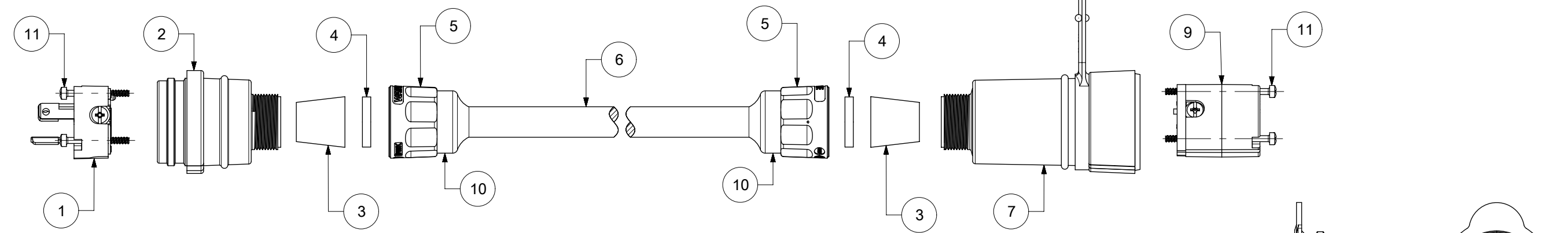
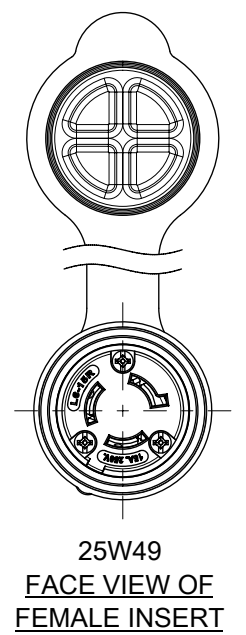
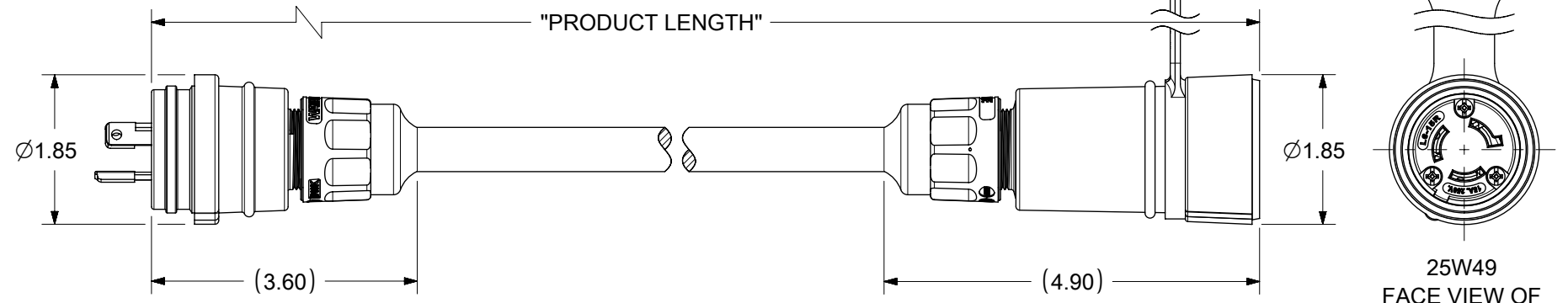


MATERIAL NO.	ENGINEERING NO.	DESCRIPTION	PRODUCT LENGTH
1301430198	24W49A143	24W49 W/25' 14-3 CORD & 25W49	25 FT +12.0/-0.0 IN
1301430199	24W49D143	24W49 W/100' 14-3 CORD & 25W49	100 FT +24.0/-0.0 IN

NEMA L6-15; 15A/250V; 2-POLE/3-WIRE



ITEM NO.	DESCRIPTION	MATERIAL	QTY.
1	MALE INSERT ASSY.	NYLON, POLYCARBONATE, BRASS PLATING - NICKEL OR ZINC	1
2	WATERTITE - MALE HUSK	SILICONE	1
3	GROMMET	RUBBER	2
4	FRICITION RING	NYLON	2
5	COMPRESSION NUT YELLOW	NYLON	2
6	YELLOW SOOW CORD	COPPER WIRE	1
7	WATERTITE - FEMALE HUSK	SILICONE	1
8	CLOSURE CAP YELLOW	SILICONE	1
9	FEMALE INSERT ASSY.	NYLON, POLYCARBONATE, BRASS PLATING - NICKEL OR ZINC	1
10	CABLE GLOVE	SILICONE	2
11	RETAINING SCREW	STAINLESS STEEL	6



SYMBOLS		THIS DRAWING CONTAINS INFORMATION THAT IS PROPRIETARY TO MOLEX ELECTRONIC TECHNOLOGIES, LLC AND SHOULD NOT BE USED WITHOUT WRITTEN PERMISSION	
▽ = 0	INCH	SCALE	CURRENT REV DESC: NEW SALE DRAWING CREATED.
▽ = 0	NTS		
▽ = 0	GENERAL TOLERANCES (UNLESS SPECIFIED)		molex WATERTITE CORDSET PLUG AND CONNECTOR WITH CORD PRODUCT CUSTOMER DRAWING
▽ = 0	ANGULAR TOL ± °		
▽ = 0	4 PLACES	±	
▽ = 0	3 PLACES	±	
▽ = 0	2 PLACES	±	
▽ = 0	1 PLACE	±	INITIAL REVISION:
▽ = 0	0 PLACES	±	DRWN: PPURSUTANDEL 2019/07/05
▽ = 0	DRAFT WHERE APPLICABLE MUST REMAIN WITHIN DIMENSIONS		CHK'D: DNGUYEN62 2019/08/07
	THIRD ANGLE PROJECTION		APPR: HKNEELAND 2020/05/19
	DRAWING		DOCUMENT NUMBER
	SERIES		1301430198
	MATERIAL NUMBER		PSD 000 A
	CUSTOMER		SEE TABLE
	SHEET NUMBER		GENERAL MARKET 1 OF 1