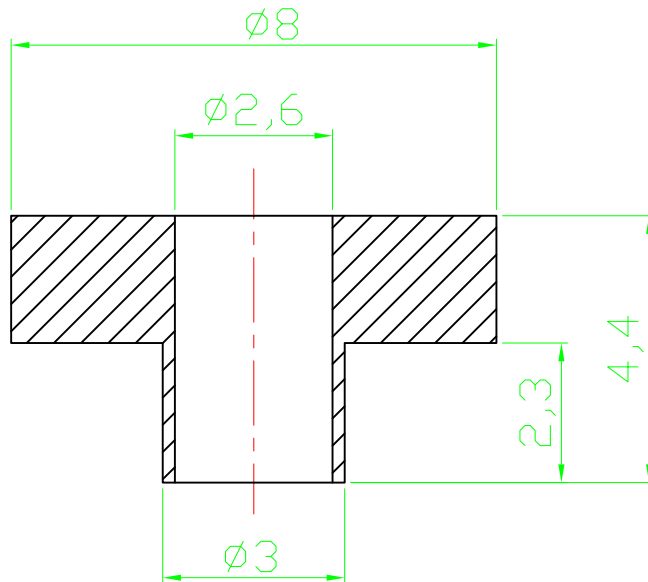



RoHS compliant



Notes
 Material:SR25
 Dielectric strength: 380kV/cm
 Heat resistance:215°C
 Tensile strength: 80N/mm

Scale	1:1					Date	Name	Customer-No.	
TOLERANCE					Drawn	20.08.2009	Dean	ASSMANN WSW-No. V5817	
X.	±X				Approved	10.03.2010	Andy		
X.X	±X								
X.XX	±X								
DIM	TOL	②	Modify drawing layout	10.03.2010	Andy			Drawing-No.	
X.°	±X°							ASS 0489A HS	rev02
X.X°	±X°	①	Drawn	20.08.2009	Dean			Replace	Sheet
Angle	TOL	Id.	Modification	Date	Name				

1

2

3

4

5

6

7