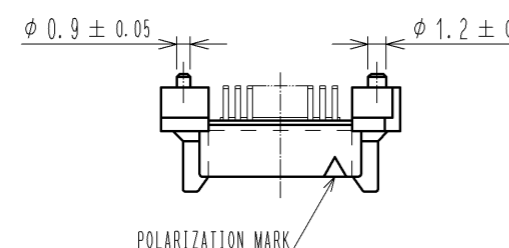
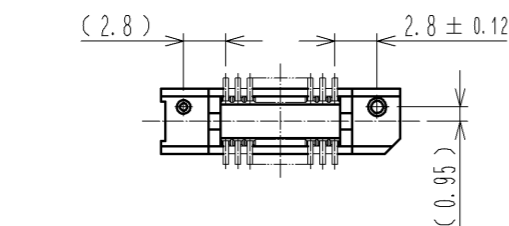
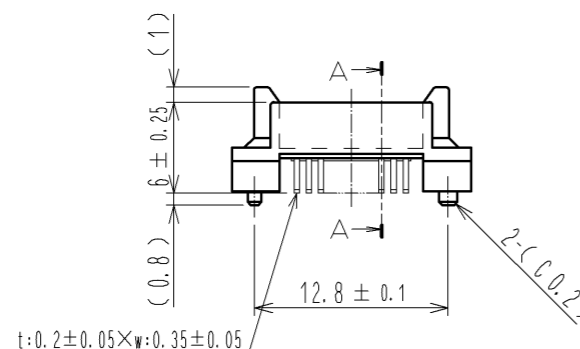
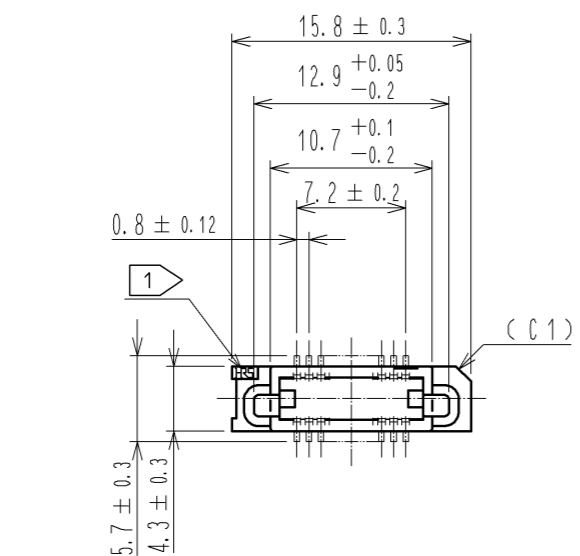
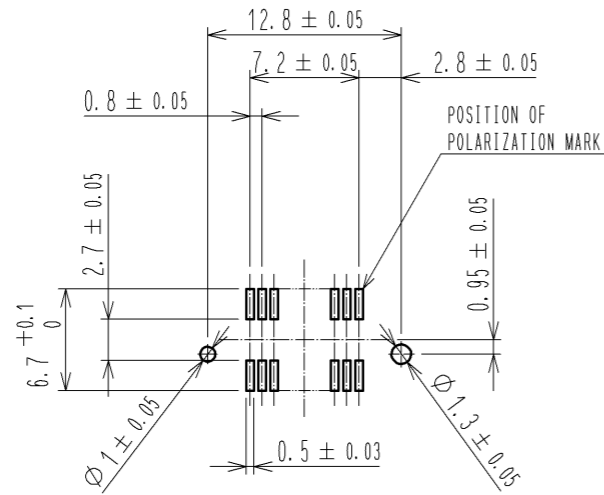


May.1.2023 Copyright 2023 HIROSE ELECTRIC CO., LTD. All Rights Reserved.  
In case of consideration for using Automotive equipment / device which demand high reliability, kindly contact our sales window correspondents.

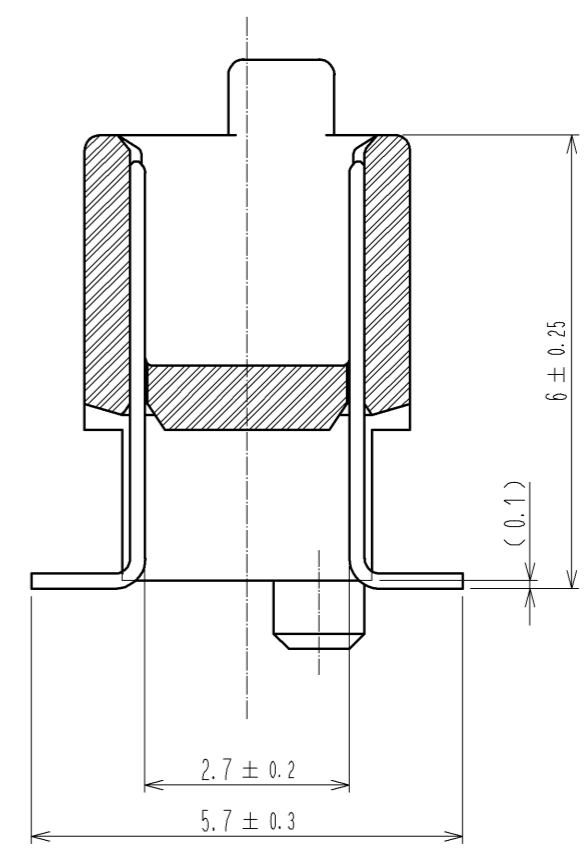


RECOMMENDED LAND PATTERN DIMENSION OF PCB (MOUNTING SIDE)



HRS DRAWING FOR REFERENCE

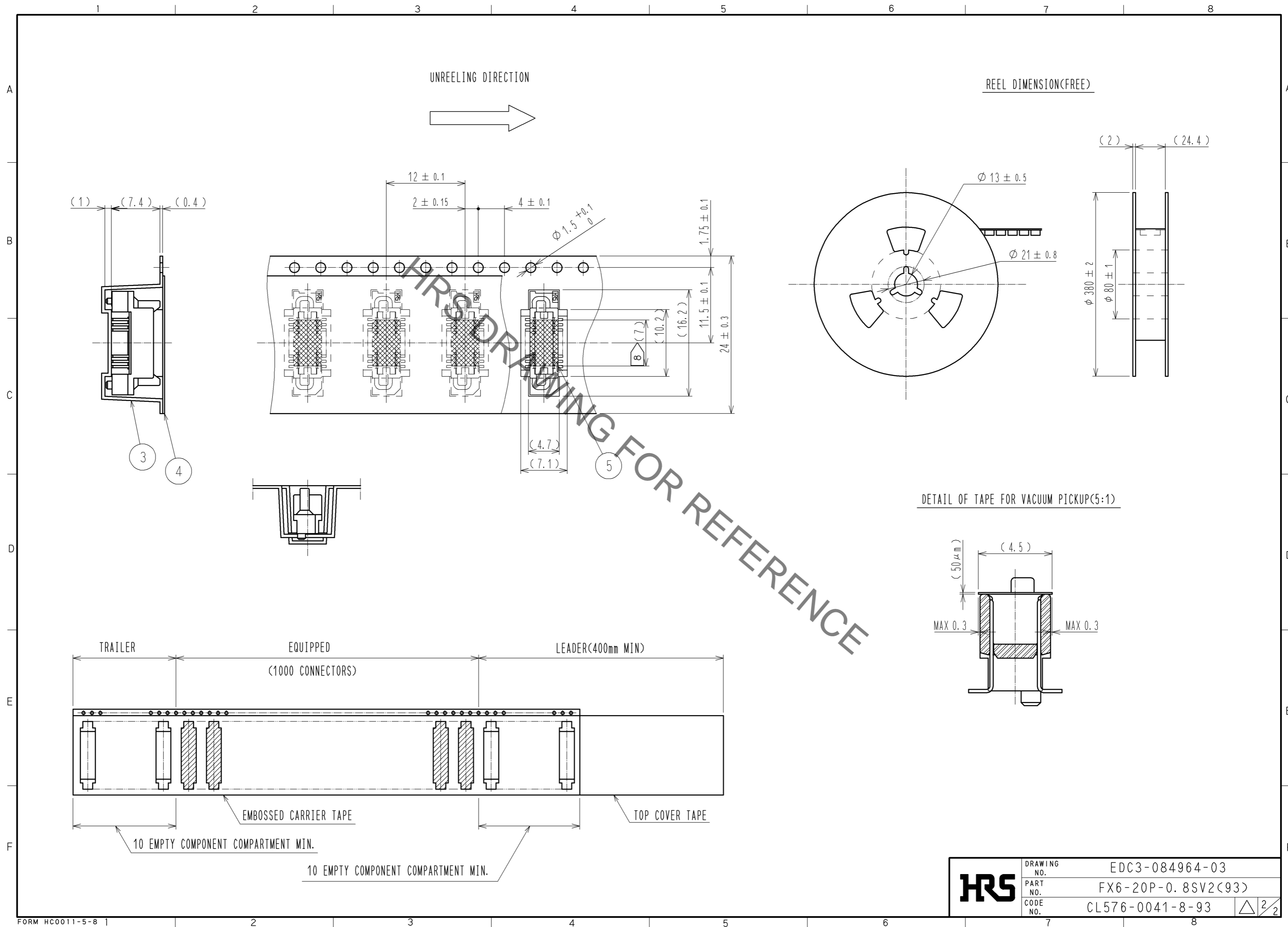
A-A (10:1)



- NOTE
- ① HRS MARK SHALL BE OPTIONAL.
  - ② LEAD CO-PLANARITY SHALL BE 0.1mm MAX.
  - ③ EMBOSSED CARRIER TAPE PACKAGING SHALL BE APPLIED TO THIS PRODUCT. SEE NEXT PAGE FOR DETAILS.
  - ④ THIS PRODUCT HAS TAPE FOR VACUUM PICKUP. SEE NEXT PAGE FOR DETAIL OF STICKING POSITION, ETC.
  - ⑤ FOR MODIFICATION, ETC. PREVENTIVE HOLE FOR SINK MARK MAY BE ADDED ACCORDING TO CIRCUMSTANCES.
  - ⑥ THE DIMENSIONS IN PARENTHESES ARE FOR REFERENCE.
  - ⑦ 1 REEL : 1000 CONNECTORS.
  - ⑧ REMOVE THE VACUUM PICKUP TAPE AFTER MOUNTING THE CONNECTOR.

2	PHOSPHOR BRONZE	CONTACT AREA:GOLD 0.1μm min.	5	POLYIMIDE	(TAPE FOR VACUUM PICKUP)			
		LEAD AREA:TIN-PLATING 1μm min.		4	POLYESTER	(COVER TAPE)		
1	PPS	UNDER PLATING:NICKEL 1μm min.	3	POLYSTYRENE	(EMBOSSED CARRIER TAPE)			
		LIGHT BROWN (UL94V-0)						
NO.	MATERIAL	FINISH . REMARKS	NO.	MATERIAL	FINISH . REMARKS			
UNITS mm		SCALE 2 : 1	COUNT 	DESCRIPTION OF REVISIONS		DESIGNED	CHECKED	DATE
<b>HRS</b> HIROSE ELECTRIC CO., LTD.		APPROVED : HS. OKAWA	13.08.21	DRAWING NO.		EDC3-084964-03		
		CHECKED : HT. YAMAGUCHI	13.08.21	PART NO.		FX6-20P-0.8SV2(93)		
		DESIGNED : TH. SANO	13.08.21	CODE NO.		CL576-0041-8-93		
		DRAWN : TH. SANO	13.08.21			1/2		

May.1.2023 Copyright 2023 HIROSE ELECTRIC CO., LTD. All Rights Reserved.  
 In case of consideration for using Automotive equipment / device which demand high reliability, kindly contact our sales window correspondents.



<b>HRS</b>	DRAWING NO.	EDC3-084964-03
	PART NO.	FX6-20P-0.8SV2(93)
	CODE NO.	CL576-0041-8-93
		△ 2/2