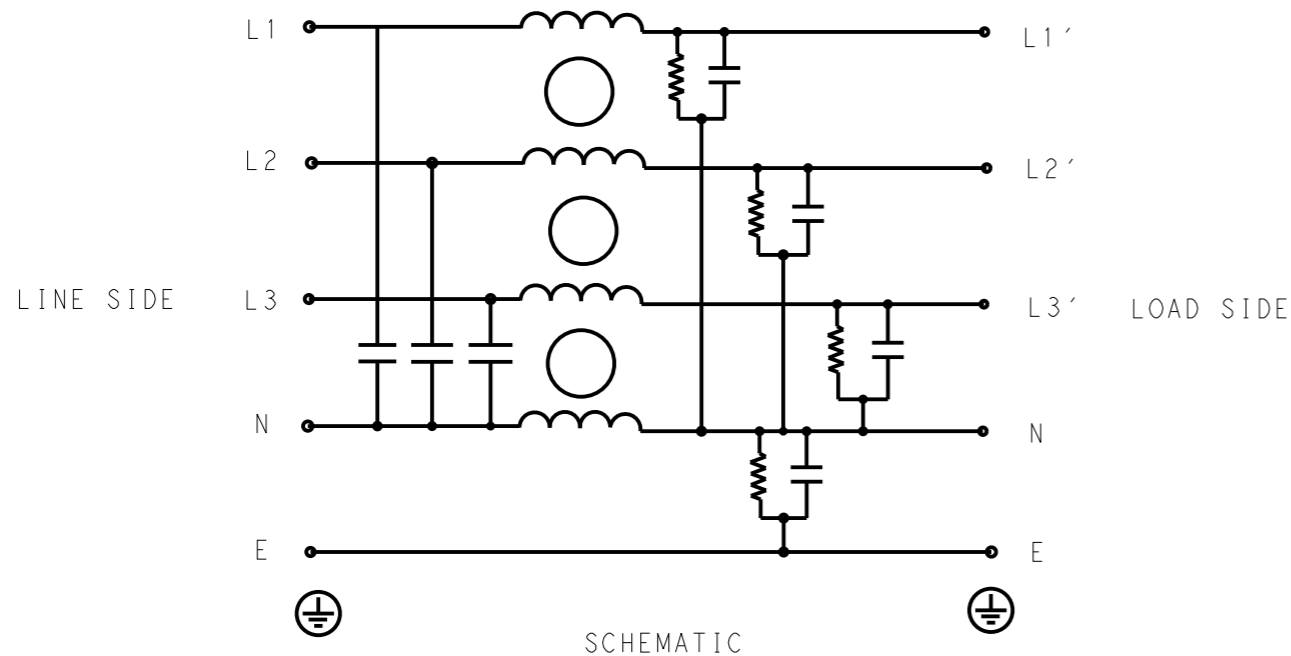


P	LTR	DESCRIPTION	DATE	DWN	APVD
	A	INITIAL RELEASE	19APR2021	BS	CB



SAFETY ORGANIZATIONS

THIS FILTER WILL BE FORMALLY RECOGNIZED, CERTIFIED OR APPROVED BY THE LISTED AGENCY. THEREFORE, ALL TEST/REQUIREMENTS SPECIFIED IN THE LATEST REVISION OF THE FOLLOWING AGENCY STANDARDS WILL BE MET:

UL APPROVED 42A 520V 50Hz/60Hz 40°C
 CSA APPROVED 42A 520V 50Hz/60Hz 40°C

OPERATING SPECIFICATION

LINE CURRENT/VOLTAGE: 42A, 520VAC
 LINE FREQUENCY: 50/60Hz

MAXIMUM LEAKAGE CURRENT: 6mA @ 230VAC, 50Hz

OPERATING AMBIENT TEMPERATURE RANGE @ RATED CURRENT: -25°C TO +40°C

IN AN AMBIENT, T_a, HIGHER THAN 40°C, THE MAXIMUM OPERATING CURRENT, I_o, IS AS FOLLOWS:

$$I_o = I_r \sqrt{\frac{85 - T_a}{45}}$$

RELIABILITY SPECIFICATIONS

STORAGE TEMPERATURE: -40°C TO +85°C
 HUMIDITY: 21 DAYS @ 40°C AND 95% RH

TEST SPECIFICATIONS

INDUCTANCE, NOMINAL: 1.5mH

CAPACITANCE @ 1kHz

NEUTRAL TO GROUND, NOMINAL: 1µF
 LINE TO NEUTRAL, NOMINAL: 2µF

DISCHARGE RESISTOR

L/L I.R. 2MΩ 1W
 L/N I.R. 1.5MΩ 1W
 L/G I.R. 2MΩ 1W
 N/G I.R. 680KΩ 1W
 IR (NO DISCHARGE RESISTOR) 20°C, 50% RH AND 100VDC, MIN: 6MΩ

RECOMMENDED RECEIVING INSPECITON HIPOT

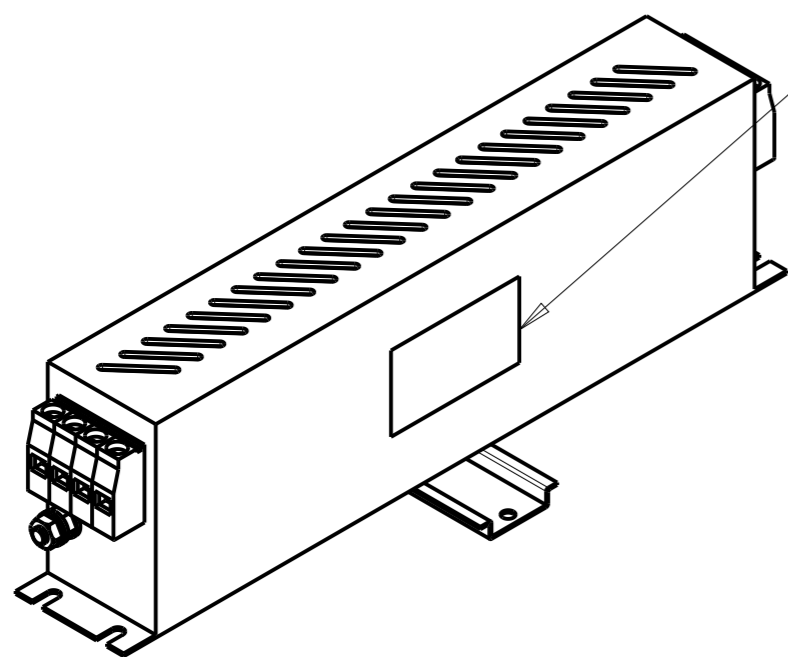
LINE TO GROUND FOR 1 MINUTE: 2856VDC
 LINE TO LINE FOR 1 MINUTE: 2236VDC
 LINE TO NEUTRAL FOR 1 MINUTE: 1290VDC

FILTER APPROVAL

THE BEST WAY TO SELECT AND QUALIFY A FILTER IS FOR YOUR ENGINEERING TO TEST THE UNIT IN YOUR EQUIPMENT.

TYPICAL INSERTION LOSS
 COMMON MODE 50/50Ω; DIFFERENTIAL MODE 50/50Ω

MHz	0.01	0.05	0.15	0.5	1	3	5	10	30
CM	35	42	55	54	52	48	34	24	10
DM	32	40	50	65	62	68	62	40	18



LABEL TO TE MARKING SPECIFICATION

THIS DRAWING IS A CONTROLLED DOCUMENT.		DWN 19APR2021 BAPAT SAHAS		
DIMENSIONS: mm		CHK 19APR2021 CHRIS BOLLE		
TOLERANCES UNLESS OTHERWISE SPECIFIED:		APVD 19APR2021 CHRIS BOLLE	NAME POWER LINE FILTER FOR DIN 35 RAIL INSTALLATION 42KEPS10BBSWHM	
0 PLC ±-		PRODUCT SPEC	SIZE	
1 PLC ±0.5		APPLICATION SPEC	CAGE CODE	
2 PLC ±0.40			DRAWING NO	
3 PLC ±0.130			RESTRICTED TO	
4 PLC ±0.0500			A300779	
ANGLES ±-		WEIGHT	C-8-1609969-8	
MATERIAL			SCALE 2:5	
FINISH			SHEET 1 OF 2	
			REV A	
			CUSTOMER DRAWING	

© 2021 TE Connectivity. All Rights Reserved.

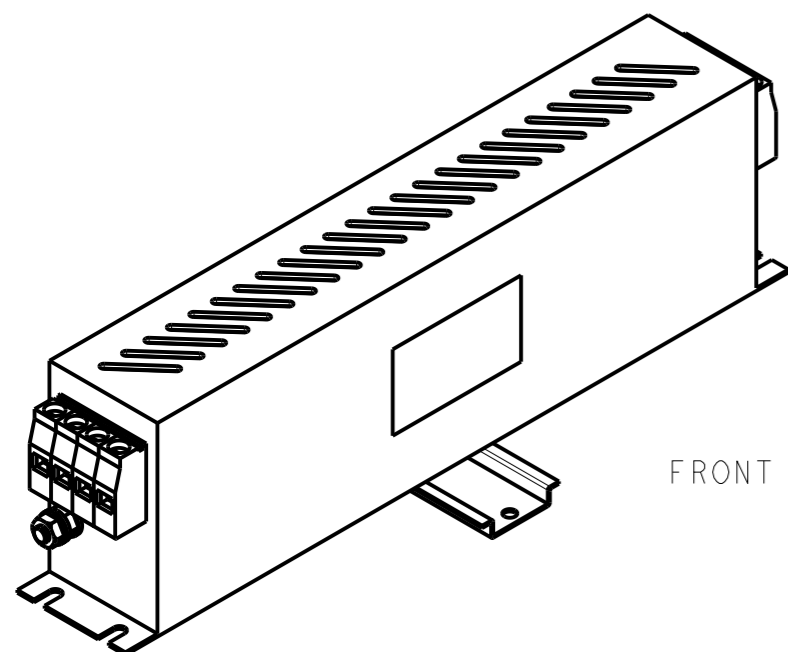
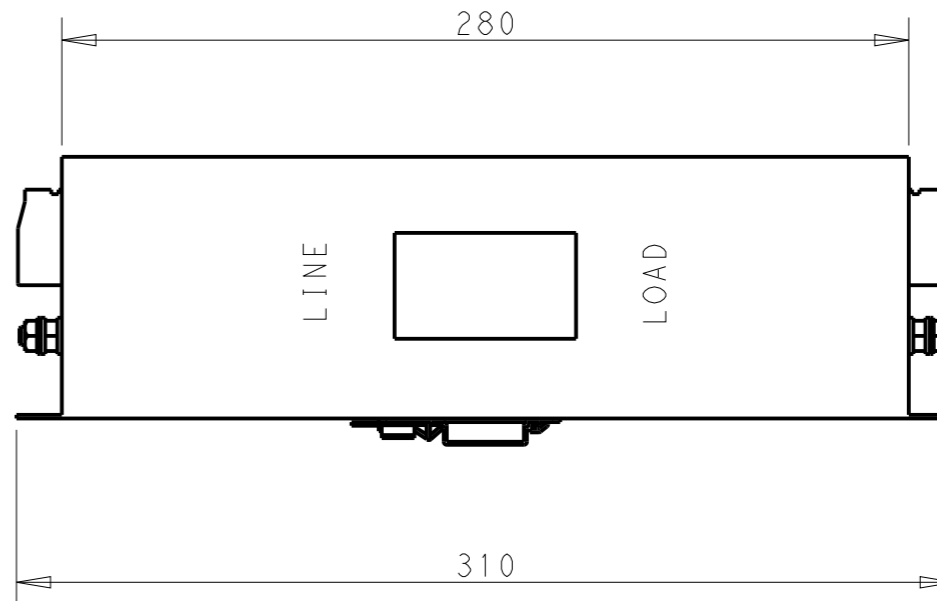
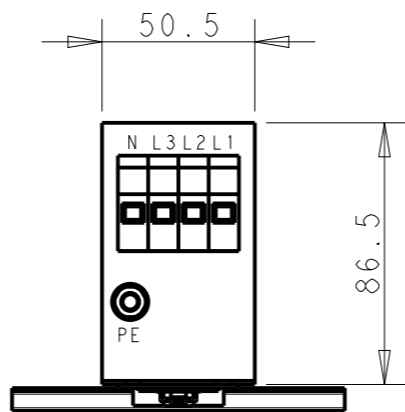
NOTE 1 GROUND CONNECTION:
 FOR ELECTRICAL SAFETY AND FILTER PERFORMANCE
 UNIT MUST HAVE A GOOD GROUND CONNECTION.
 TORQUE OUTER TERMINAL SCREW: 1.2Nm / 10.8 in.lbs
 TORQUE GROUND NUTS: 2.5-3Nm

NOTE 2 INPUT OUTPUT CONNECTION TERMINAL
 AWG SIZE: 26-8 AWG
 WIRE SECTION: 10 mm²
 THREADED BOLT SIZE FOR GROUND: M6

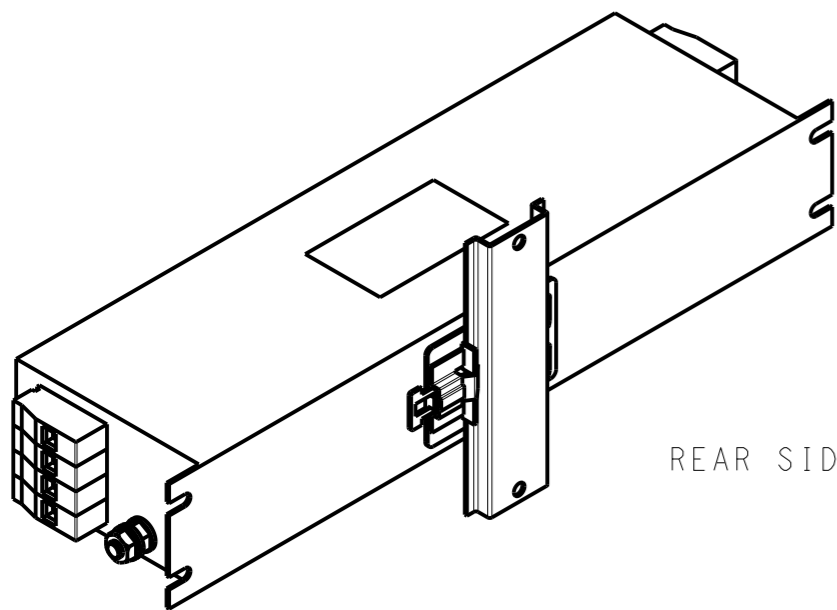
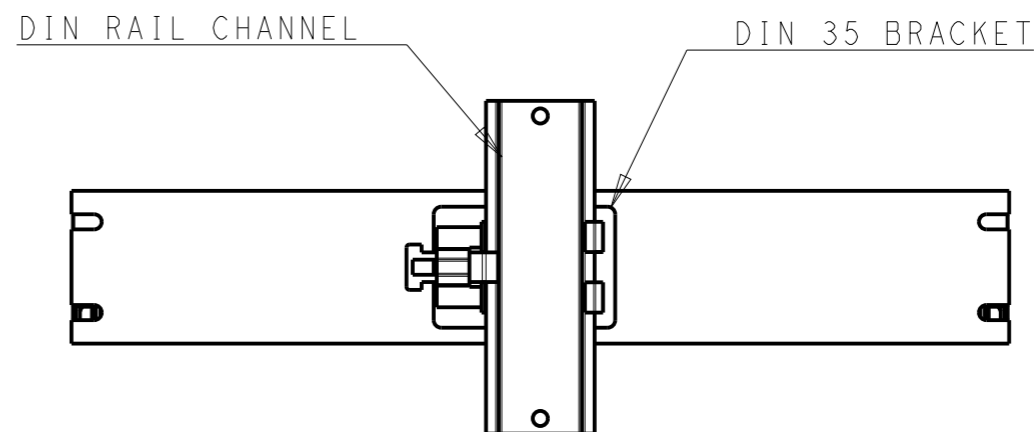
NOTE 3 SUPPLIED WITH DIN RAIL BRACKET

NOTE 4 DRAWINGS SHOWS DIN RAIL FOR REFERENCE ONLY

REVISIONS					
P	LTR	DESCRIPTION	DATE	DWN	APVD
		SEE SHEET 1			



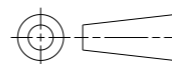
FRONT SIDE



REAR SIDE

THIS DRAWING IS A CONTROLLED DOCUMENT.

DIMENSIONS:
mm



TOLERANCES UNLESS OTHERWISE SPECIFIED:

0 PLC	±0.5
1 PLC	±0.40
2 PLC	±0.130
3 PLC	±0.0500
4 PLC	±
ANGLES	±

MATERIAL

FINISH

DWN 19APR2021

BAPAT SAHAS

CHK 19APR2021

CHRIS BOLLE

APVD 19APR2021

CHRIS BOLLE

PRODUCT SPEC

-

APPLICATION SPEC

-

WEIGHT

-

CUSTOMER DRAWING



NAME
 POWER LINE FILTER FOR
 DIN 35 RAIL INSTALLATION
 42KEPS10BBSWH

SIZE	CAGE CODE	DRAWING NO	RESTRICTED TO
------	-----------	------------	---------------

A3	00779	C-8-1609969-8	-
----	-------	---------------	---

SCALE	2:5	SHEET	2 OF 2	REV	A
-------	-----	-------	--------	-----	---