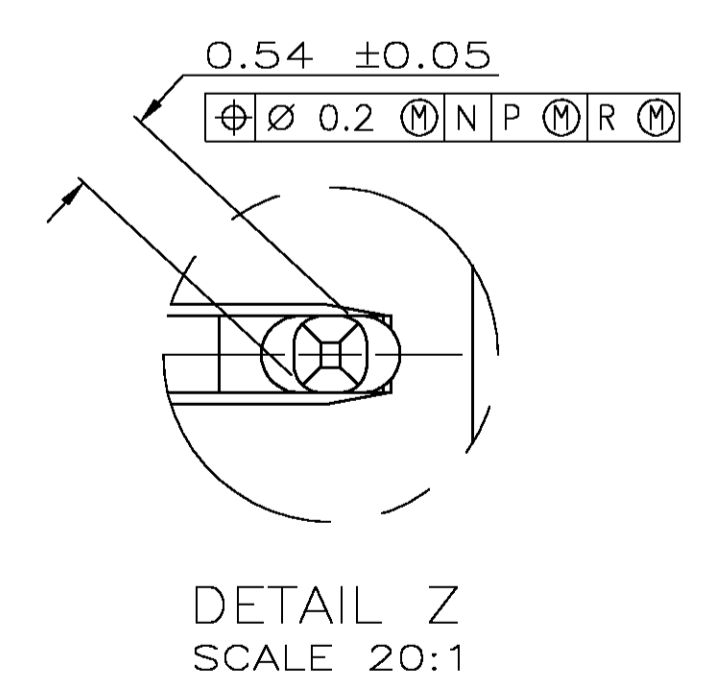


RECOMMENDED CIRCUIT PATTERN  
 PER IPC-D300 TYPE II, CLASS C  
 (COMPONENT SIDE)

- 1 HOUSING MATERIAL: LIQUID CRYSTAL POLYMER, COLOR: NATURAL.
- 2 CONTACT MATERIAL: PHOSPHOR BRONZE
- 3 CONTACT FINISH:(D)  
 UNDERPLATE (ENTIRE CONTACT):  
 0.00127 MIN NICKEL PER SAE-AMS-QQ-N-290  
 ON MATING SURFACES:  
 FLASH GOLD PER ASTM B 488, OVER  
 0.00076 MIN PALLADIUM-NICKEL OVER UNDERPLATE, OR  
 0.00076 MIN GOLD PER ASTM B 488 OVER UNDERPLATE.  
 ON LEADS:  
 0.00127 MIN MATTE TIN PER ASTM B 545 OVER UNDERPLATE.  
 LUBRICATION (MIN MATING SURFACES):  
 SURFACE CONDITIONER AFTER PLATING.
- 4 PART MARKING LOCATED APPROXIMATELY AS SHOWN.

| ROW            | D | AA | AC |
|----------------|---|----|----|
| C              |   | AA | AC |
| B              |   | AB | AC |
| A              |   | AA | AC |
| 1 2 3 4 5 6    |   |    |    |
| POWER POSITION |   |    |    |

| CODE LETTER | MATING POST LENGTH ±0.1 | LEAD LENGTH (REF) |
|-------------|-------------------------|-------------------|
| AA          | 6.5                     | 4.25              |
| AB          | 7.25                    | 4.25              |
| AC          | 8                       | 4.25              |



|  |        |  |       |                             |  |  |             |
|--|--------|--|-------|-----------------------------|--|--|-------------|
| 6                                      | 1      | 10                                     | 5     | 11.88                       | 3  | 8  | 5536632-1   |
| E                                      | D      | C                                      | B     | A                           | FINISH   | NO OF POWER POSN                                       | PART NUMBER |
| THIS DRAWING IS A CONTROLLED DOCUMENT. |        |  |       |                             |  |  |             |
| DIMENSIONS: mm [INCHES]                |        | TOLERANCES UNLESS OTHERWISE SPECIFIED: |       | DIN R BUCHHEISTER 18/JUN/98 |  | Tyco Electronics Corporation Harrisburg, Pa 17105-3608 |             |
| 0 PLC                                  | ±      | -                                      |       | DR BAECHTLE 18/JUN/98       | Tyco Electronics   |  |             |
| 1 PLC                                  | ±      | -                                      |       | DR BAECHTLE 18/JUN/98       | ASSEMBLY, PIN, POWER, VERTICAL, Z-PACK 2mm FB, 4 ROW, PRESS FIT LEADS, SEQUENCED |  |             |
| 2 PLC                                  | ±      | 0.13[.005]                             |       | APPLICATION SPEC            | RESTRICTED TO  |  |             |
| 3 PLC                                  | ±      | -                                      |       | SIZE                        | CAGE CODE  | DRAWING NO   |             |
| 4 PLC                                  | ±      | -                                      |       | WEIGHT                      | A1   | 00779  | 5536632     |
| ANGLES                                 | ±      | -                                      |       | CUSTOMER DRAWING            |  |  |             |
| MATERIAL                               | FINISH |  | SCALE |                             | SHEET  |  | REV         |
| 1 2                                    | 3      |  | 4:1   |                             | 1 OF 1   |  | 0           |