

6

5

4

3

2

1

E

E

D

D

C

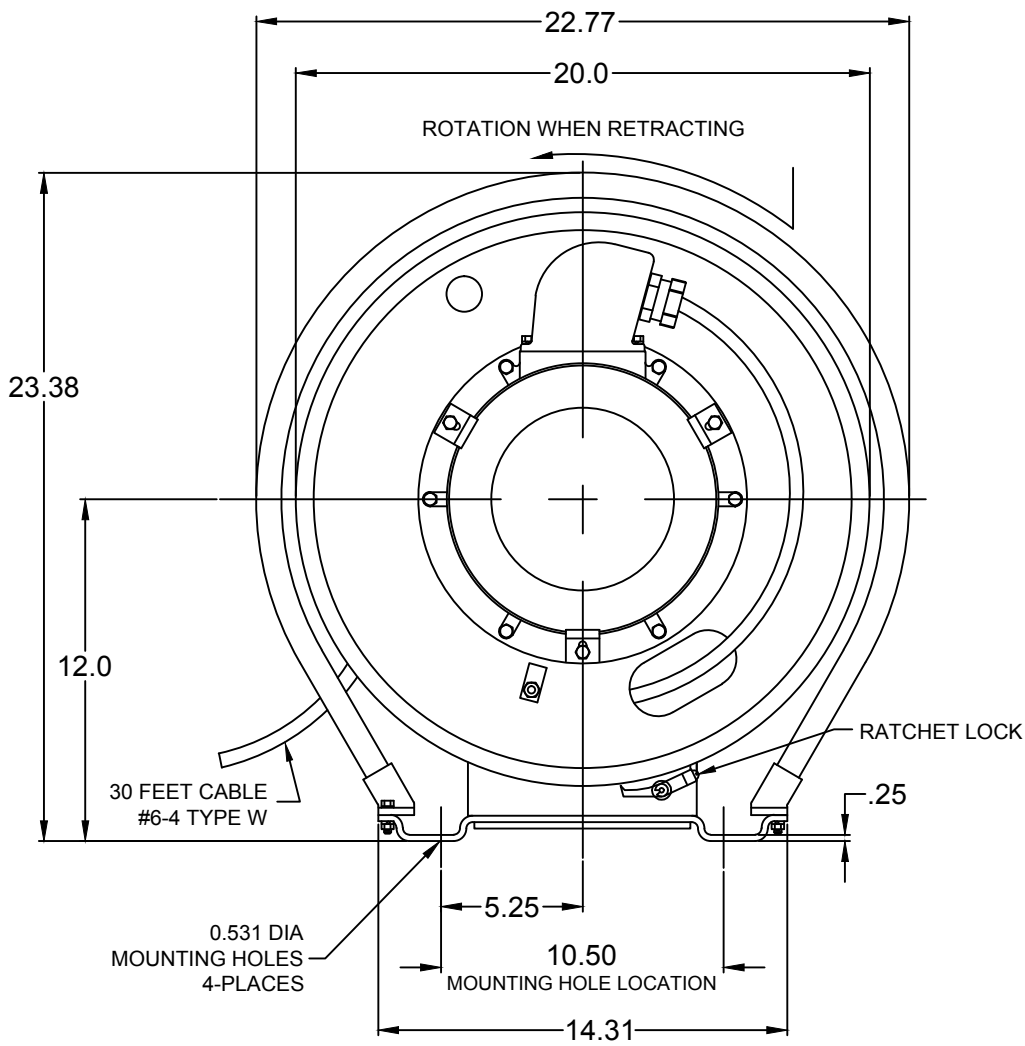
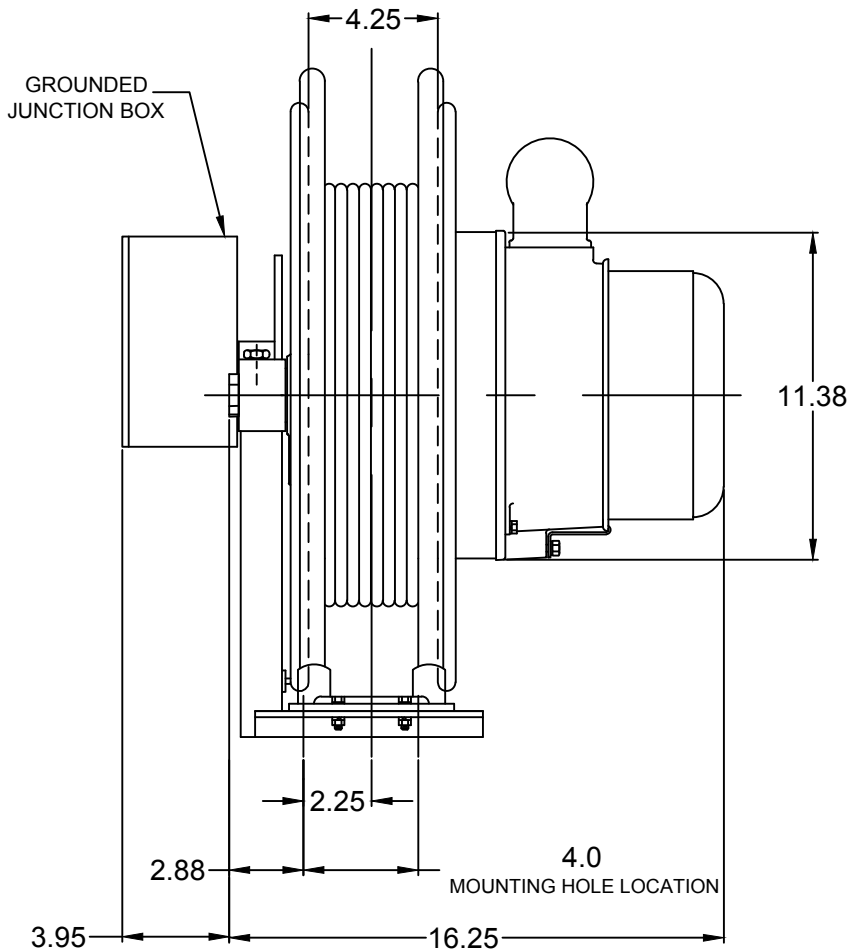
C

B

B

A

A



- NOTES:
 - ALL DIMENSIONS ARE REFERENCE.
 - 600V RATED 44 AMP.
 - ENGINEERING# 114216404GV0413

RELEASE DRAWING EC NO: IPC2017-1057 DRWN: BPATTERS 2017/06/22 CHKD: ---- APPR: HKNEELAN 2018/03/09	DESCRIPTION A	QUALITY SYMBOLS	GENERAL TOLERANCES (UNLESS SPECIFIED)		DIMENSION STYLE		SCALE	DESIGN UNITS	THIRD ANGLE PROJECTION		
		$\nabla = 0$ $\sphericalangle = 0$	mm	INCH	INCH		NTS	INCH			
		4 PLACES	±---	±---	DRAWN BY	DATE	TITLE				
		3 PLACES	±---	±---	BPATTERS	2017/06/22	114216404G6L CABLE REEL 30' OF #6-4 TYPE W CABLE WITH RATCHET LOCK				
2 PLACES	±---	±---	CHECKED BY	DATE	MATERIAL NO.						
1 PLACE	±---	±---	----	----	1300851143						
ANGULAR ± 5°			DRAFT WHERE APPLICABLE MUST REMAIN WITHIN DIMENSIONS		APPROVED BY		DATE	DOCUMENT NO.			
					HKNEELAN		2018/03/09	SD-130085-1143			
					SIZE		SHEET NO.				
					A		1 OF 1				
THIS DRAWING CONTAINS INFORMATION THAT IS PROPRIETARY TO MOLEX INCORPORATED AND SHOULD NOT BE USED WITHOUT WRITTEN PERMISSION											