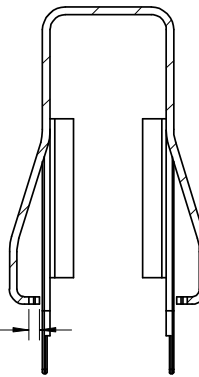
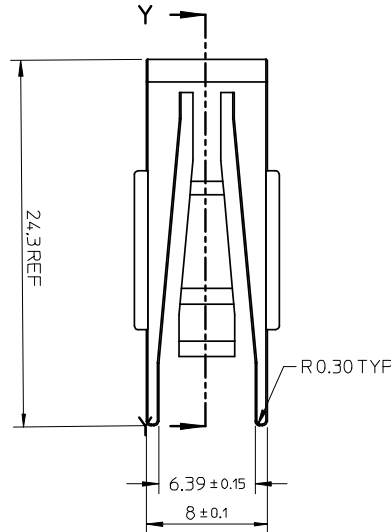
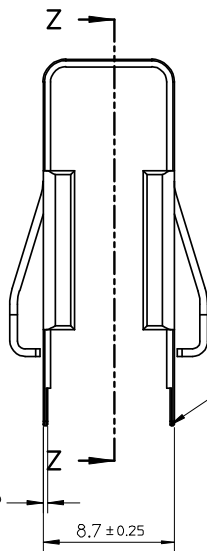
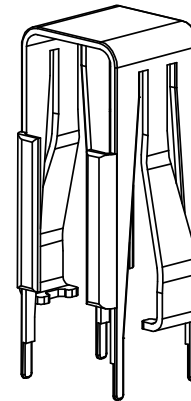


SECTION Z-Z



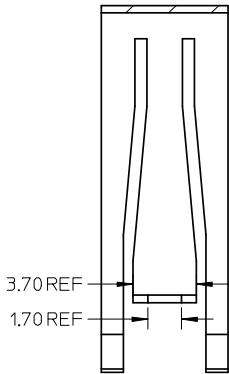
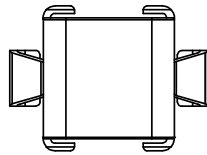
SECTION Y-Y



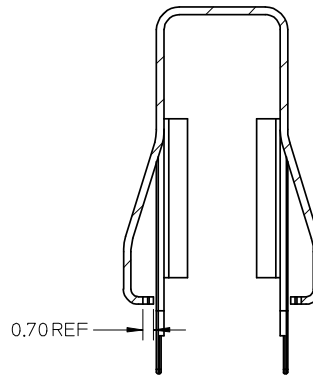
NOTE:

- 1.MATERIAL: 0.5MM STAINLESS STEEL SUS301H.
- 2.FINISH: NON-PLATING.
- 3.COMPLIANT TO RoHS DIRECTIVE 200/95/EC AND ELV 2000/53/EC

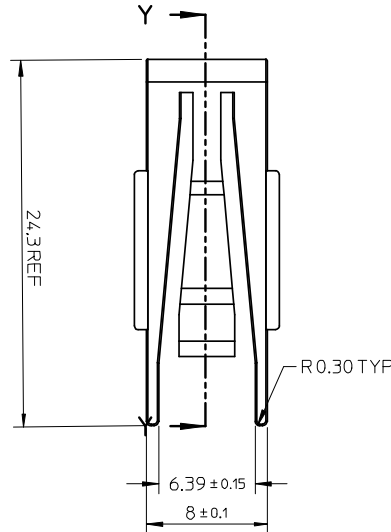
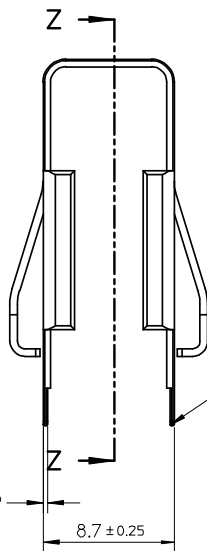
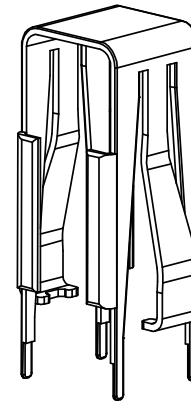
NEW RELEASE EC NO: SHZ008-04Z1 DRW:MSH CHKD:YLZHU APPR:HWANG	2008/02/22 2008/02/26 2008/03/20	DESCRIPTION REV	QUALITY SYMBOLS	GENERAL TOLERANCES (UNLESS SPECIFIED)	DIMENSION STYLE	SCALE	DESIGN UNITS	THIRD ANGLE PROJECTION
	$\blacktriangledown = 0$ $\triangle = 0$		mm INCH	MM ONLY	8:1	METRIC		
	4 PLACES ± --- ± --- 3 PLACES ± --- ± --- 2 PLACES ± 0.25 ± --- 1 PLACE ± 0.25 ± ---		DRAWN BY: IHE CHECKED BY: YLZHU APPROVED BY: HWANG	DATE: 2006/08/28 DATE: 2007/10/31 DATE: 2007/10/31	TITLE			
	ANGULAR ± 3 ° DRAFT WHERE APPLICABLE MUST REMAIN WITHIN DIMENSIONS		MATERIAL NO. 472490007	MOLEX INCORPORATED DOCUMENT NO. SD-47249-007	EXTRACTOR FOR 8X8 CAMERA SOCKET SHEET NO. 1 OF 1			



SECTION Z-Z



SECTION Y-Y



NOTE:

- 1.MATERIAL: 0.5MM STAINLESS STEEL SUS301H.
- 2.FINISH: NON-PLATING.
- 3.COMPLIANT TO RoHS DIRECTIVE 200/95/EC AND ELV 2000/53/EC

NEW RELEASE EC NO: SHZ008-04Z1 DRW:MSH CHKD:YLZHU APPR:HWANG	2008/02/22 2008/02/26 2008/03/20	DESCRIPTION REV	QUALITY SYMBOLS	GENERAL TOLERANCES (UNLESS SPECIFIED)	DIMENSION STYLE	SCALE	DESIGN UNITS	THIRD ANGLE PROJECTION
	$\blacktriangledown = 0$ $\triangle = 0$		mm INCH 4 PLACES ± --- ± --- 3 PLACES ± --- ± --- 2 PLACES ± 0.25 ± --- 1 PLACE ± 0.25 ± --- ANGULAR ± 3 °	MM ONLY	8:1	METRIC		
			DRAFT WHERE APPLICABLE MUST REMAIN WITHIN DIMENSIONS	DRAWN BY: IHE DATE: 2006/08/28 CHECKED BY: YLZHU DATE: 2007/10/31 APPROVED BY: HWANG DATE: 2007/10/31	TITLE EXTRACTOR FOR 8X8 CAMERA SOCKET			
			MATERIAL NO. 472490007	MOLEX INCORPORATED		DOCUMENT NO. SD-47249-007	SHEET NO. 1 OF 1	