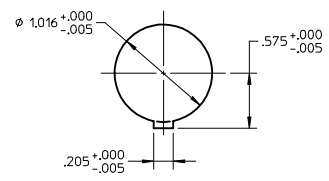
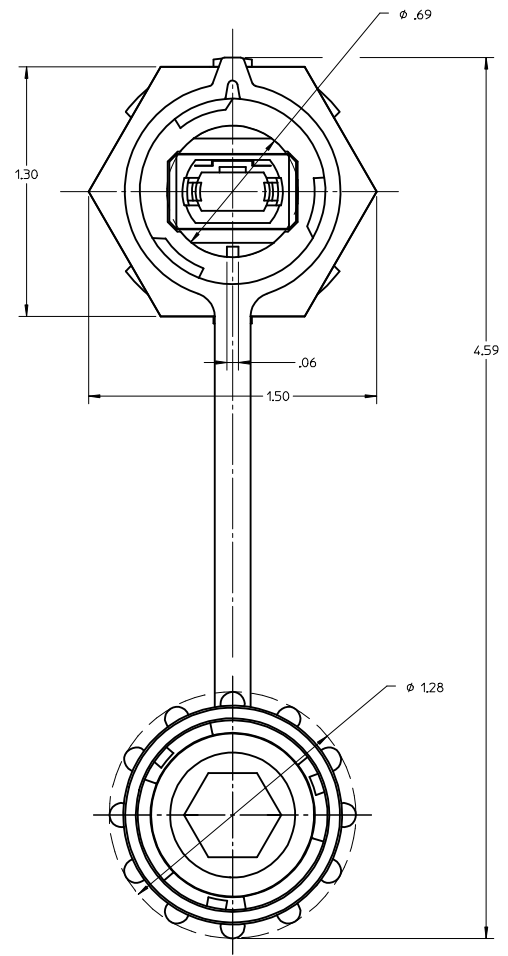
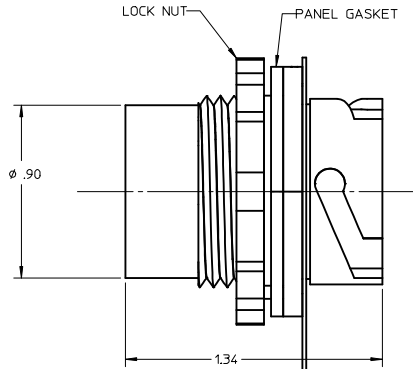
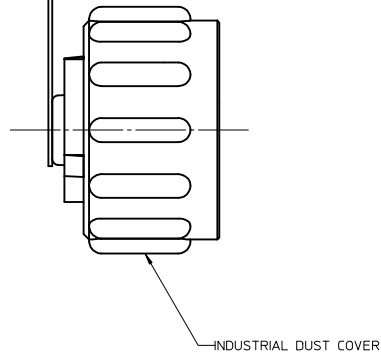


ISOMETRIC VIEW  
SCALE: 1:1



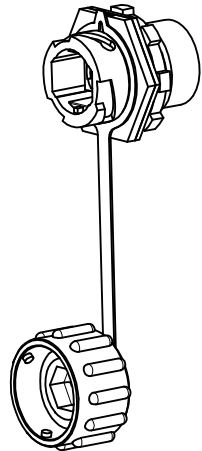
RECOMMENDED MOUNTING CUTOUT  
SCALE: 1:1



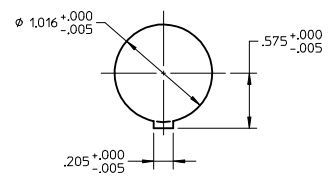
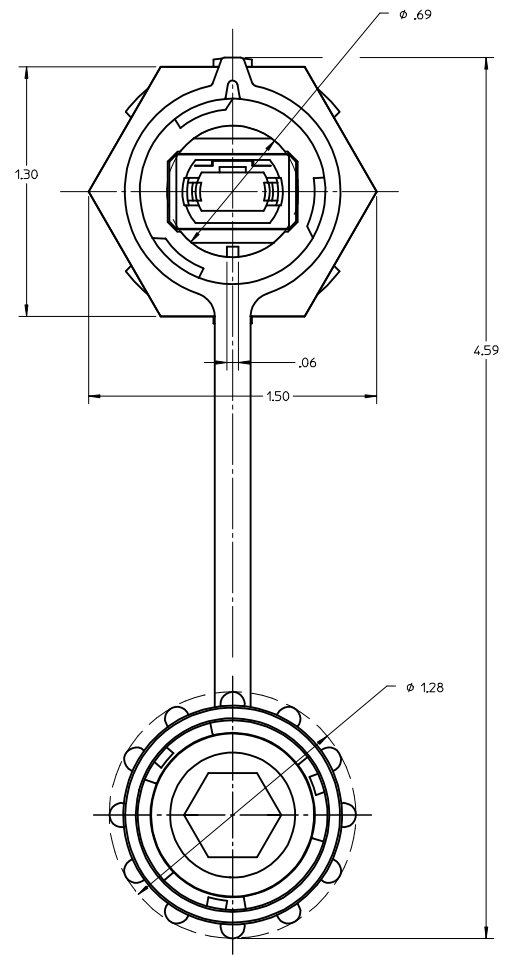
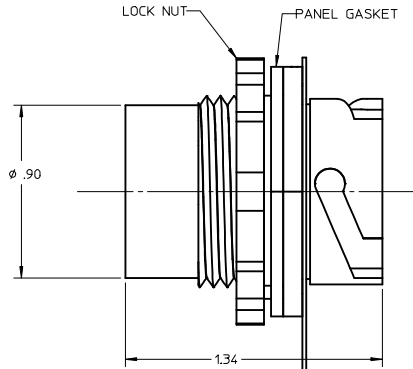
INDUSTRIAL DUST COVER

NOTE:  
ALL DIMENSIONS ARE FOR REFERENCE ONLY.

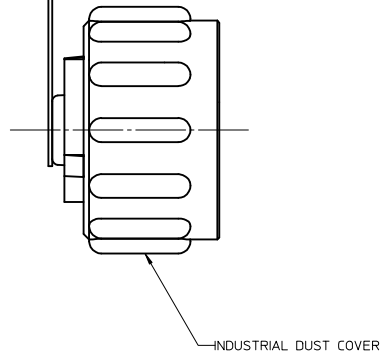
ENTER DESCRIPTION EC NO: MF2007-0002 DRWING: DBAL TRUKON IS 2006/07/07 CHKD: 2006/07/07 APPR: IGJMIN 2006/07/07 REV A	QUALITY SYMBOLS ▽=0 ▽=0	GENERAL TOLERANCES (UNLESS SPECIFIED) <table border="1"> <tr> <td></td> <td>mm</td> <td>INCH</td> </tr> <tr> <td>4 PLACES</td> <td>± .005</td> <td>± .0005</td> </tr> <tr> <td>3 PLACES</td> <td>± .005</td> <td>± .0005</td> </tr> <tr> <td>2 PLACES</td> <td>± .005</td> <td>± .0005</td> </tr> <tr> <td>1 PLACE</td> <td>± .005</td> <td>± .0005</td> </tr> </table>		mm	INCH	4 PLACES	± .005	± .0005	3 PLACES	± .005	± .0005	2 PLACES	± .005	± .0005	1 PLACE	± .005	± .0005	DIMENSION STYLE INCH ONLY DRAWN BY DATE D.B. 2006/6/30 CHECKED BY DATE	SCALE 2:1 DESIGN UNITS INCH THIRD ANGLE PROJECTION	TITLE MTP INDUSTRIAL ADAPTER
		mm	INCH																	
	4 PLACES	± .005	± .0005																	
	3 PLACES	± .005	± .0005																	
2 PLACES	± .005	± .0005																		
1 PLACE	± .005	± .0005																		
DRAFT WHERE APPLICABLE MUST REMAIN WITHIN DIMENSIONS	APPROVED BY DATE I.G. 2006/6/30	MATERIAL NO. 1060596200	DOCUMENT NO. SD-106059-6200	SHEET NO. 1 OF 1	MOLEX INCORPORATED															
SIZE C	THIS DRAWING CONTAINS INFORMATION THAT IS PROPRIETARY TO MOLEX INCORPORATED AND SHOULD NOT BE USED WITHOUT WRITTEN PERMISSION																			



ISOMETRIC VIEW  
SCALE: 1:1



RECOMMENDED MOUNTING CUTOUT  
SCALE: 1:1



INDUSTRIAL DUST COVER

NOTE:  
ALL DIMENSIONS ARE FOR REFERENCE ONLY.

<b>ENTER DESCRIPTION</b> EC NO: MF2007-0002 DRWING: DBAL TRUKON IS 2006/07/07 CHKD: 2006/07/07 APPR: IGJMIN 2006/07/07 REV: A	<b>QUALITY SYMBOLS</b> ▽=0 ▽=0	<b>GENERAL TOLERANCES (UNLESS SPECIFIED)</b>		<b>DIMENSION STYLE</b> INCH ONLY	<b>SCALE</b> 2:1	<b>DESIGN UNITS</b> INCH	THIRD ANGLE PROJECTION		
		4 PLACES ± --- ± --- 3 PLACES ± --- ± --- 2 PLACES ± --- ± --- 1 PLACE ± --- ± ---	mm INCH	DRAWN BY D.B.	DATE 2006/6/30	<b>TITLE</b> MTP INDUSTRIAL ADAPTER			
		ANGULAR ±1/2°		CHECKED BY DATE	APPROVED BY I.G.	DATE 2006/6/30	MOLEX INCORPORATED		
		DRAFT WHERE APPLICABLE MUST REMAIN WITHIN DIMENSIONS		MATERIAL NO. 1060596200	DOCUMENT NO. SD-106059-6200	SHEET NO. 1 OF 1			

THIS DRAWING CONTAINS INFORMATION THAT IS PROPRIETARY TO MOLEX INCORPORATED AND SHOULD NOT BE USED WITHOUT WRITTEN PERMISSION