

- 1
- 2
- 3
- 4
- 5
- 6
- 7
- 8
- 9
- 10
- 11
- 12
- 13
- 14
- 15
- 16
- 17
- 18

**MATERIAL**

Die-cast zinc alloy.

**STANDARD EXECUTIONS**

- **CMN-SR**: epoxy resin coating, RAL 9006 light grey colour, matte finish.
- **CMN-SW**: epoxy resin coating, RAL 9005 black colour, matte finish.

**WASHER**

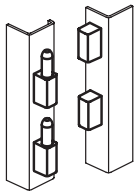
Polyamide based (PA) technopolymer.

**FEATURES AND APPLICATIONS**

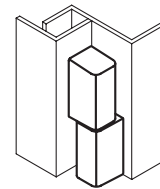
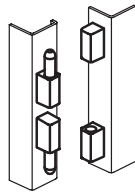
The load values shown in the table have to be considered as purely indicative and must be verified under the specific conditions of use.



Mounting with removable door



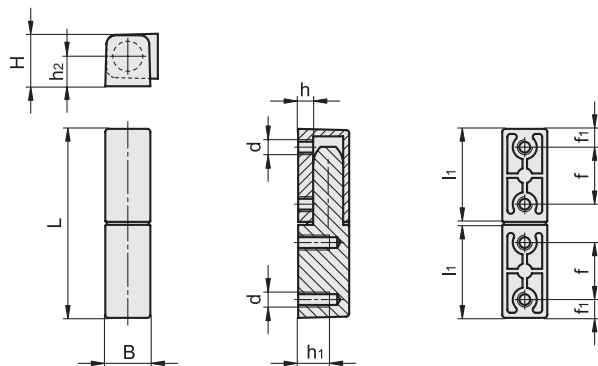
Mounting with fixed door



Resistance tests	Axial Stress	Radial Stress
Description	[N]	[N]
CMN-15-63	1500	2300

**Conversion Table**  
1 mm = 0.039 inch

B	
mm	inch
15	0.59



METRIC

Code	Description	L	B	d	f	f1	H	h	h1	h2	l1	ΔΔ
428751	CMN-15-63-SR	63	15	M5	19	6.1	17	5	10	10	31	80
428753	CMN-15-63-SW	63	15	M5	19	6.1	17	5	10	10	31	80

Hinges and accessories