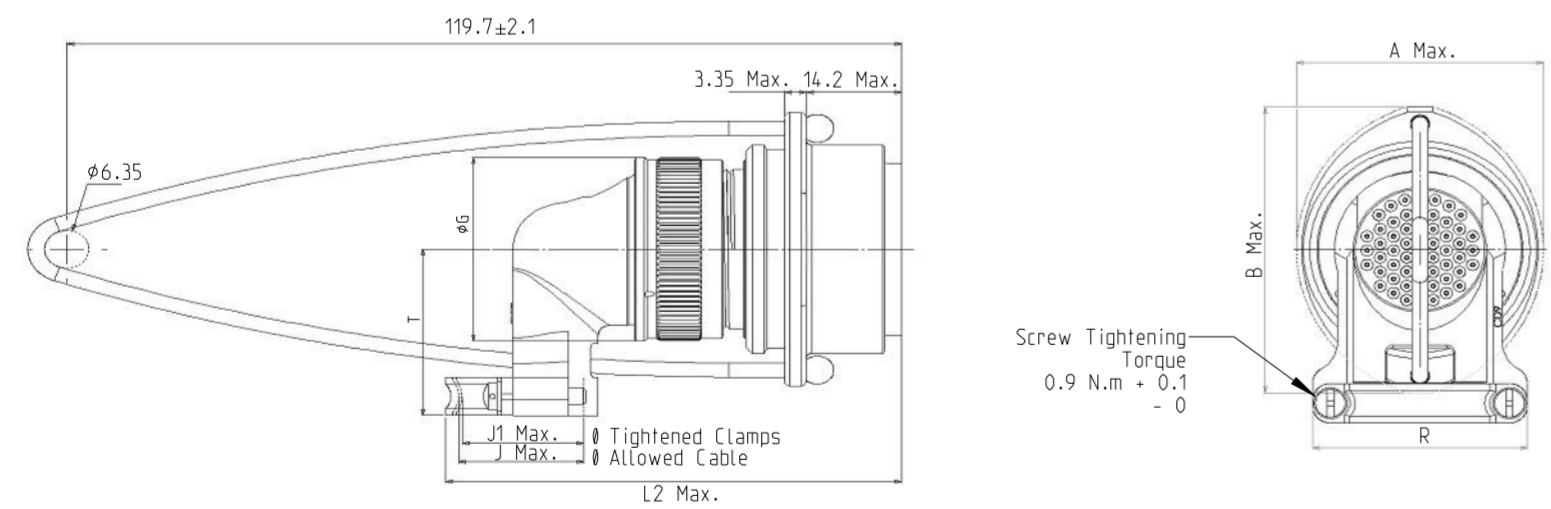


- 1A Without nut
059 Straight cable clamp
081 Elbowed cable clamp
090 Without contact
395 Kerosene-resistant insert
A083 Potting cup
A838 Olive drab cadmium
***** For other modifications, consult TE.

CHARACTERISTICS

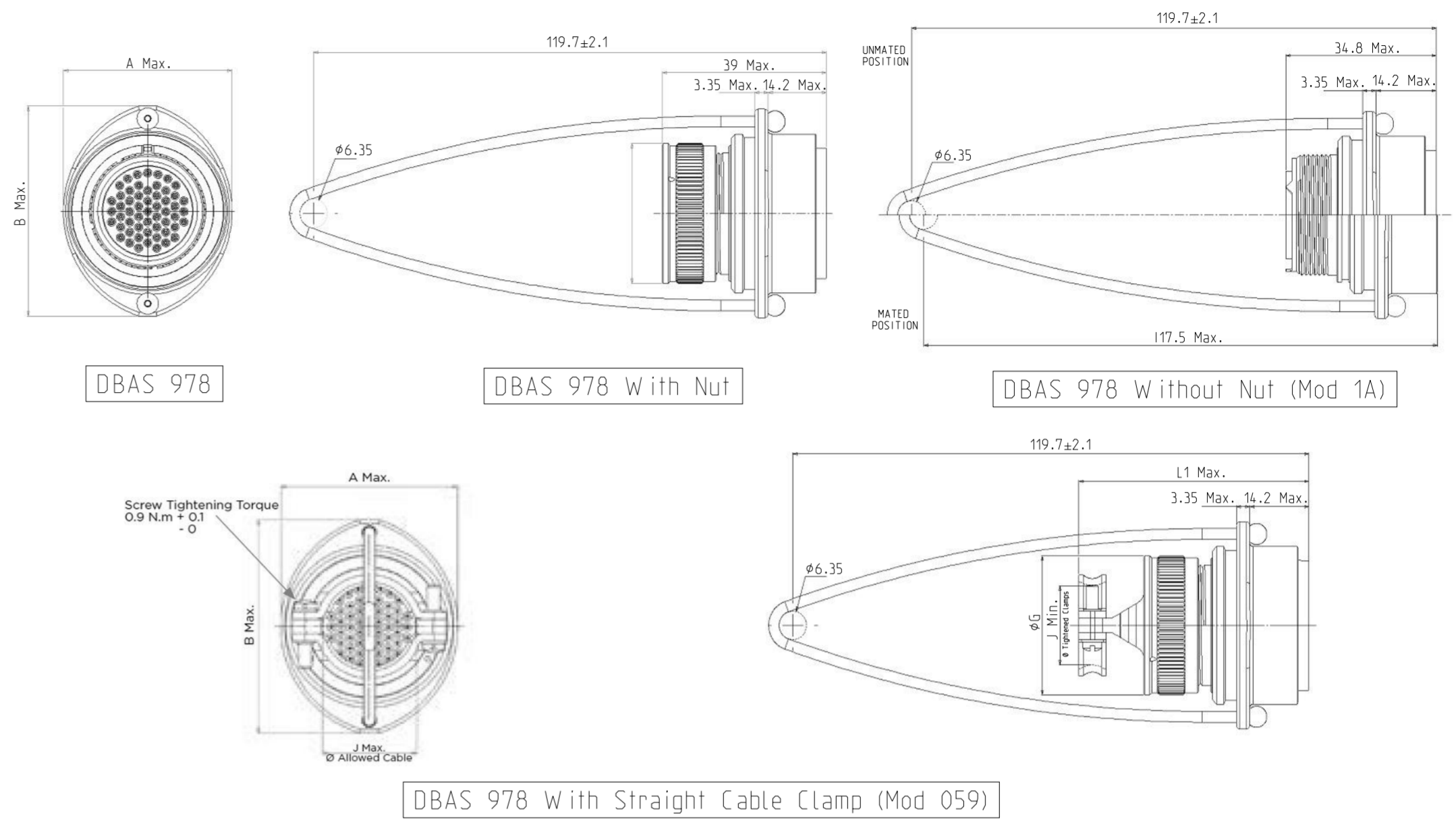
1. Shell Material : Aluminium alloy, Nickel plated.
2. RFI ring Material : Beryllium Copper, Nickel plated.
3. Insert Material : Thermoplastic and Fluorinated silicone
4. Contact : Crimp Type, Gold over Nickel plated.
5. Service Temperature : -55°C to +200°C

DBAS 978-WITH ELBOWED CABLE CLAMP (MOD 081)



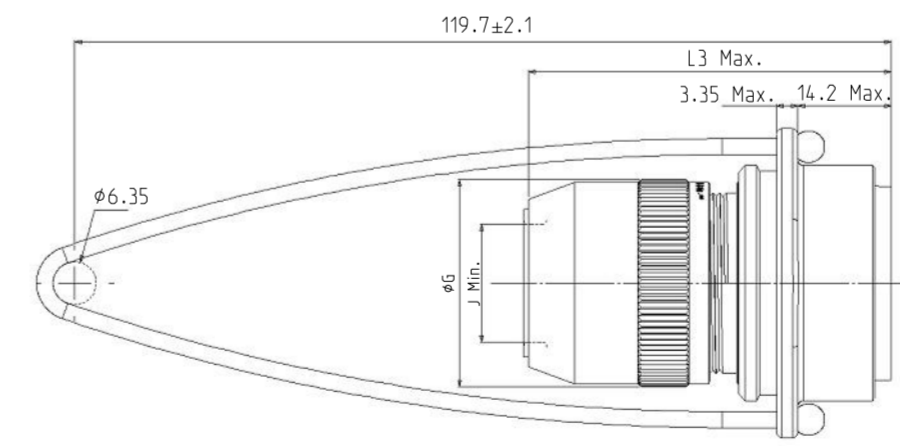
| Part Number with Elbowed Cable Clamp | A Max | B Max | G Max | J Max | J1 Max | L2 Max | R Max | T Max |
|--------------------------------------|-------|-------|-------|-------|--------|--------|-------|-------|
| DBAS 978-09-** P/S * 081 | 23.3 | 31.85 | 17 | 6.6 | 5.15 | 52 | 17.4 | 21.4 |
| DBAS 978-11-** P/S * 081 | 26.8 | 35.65 | 21.8 | 12.75 | 10.55 | 57.1 | 23.6 | 23.8 |
| DBAS 978-13-** P/S * 081 | 29.6 | 38.7 | 25 | 14.6 | 12.05 | 59.4 | 25.5 | 25.3 |
| DBAS 978-15-** P/S * 081 | 33.55 | 42.5 | 28.25 | 17.8 | 15.85 | 62.8 | 29.7 | 26.8 |
| DBAS 978-17-** P/S * 081 | 37.2 | 46.2 | 30.95 | 19.8 | 17.95 | 66.1 | 32.6 | 28.3 |
| DBAS 978-19-** P/S * 081 | 37.2 | 46.2 | 30.95 | 19.8 | 17.95 | 66.1 | 32.6 | 28.3 |
| DBAS 978-21-** P/S * 081 | 40.7 | 48.45 | 34.15 | 23 | 21.05 | 69.5 | 36 | 29.9 |
| DBAS 978-23-** P/S * 081 | 47.85 | 56.6 | 42 | 30.1 | 27.45 | 76.1 | 42.8 | 33.5 |
| DBAS 978-25-** P/S * 081 | 47.85 | 56.6 | 42 | 30.1 | 27.45 | 76.1 | 42.8 | 33.5 |

DBAS 978-WITH HEAVY DUTY LANYARD / WITH STRAIGHT CABLE CLAMP



| Part Number | Part Number without Nut | Part Number with Straight Cable Clamp | A Max | B Max | G Max | With Straight Cable Clamp | | |
|--------------------|-------------------------|---------------------------------------|-------|-------|-------|---------------------------|--------|--------|
| | | | | | | J Max | J1 Max | L1 Max |
| DBAS 978-09-** P/S | DBAS 978-09-** P/S 1A | DBAS 978-09-** P/S 059 | 23.3 | 31.85 | 17 | 6.6 | 5.15 | 48 |
| DBAS 978-11-** P/S | DBAS 978-11-** P/S 1A | DBAS 978-11-** P/S 059 | 26.8 | 35.65 | 21.8 | 12.75 | 10.55 | 48 |
| DBAS 978-13-** P/S | DBAS 978-13-** P/S 1A | DBAS 978-13-** P/S 059 | 29.6 | 38.7 | 25 | 14.6 | 12.05 | 54 |
| DBAS 978-15-** P/S | DBAS 978-15-** P/S 1A | DBAS 978-15-** P/S 059 | 33.55 | 42.5 | 28.25 | 17.8 | 15.85 | 54 |
| DBAS 978-17-** P/S | DBAS 978-17-** P/S 1A | DBAS 978-17-** P/S 059 | 37.2 | 46.2 | 30.95 | 19.8 | 17.95 | 54 |
| DBAS 978-19-** P/S | DBAS 978-19-** P/S 1A | DBAS 978-19-** P/S 059 | 37.2 | 46.2 | 30.95 | 19.8 | 17.95 | 54 |
| DBAS 978-21-** P/S | DBAS 978-21-** P/S 1A | DBAS 978-21-** P/S 059 | 40.7 | 48.45 | 34.15 | 23 | 21.05 | 54 |
| DBAS 978-23-** P/S | DBAS 978-23-** P/S 1A | DBAS 978-23-** P/S 059 | 47.85 | 56.6 | 42 | 30.1 | 27.45 | 54 |
| DBAS 978-25-** P/S | DBAS 978-25-** P/S 1A | DBAS 978-25-** P/S 059 | 47.85 | 56.6 | 42 | 30.1 | 27.45 | 54 |

DBAS 978-WITH POTTING CUP (MOD A083)



| Part Number with Potting Cup | A Max | B Max | G Max | J Min | J1 Max | L3 Max |
|------------------------------|-------|-------|-------|-------|--------|--------|
| DBAS 978-09-** P/S * A083 | 23.3 | 31.85 | 17 | 6.6 | 5.15 | 48 |
| DBAS 978-11-** P/S * A083 | 26.8 | 35.65 | 21.8 | 12.75 | 10.55 | 48 |
| DBAS 978-13-** P/S * A083 | 29.6 | 38.7 | 25 | 14.6 | 12.05 | 53.6 |
| DBAS 978-15-** P/S * A083 | 33.55 | 42.5 | 28.25 | 17.8 | 15.85 | 53.6 |
| DBAS 978-17-** P/S * A083 | 37.2 | 46.2 | 30.95 | 19.8 | 17.95 | 53.6 |
| DBAS 978-19-** P/S * A083 | 37.2 | 46.2 | 30.95 | 19.8 | 17.95 | 53.6 |
| DBAS 978-21-** P/S * A083 | 40.7 | 48.45 | 34.15 | 23 | 21.05 | 53.6 |
| DBAS 978-23-** P/S * A083 | 47.85 | 56.6 | 42 | 30.1 | 27.45 | 53.6 |
| DBAS 978-25-** P/S * A083 | 47.85 | 56.6 | 42 | 30.1 | 27.45 | 53.6 |

| | | | | |
|-----|---------------------|------|-----|------|
| A | PRELIMINARY RELEASE | - | MB | RS |
| LTR | REVISION RECORD | DATE | DWN | APVD |

DIMENSIONS: mm

TOLERANCES UNLESS OTHERWISE SPECIFIED:

| | |
|-------|---------|
| 0 PLC | ± |
| 1 PLC | ±0.1 |
| 2 PLC | ±0.01 |
| 3 PLC | ±0.001 |
| 4 PLC | ±0.0001 |

ANGLE: -

SURFACE TEXTURE: √

| | | | | | |
|-------|---------------------------------------|----------|----|------------|-------------|
| DWN | 22NOV2021 | MATERIAL | - | HEAT TREAT | - |
| CHK | 22NOV2021 | | | | |
| APVD | 23NOV2021 | | | | |
| NAME | DBAS 978_PLUG WITH HEAVY DUTY LANYARD | | | | |
| SCALE | 1:1 | SIZE | A2 | DRAWING NO | DBAS-978-XX |
| SHEET | 1 | OF | 1 | REV | 1 |

THIS INFORMATION IS CONFIDENTIAL AND PROPRIETARY TO TE CONNECTIVITY LTD. AND ITS WORLDWIDE SUBSIDIARIES AND AFFILIATES (TE). IT MAY NOT BE DISCLOSED TO ANYONE, OTHER THAN TE PERSONNEL, WITHOUT AUTHORIZATION FROM TE (www.te.com).